

Sandwich Prep Tables

- Prep tables offer an all-in-one design solution for salad, sandwich and meal prep.
- Our trusted Sandwich Prep Tables give staff the confidence of keeping ingredients fresh.
- Casters (2 locking) included for easy mobility.
- Features a full-length white polythene cutting board that provides a dedicated space to prep ingredients.



UCSP127-SS11A



UCSP132-SS11A



UCSP148-SS61A



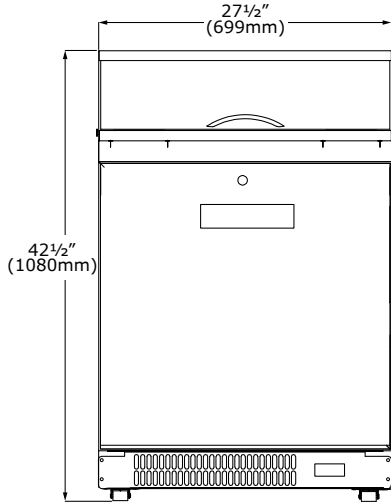
UCSP160-SS61A

Model	Description	Voltage/Hz/Phase/Amps	Shipping Weight
UCSP127-SS11A	27" Sandwich Prep Table (1 Door)	115v / 60hz / 1 / 3.4	242 lb
UCSP132-SS11A	32" Sandwich Prep Table (1 Door)	115v / 60hz / 1 / 3.4	264 lb
UCSP148-SS61A	48" Sandwich Prep Table (2 Doors)	115v / 60hz / 1 / 3.4	375 lb
UCSP160-SS61A	60" Sandwich Prep Table (2 Doors)	115v / 60hz / 1 / 3.4	462 lb

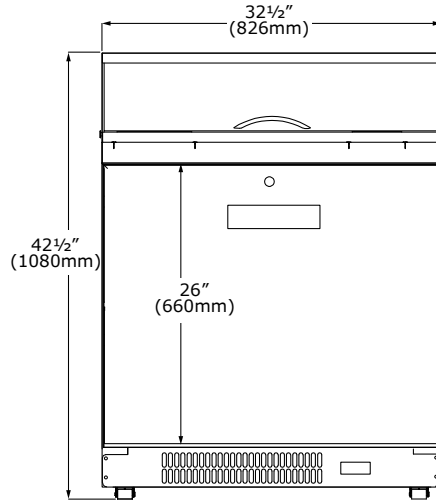
Specifications

UCSP127-SS11A: 27 ½" W X 35 ½" D X 42 ½" H
UCSP132-SS11A: 32 ½" W X 35 ½" D X 42 ½" H
UCSP148-SS61A: 48" W X 35 ½" D X 42 ½" H
UCSP160-SS61A: 60 ½" W X 35 ½" D X 42 ½" H
UCSP127-SS11A: 1 PVC coated wire shelf (included with purchase) holds (1) 12" x 20" pan and (3) ½ pans, pan rail holds (8) ½ pans
UCSP132-SS11A: 1 PVC coated wire shelf (included with purchase) holds (2) 12" x 20" pans, pan rail holds (8) ½ pans
UCSP148-SS61A: 2 PVC coated wire shelves (included with purchase) each hold (1) 12" x 20" pan and (3) ½ pans, pan rail holds (12) ½ pans
UCSP160-SS61A: 2 PVC coated wire shelves (included with purchase) each hold (1) 12" x 20" pan, (3) ½ pans and (3) ½ pans, pan rail holds (16) ½ pans
AISI 304 stainless steel interior and exterior
Autodefrost
CFC-free high-density polyurethane insulated cabinet
Electronic digital temperature control with alarms
Environmentally friendly R290 refrigerant
Factory pre-wired for dedicated outlet, 10 ft cord and plug included NEMA 5-15P
High efficiency compressor, side mount
High efficiency evaporator coil & condenser
NSF/ANSI Standard 7 compliant
Pan rail accommodates either 4" or 6" tall pans
Self-lubricating, sealed cast iron evaporator fan motor with high volume airflow design
Temperature range: 28°F to 46°F

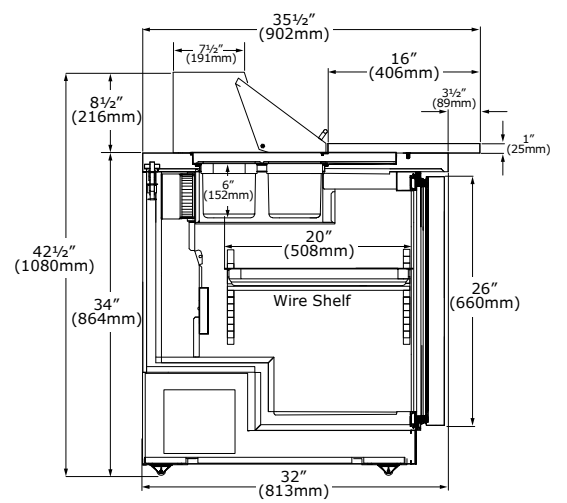
Front (UCSP127-SS11A)



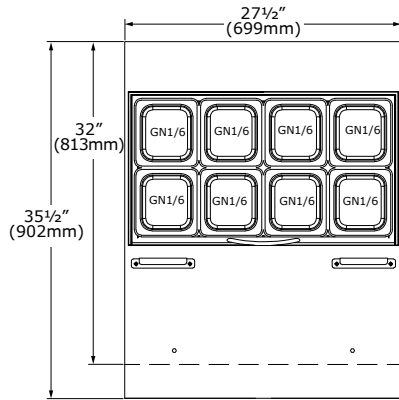
Front (UCSP132-SS11A)



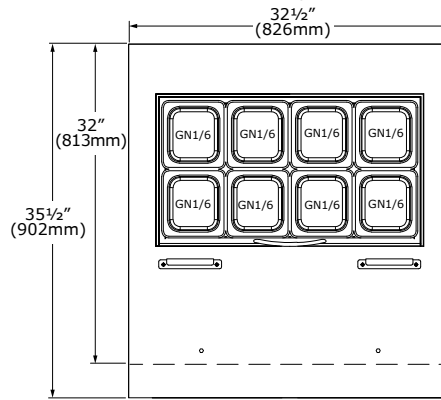
Side (All Models)



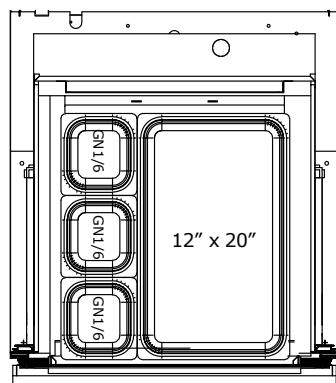
Top Rail (UCSP127-SS11A)



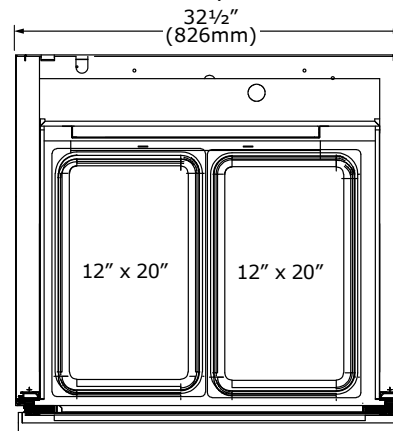
Top Rail (UCSP132-SS11A)



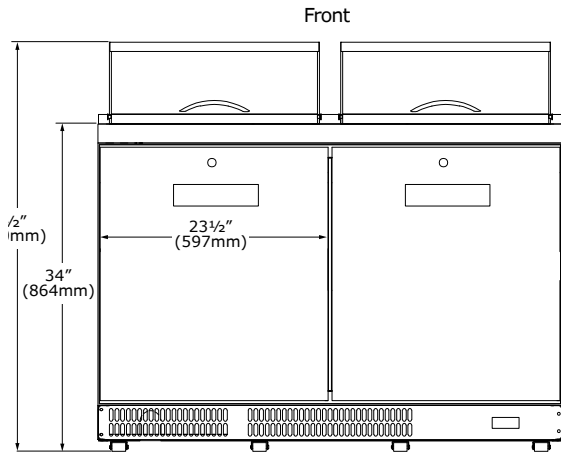
Door Interior (UCSP127-SS11A)



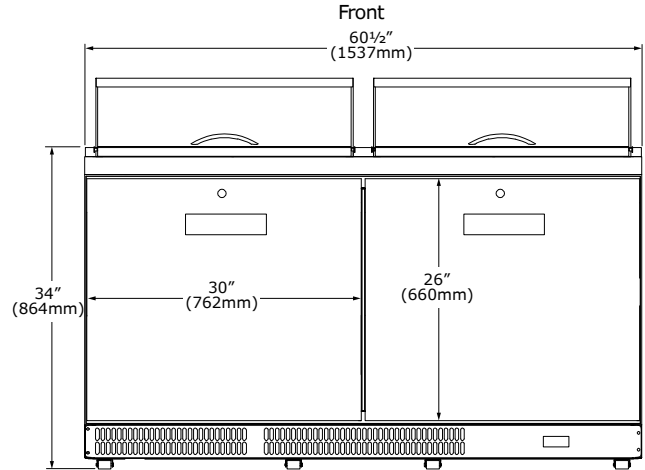
Door Interior (UCSP132-SS11A)



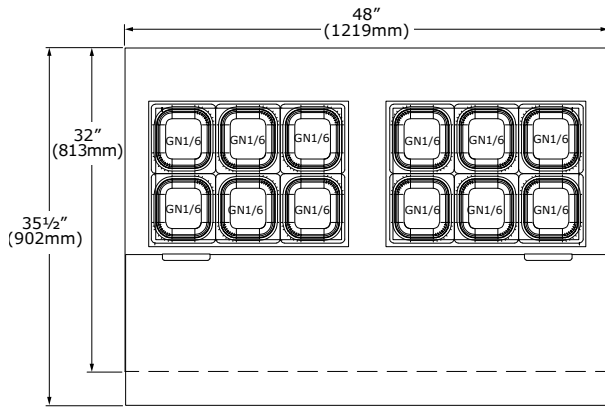
Front (UCSP148-SS61A)



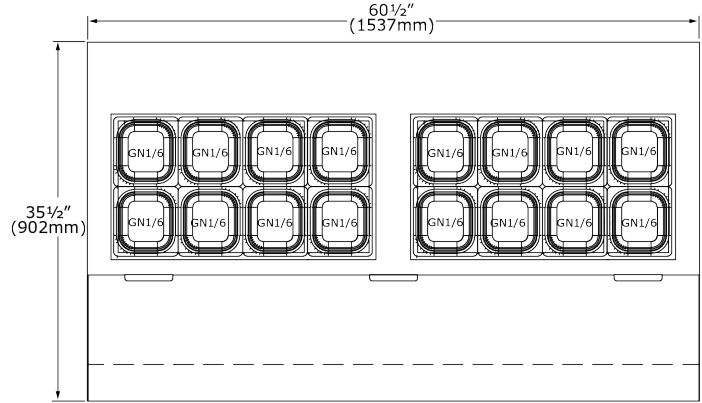
Front (UCSP160-SS61A)



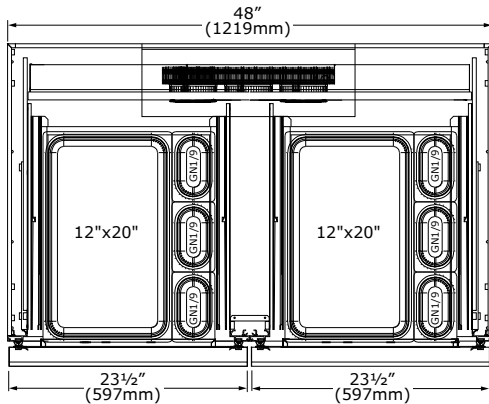
Top Rail (UCSP148-SS61A)



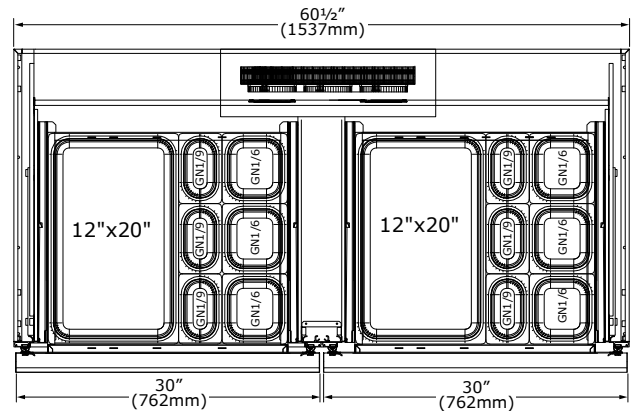
Top Rail (UCSP160-SS61A)



Door Interior (UCSP148-SS61A)



Door Interior (UCSP160-SS61A)



Commercial Warranty

3 Year (parts & labor) / 5 year sealed system (parts)
See complete warranty for details

