

## Refrigerated Mega Tops with Drawers

- Mega Tops offer an all-in-one design solution for salad, sandwich and meal prep.
- Our trusted Mega Tops give staff the confidence of keeping ingredients fresh.
- Casters (2 locking) included for easy mobility.
- Features a full-length white polythene cutting board that provides a dedicated space to prep ingredients.



UCMT127-SS91A



UCMT132-SS91A



UCMT148-SS91A



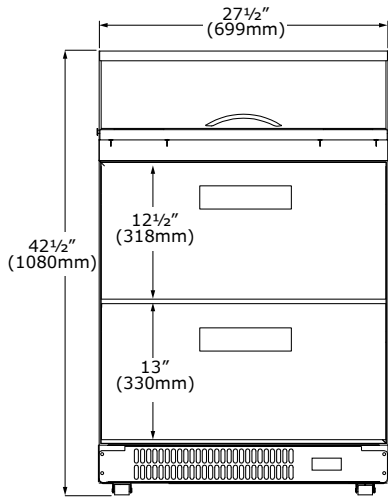
UCMT160-SS91A

Model	Description	Voltage/Hz/Phase/Amps	Shipping Weight
UCMT127-SS91A	27" Refrigerated Mega Top (2 Drawers)	115v / 60hz / 1 / 3.4	264 lb
UCMT132-SS91A	32" Refrigerated Mega Top (2 Drawers)	115v / 60hz / 1 / 3.4	286 lb
UCMT148-SS91A	48" Refrigerated Mega Top (4 Drawers)	115v / 60hz / 1 / 3.4	408 lb
UCMT160-SS91A	60" Refrigerated Mega Top (4 Drawers)	115v / 60hz / 1 / 3.4	507 lb

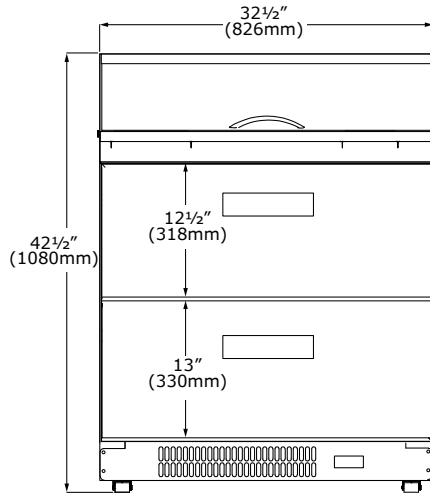
### Specifications

UCMT127-SS91A: 27 1/2" W X 35 1/2" D X 42 1/2" H
UCMT132-SS91A: 32 1/2" W X 35 1/2" D X 42 1/2" H
UCMT148-SS91A: 48" W X 35 1/2" D X 42 1/2" H
UCMT160-SS91A: 60 1/2" W X 35 1/2" D X 42 1/2" H
UCMT127-SS91A: Each drawer holds (1) 12" x 20" pan and (3) 1/6 pans, pan rail holds (12) 1/6 pans
UCMT132-SS91A: Each drawer holds (2) 12"x 20" pans, pan rail holds (12) 1/6 pans
UCMT148-SS91A: Each drawer holds (1) 12" x 20" pan and (3) 1/9 pans, pan rail holds (18) 1/6 pans
UCMT160-SS91A: Each drawer holds (1) 12" x 20" pan, (3) 1/6 pans and (3) 1/9 pans, pan rail holds (24) 1/6 pans
AISI 304 stainless steel interior and exterior
Autodefrosts
Bottom drawer accommodates 4" tall pans
CFC-free high-density polyurethane insulated cabinet
Electronic digital temperature control with alarms
Environmentally friendly R290 refrigerant
Factory pre-wired for dedicated outlet, 10 ft cord and plug included NEMA 5-15P
High efficiency compressor, side mount
High efficiency evaporator coil & condenser
NSF/ANSI Standard 7 compliant
Pan rail accommodates either 4" or 6" tall pans
Self-lubricating, sealed cast iron evaporator fan motor with high volume airflow design
Temperature range: 28°F to 46°F
Top drawer accommodates 6" tall pans

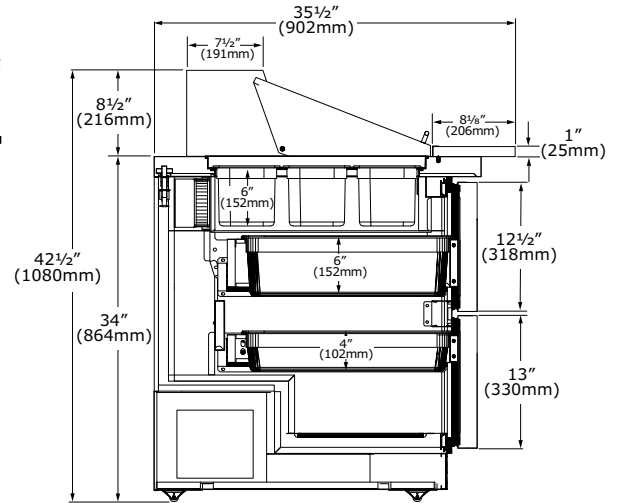
**Front (UCMT127-SS91A)**



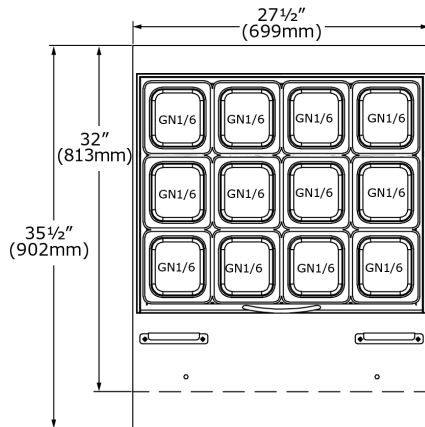
**Front (UCMT132-SS91A)**



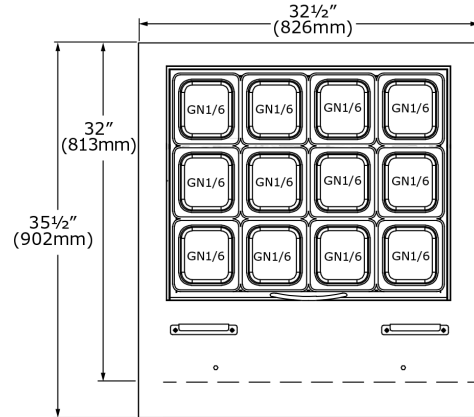
**Side (All Models)**



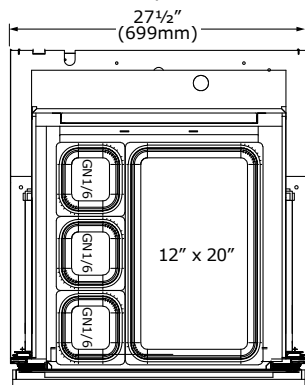
**Top Rail (UCMT127-SS91A)**



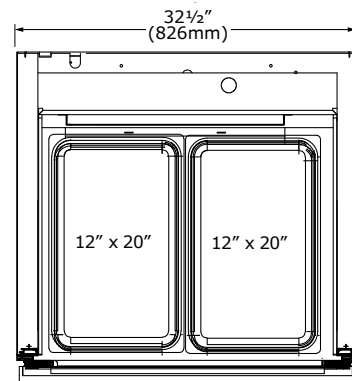
**Top Rail (UCMT132-SS91A)**



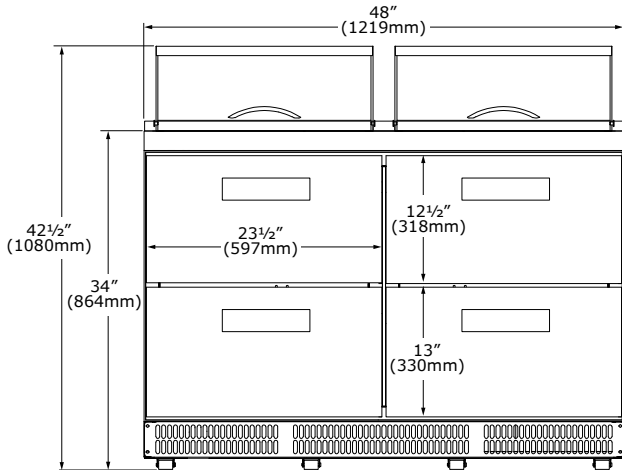
**Drawer Interior (UCMT127-SS91A)**



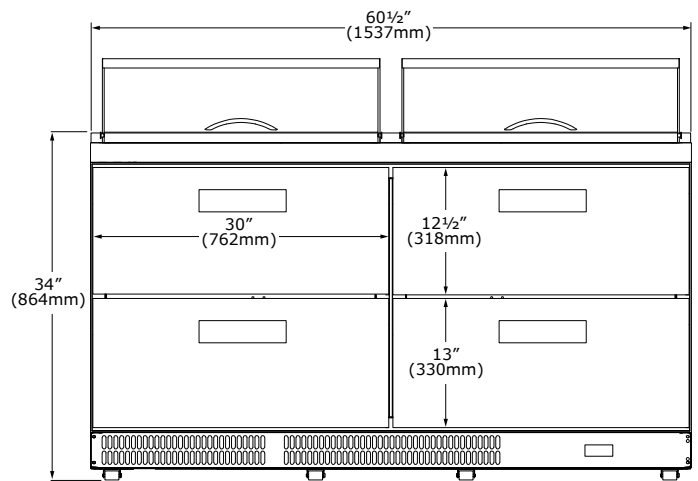
**Drawer Interior (UCMT132-SS91A)**



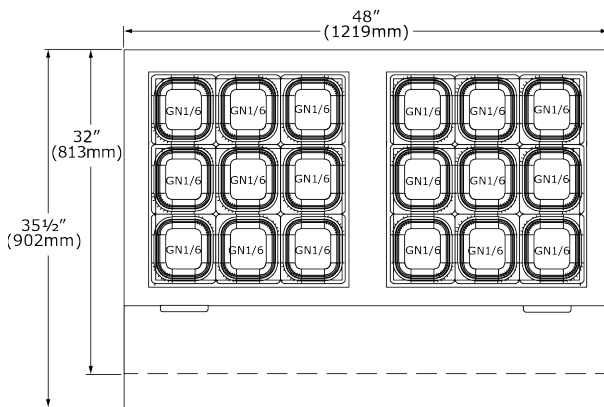
**Front (UCMT148-SS91A)**



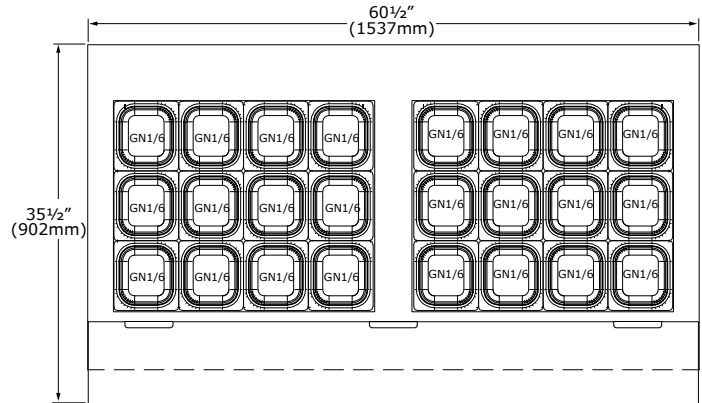
**Front (UCMT160-SS91A)**



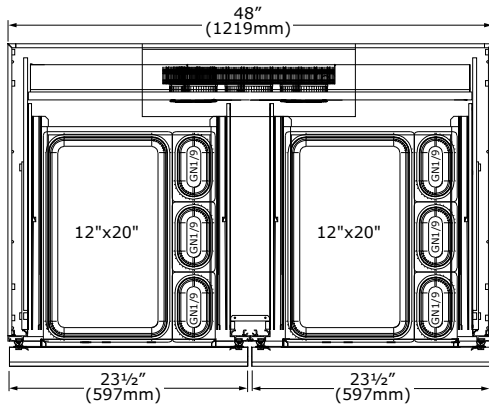
**Top Rail (UCMT148-SS91A)**



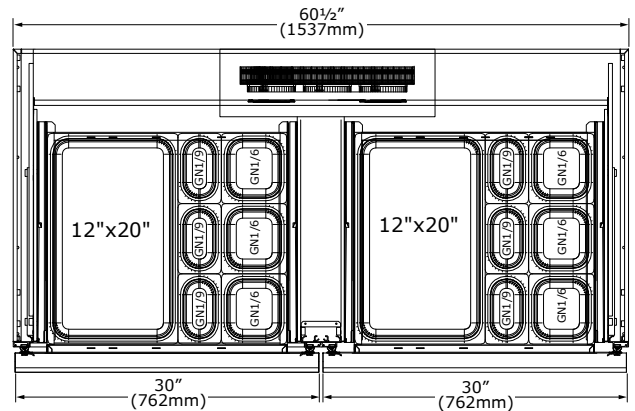
**Top Rail (UCMT160-SS91A)**



**Drawer Interior (UCMT148-SS91A)**



**Drawer Interior (UCMT160-SS91A)**



**Commercial Warranty**

3 Year (parts & labor) / 5 year sealed system (parts)  
See complete warranty for details

