

Sandwich Prep Tables with Drawers

- Prep tables offer an all-in-one design solution for salad, sandwich and meal prep.
- Our trusted Sandwich Prep Tables give staff the confidence of keeping ingredients fresh.
- Casters (2 locking) included for easy mobility.
- Features a full-length white polythene cutting board that provides a dedicated space to prep ingredients.



UCSP127-SS91A



UCSP132-SS91A



UCSP148-SS91A



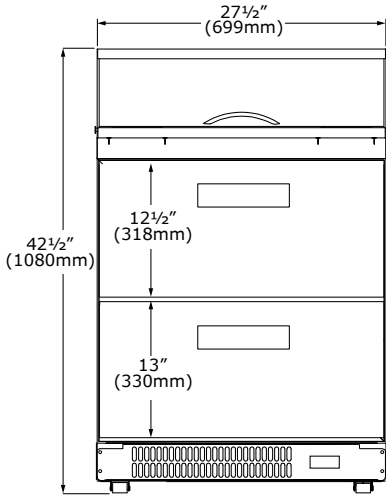
UCSP160-SS91A

Model	Description	Voltage/Hz/Phase/Amps	Shipping Weight
UCSP127-SS91A	27" Sandwich Prep Table (2 Drawers)	115v / 60hz / 1 / 3.4	264 lb
UCSP132-SS91A	32" Sandwich Prep Table (2 Drawers)	115v / 60hz / 1 / 3.4	286 lb
UCSP148-SS91A	48" Sandwich Prep Table (4 Drawers)	115v / 60hz / 1 / 3.4	408 lb
UCSP160-SS91A	60" Sandwich Prep Table (4 Drawers)	115v / 60hz / 1 / 3.4	507 lb

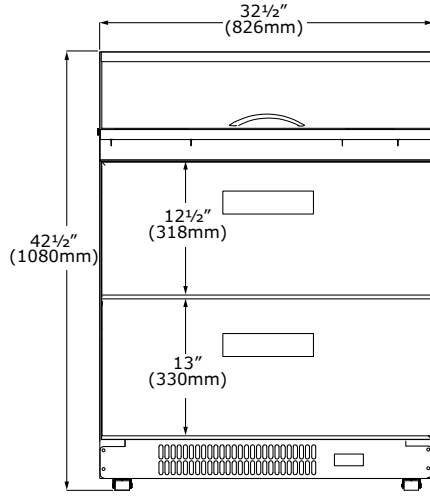
Specifications

UCSP127-SS91A: 27 ½" W X 35 ½" D X 42 ½" H
UCSP132-SS91A: 32 ½" W X 35 ½" D X 42 ½" H
UCSP148-SS91A: 48" W X 35 ½" D X 42 ½" H
UCSP160-SS91A: 60 ½" W X 35 ½" D X 42 ½" H
UCSP127-SS91A: Each drawer holds (1) 12" x 20" pan and (3) ¼ pans, pan rail holds (8) ¼ pans
UCSP132-SS91A: Each drawer holds (2) 12"x 20" pans, pan rail holds (8) ¼ pans
UCSP148-SS91A: Each drawer holds (1) 12" x 20" pan and (3) ¼ pans, pan rail holds (12) ¼ pans
UCSP160-SS91A: Each drawer holds (1) 12" x 20" pan, (3) ¼ pans and (3) ¼ pans, pan rail holds (16) ¼ pans
AISI 304 stainless steel interior and exterior
Autodefrosts
Bottom drawer accommodates 4" tall pans
CFC-free high-density polyurethane insulated cabinet
Electronic digital temperature control with alarms
Environmentally friendly R290 refrigerant
Factory pre-wired for dedicated outlet, 10 ft cord and plug included NEMA 5-15P
High efficiency compressor, side mount
High efficiency evaporator coil & condenser
NSF/ANSI Standard 7 compliant
Pan rail accommodates either 4" or 6" tall pans
Self-lubricating, sealed cast iron evaporator fan motor with high volume airflow design
Temperature range: 28°F to 46°F
Top drawer accommodates 6" tall pans

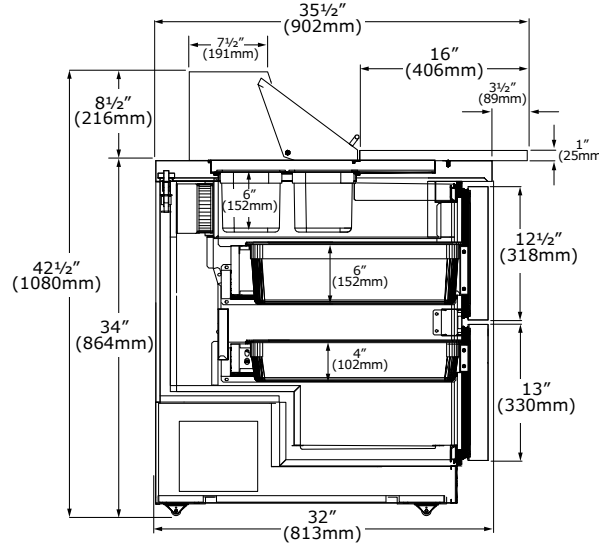
Front (UCSP127-SS91A)



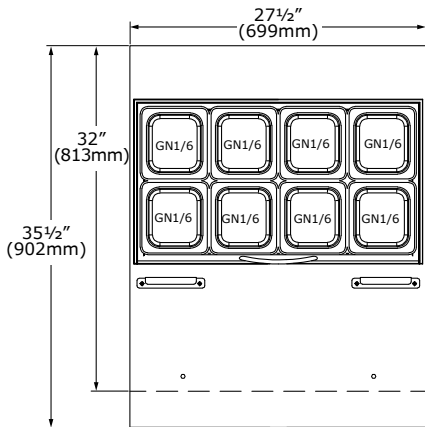
Front (UCSP132-SS91A)



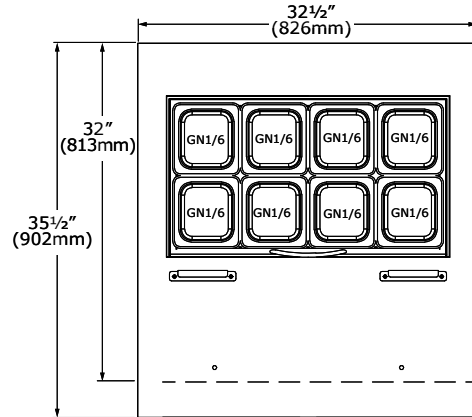
Side (All Models)



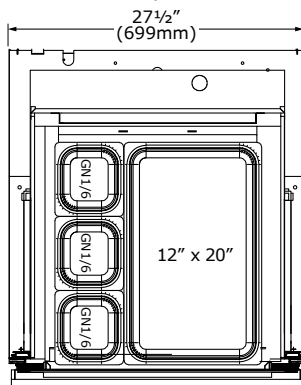
Top Rail (UCSP127-SS91A)



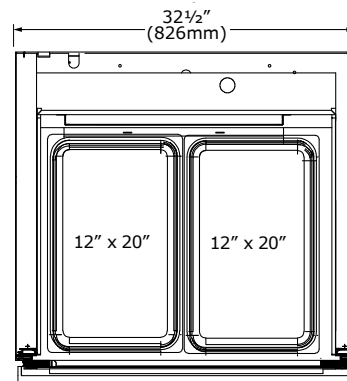
Top Rail (UCSP132-SS91A)



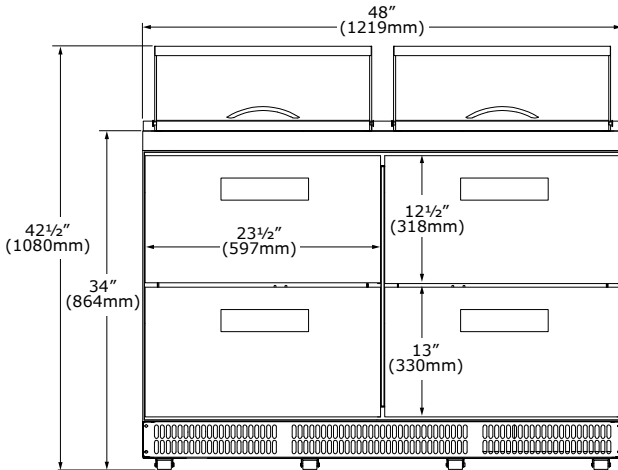
Drawer Interior (UCSP127-SS91A)



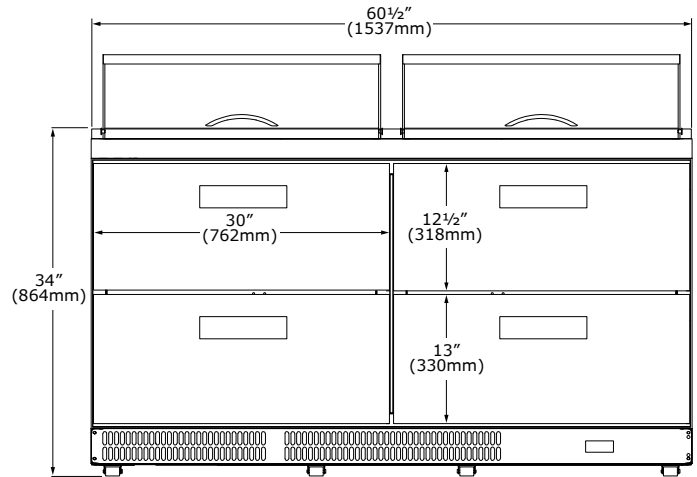
Drawer Interior (UCSP132-SS91A)



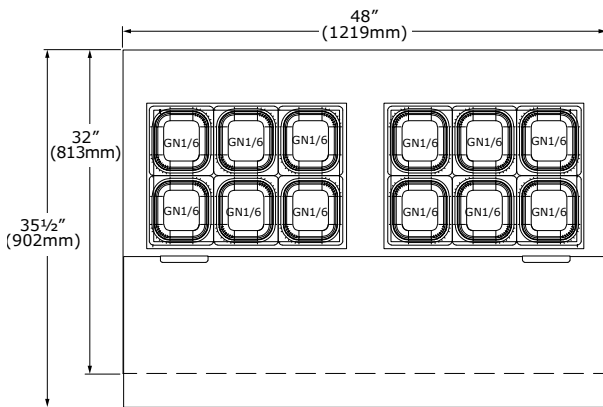
Front (UCSP148-SS91A)



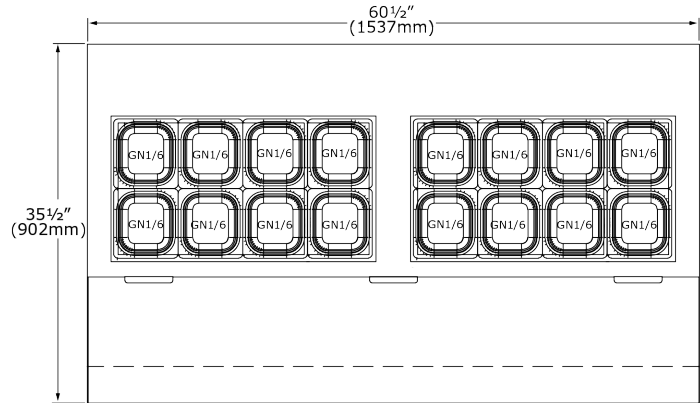
Front (UCSP160-SS91A)



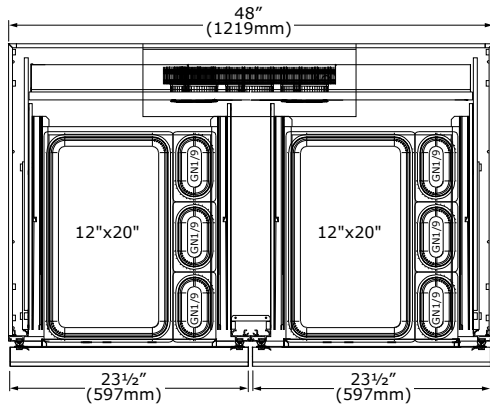
Top Rail (UCSP148-SS91A)



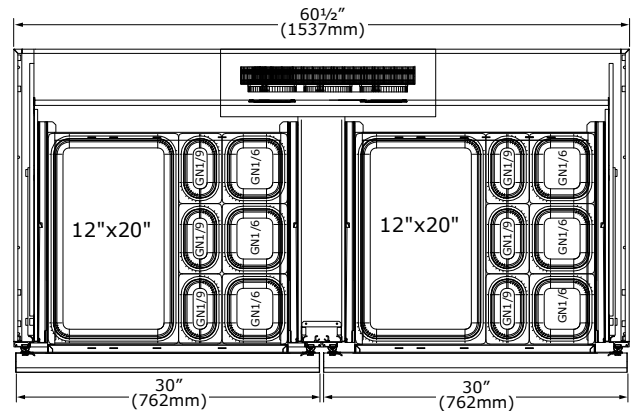
Top Rail (UCSP160-SS91A)



Drawer Interior (UCSP148-SS91A)



Drawer Interior (UCSP160-SS91A)



Commercial Warranty

3 Year (parts & labor) / 5 year sealed system (parts)
See complete warranty for details

