

Glass Top Refrigerated Condiment Rail with Sneeze Guard

- Keep fresh ingredients within reach for easy assembly of pizzas, sandwiches, and more
- Electronic control for ease of use
- Aids in kitchen efficiency



UCGAC166



UCGAC223

Model	Description	Voltage/Hz/Phase/Amps	Shipping Weight
UCGAC166	66" Glass Top Refrigerated Condiment Rail with Sneeze Guard	115 / 60 / 1 / 1.5	137 lb
UCGAC223	88" Glass Top Refrigerated Condiment Rail with Sneeze Guard	115 / 60 / 1 / 1.5	165 lb

Specifications

UCGAC166 storage capacity: 7 GN 1/3 pans (not included)

UCGAC223 storage capacity: 10 GN 1/3 pans (not included)

Environmentally friendly R134a refrigerant: UCGAC166: 7.0 oz (0.200 kg) / UCGAC223: 8.8 oz (0.250 kg)

Factory pre-wired for dedicated outlet, 11 ft cord and plug included NEMA 5-15P

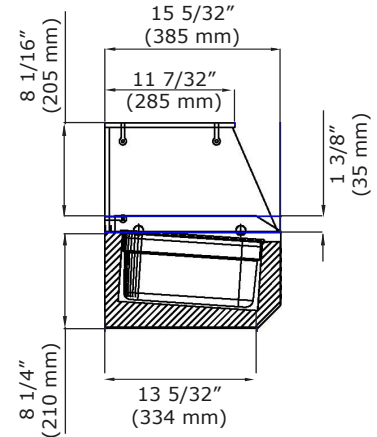
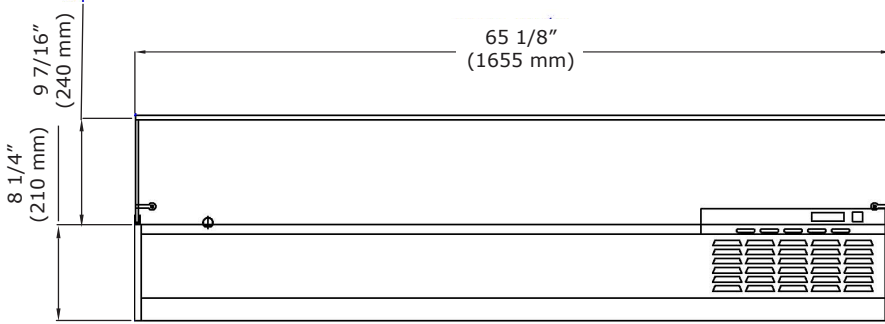
Glass-top assembly required

NSF/ANSI Standard 7 compliant

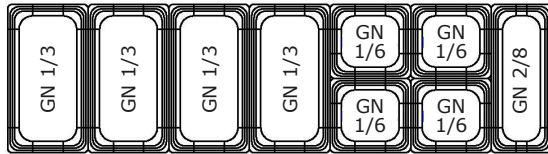
Stainless Steel and Glass Construction

Temperature range: 28°F to 46°F

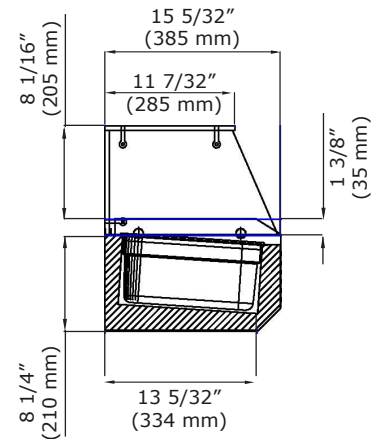
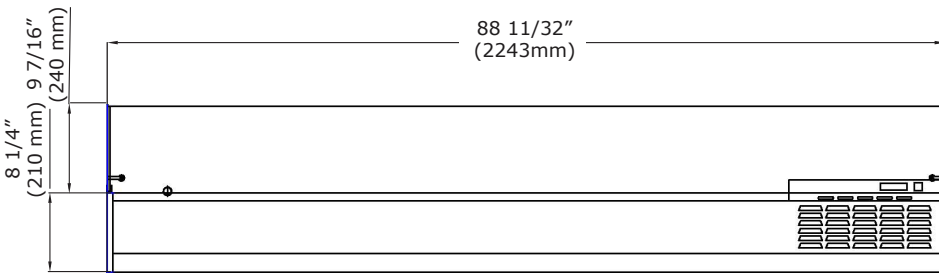
UCGAC166



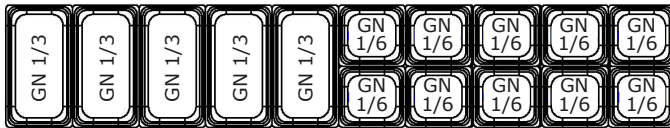
For reference only - pans not included



UCGAC223



For reference only - pans not included



Commercial Warranty

3 Year (parts & labor) / 5 year sealed system (parts)
See complete warranty for details



Intertek

