

Undercounter Refrigerators

- Casters included (2 locking) for easy mobility
- Convenient undercounter refrigeration designed to keep food fresh
- Available in a variety of sizes



UCRE552-SS61A



UCRE570-SS61A



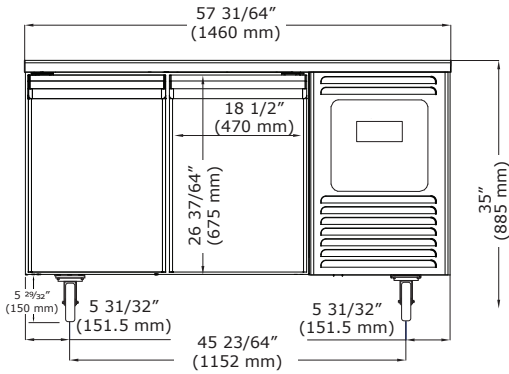
UCRE588-SS61A

Model	Description	Voltage/Hz/Phase/Amps	Shipping Weight
UCRE552-SS61A	2 Door Undercounter Refrigerator	115 / 60 / 1 / 5	353 lb
UCRE570-SS61A	3 Door Undercounter Refrigerator	115 / 60 / 1 / 5	507 lb
UCRE588-SS61A	4 Door Undercounter Refrigerator	115 / 60 / 1 / 5	551 lb

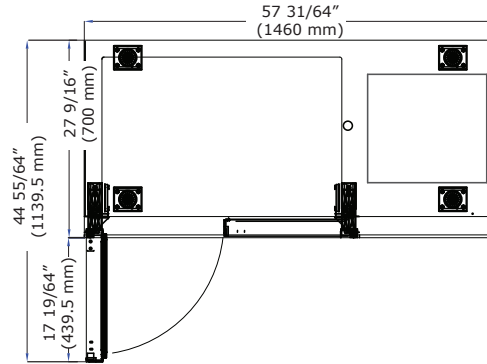
Specifications

UCRE552-SS61A dimensions: 35" H x 57 15/32" W x 27 9/16" D
UCRE570-SS61A dimensions: 35" H x 76 37/64" W x 27 9/16" D
UCRE588-SS61A dimensions: 35" H x 95 43/64" W x 27 9/16" D
UCRE552-SS61A: volume of 9.88 cu ft, 2 epoxy coated shelves
UCRE570-SS61A: volume of 15.57 cu ft, 3 epoxy coated shelves
UCRE588-SS61A: volume of 21.2 cu ft, 4 epoxy coated shelves
AISI 304 stainless steel interior and exterior
Autodefrost
CFC-free high density polyurethane insulated cabinet
Electronic Control
Environmentally friendly R449a refrigerant: UCRE552-SS61A: 41.1 oz (0.400 kg) / UCRE570-SS61A: 17.5 oz (0.500 kg) / UCRE588-SS61A: 17.5 oz (0.500 kg)
Epoxy coated, sealed evaporator eliminates potential corrosion
Factory pre-wired for dedicated outlet, 11 ft cord and plug included NEMA 5-15P
Max weight per shelf: 66 lb
NSF/ANSI Standard 7 compliant
Temperature range: 28°F to 46°F

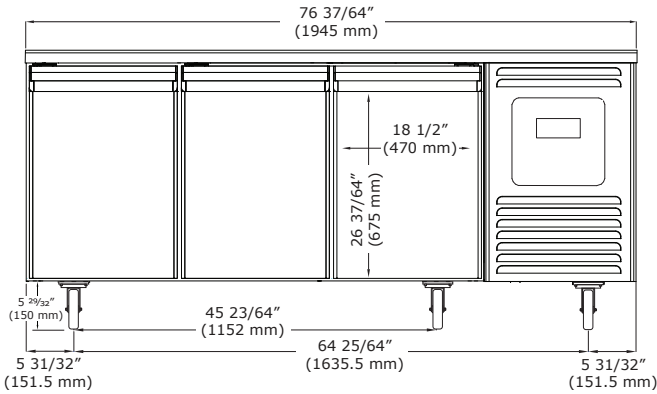
Front (UCRE552-SS61A)



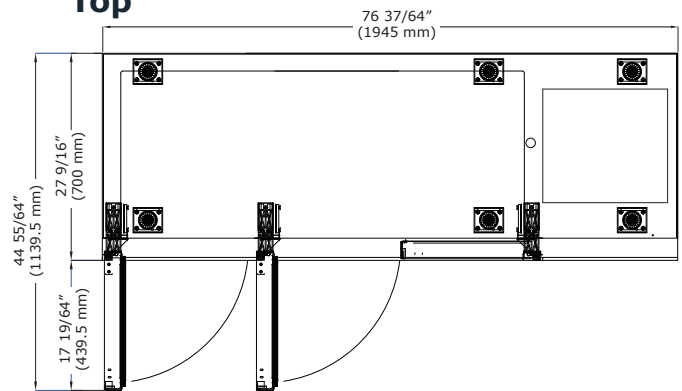
Top



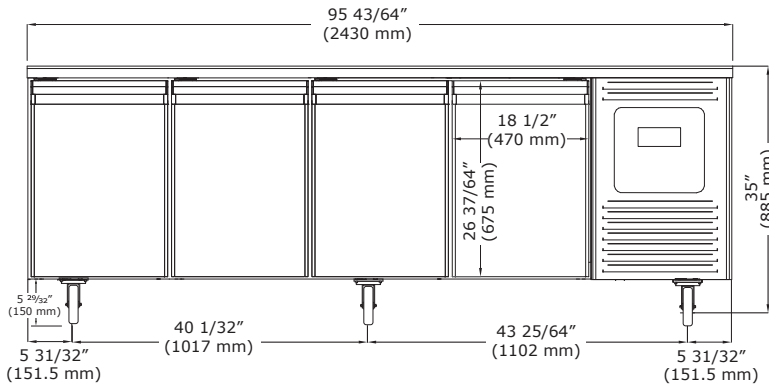
Front (UCRE570-SS61A)



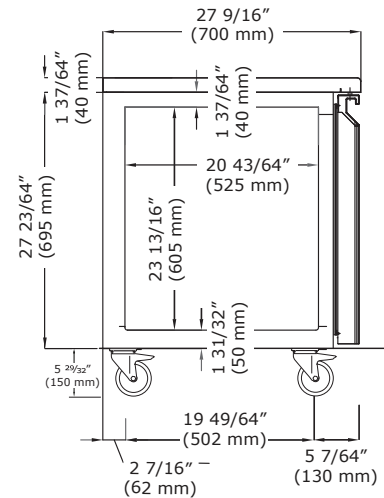
Top



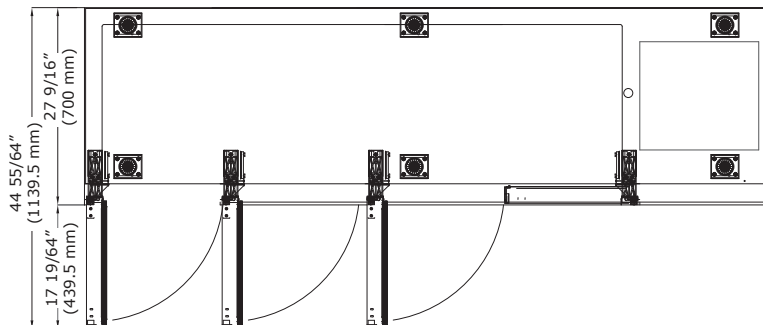
Front (UCRE588-SS61A)



Side (all models)



Top



Commercial Warranty

3 Year (parts & labor) / 5 year sealed system (parts)
See complete warranty for details