

49 cu ft Refrigerators, Reach-In

- Improve the flow and function of your space by having refrigerated items where you need them most
- Comfortably fits 18" x 26" sheet pans (not included)
- Glass & solid door options available
- 6 casters included (2 locking) for easy mobility
- LED lighting on glass door models



UCRE553-SS71A



UCRE553-SG71A

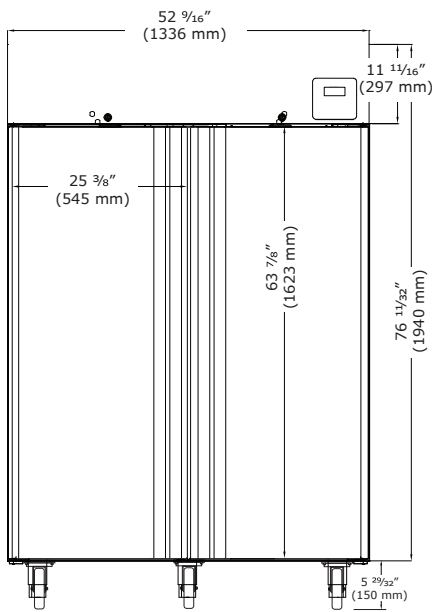
Model	Description	Voltage/Hz/Amps	Shipping Weight
UCRE553-SS71A	49 cu ft Refrigerator, Reach-In, Solid Door	115v / 60hz / 5.4	419 lb
UCRE553-SG71A	49 cu ft Refrigerator, Reach-In, Glass Door	115v / 60hz / 5.4	518 lb

Specifications

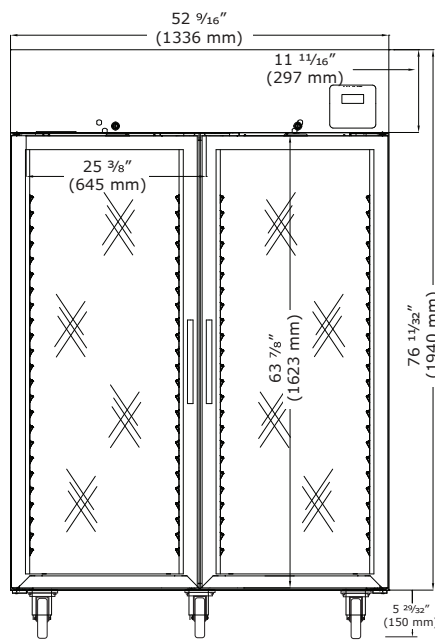
UCRE553-SS71A dimensions: 82 9/32" H x 52 9/16" W x 31 1/2" D
UCRE553-SG71A dimensions: 82 9/32" H x 52 9/16" W x 31 1/2" D
AISI 304 stainless steel interior and exterior with locks
Autodefrost
CFC-free high density polyurethane insulated cabinet
Electronic digital temperature control with alarms
Environmentally friendly R290 refrigerant - 3.5 oz (0.100 kg)
Epoxy coated, sealed evaporator eliminates potential corrosion
Factory pre-wired for dedicated outlet, 11 ft cord and plug included NEMA 5-15P
High efficiency evaporator coil & condenser
High efficiency top-mounted compressor
NSF/ANSI Standard 7 compliant
Temperature range: 28°F to 46°F
Volume of 49 cu ft
2 sections, includes 6 epoxy coated wire shelves

Accessories	Description	Shipping Weight
ULA4080534	(1) Stainless steel embossed shelf guide for UCRE553 & UCFZ553 reach-ins, 22"	.88 lb
ULAQ32-0002	(1) Epoxy coated wire shelf, 20 7/8" x 25 5/8" for reach-ins	7 lb
ULA80110300	Interior LED lighting kit for solid door reach-ins	2.2 lb

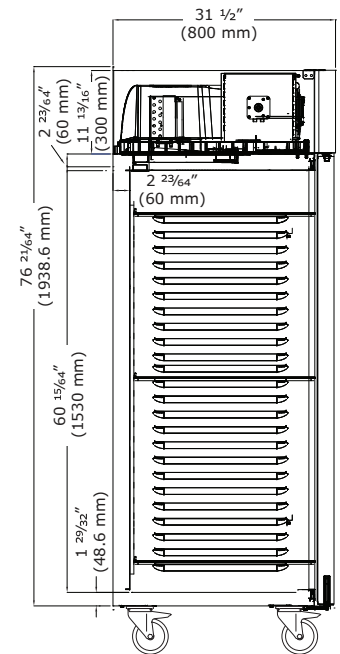
**Front
 (Closed - Solid Door)**



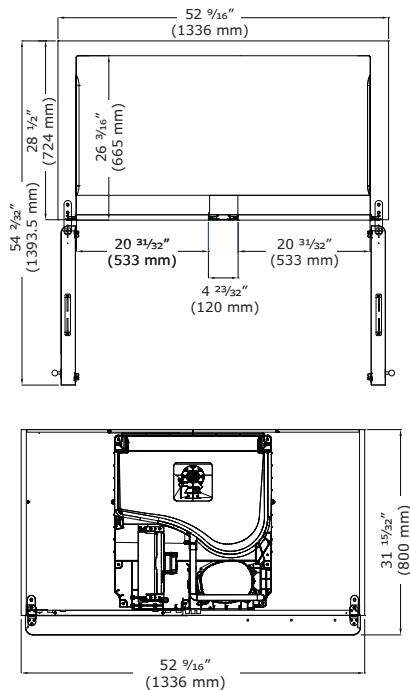
**Front
 (Closed - Glass Door)**



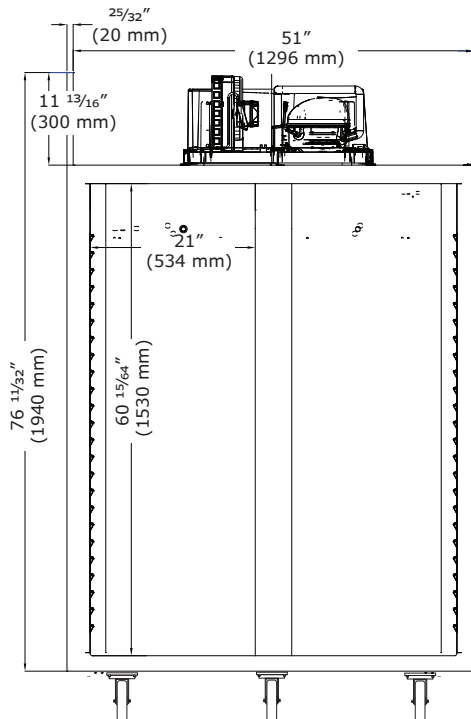
Side



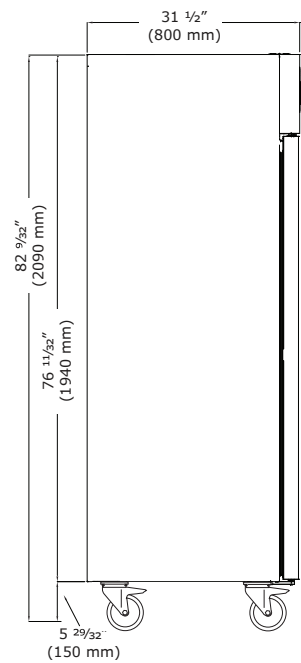
Top



Back



Side



Commercial Warranty

3 Year (parts & labor) / 5 year sealed system (parts)
 See complete warranty for details

