

74 cu ft Refrigerators, Reach-In

- Improve the flow and function of your space by having refrigerated items where you need them most
- Comfortably fits 18" x 26" sheet pans (not included)
- Glass & solid door options available
- 8 casters included (2 locking) for easy mobility
- LED lighting on glass door models



UCRE585-SS71A



UCRE585-SG71A

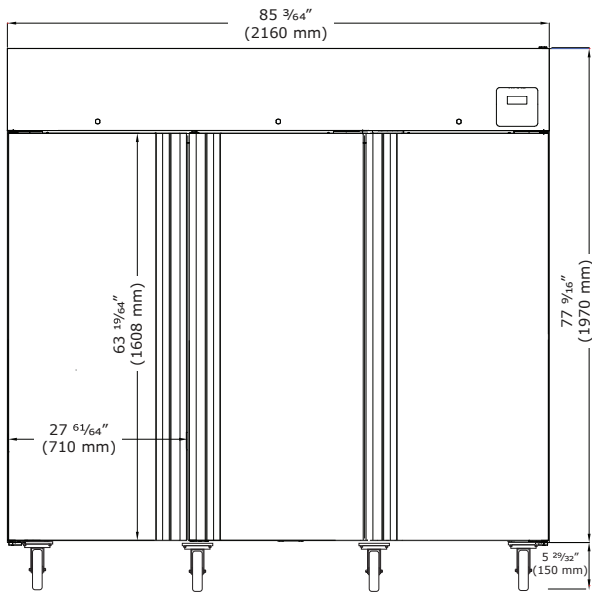
Model	Description	Voltage/Hz/Amps	Shipping Weight
UCRE585-SS71A	Refrigerator, Reach-In, Solid Door	115v / 60hz / 7	650 lb
UCRE585-SG71A	Refrigerator, Reach-In, Glass Door	115v / 60hz / 7	750 lb

Specifications

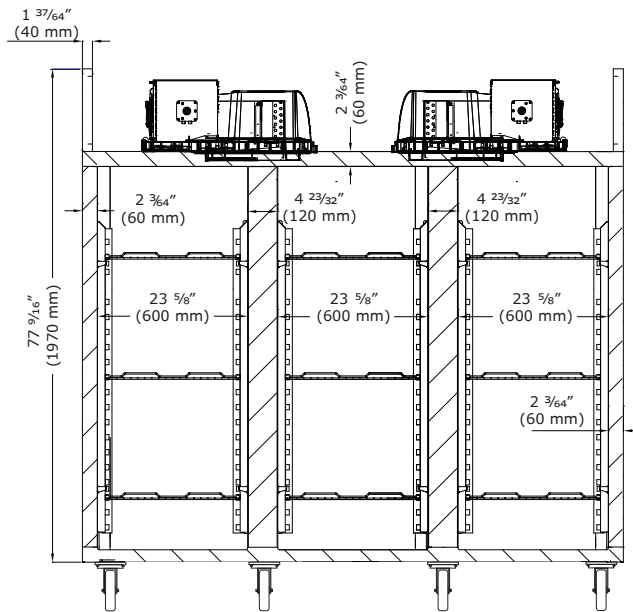
UCRE585-SS71A dimensions: 83 15/32" H x 85 3/64" W x 31 15/32" D
UCRE585-SG71A dimensions: 83 15/32" H x 85 3/64" W x 31 15/32" D
AISI 304 stainless steel interior and exterior with locks
Autodefroster
CFC-free high density polyurethane insulated cabinet
Electronic digital temperature control with alarms
Environmentally friendly R290 refrigerant: 2 x 3.2 oz (2 x 0.090 kg)
Epoxy coated, sealed evaporator eliminates potential corrosion
Factory pre-wired for dedicated outlet, 11 ft cord and plug included NEMA 5-15P
High efficiency evaporator coil & condenser
High efficiency top-mounted compressor
NSF/ANSI Standard 7 compliant
Temperature range: 28°F to 46°F
Volume of 74 cu ft
3 sections, includes 9 epoxy coated wire shelves

Accessories	Description	Shipping Weight
ULA4080584	(1) Stainless steel shelf guide for all reach-ins except UCRE553 & UCFZ553, 24 3/4"	.88 lb
ULAQ32-0002	(1) Epoxy coated wire shelf, 20 7/8" x 25 5/8" for reach-ins	7 lb
ULA80110300	Interior LED lighting kit for solid door reach-ins	2.2 lb

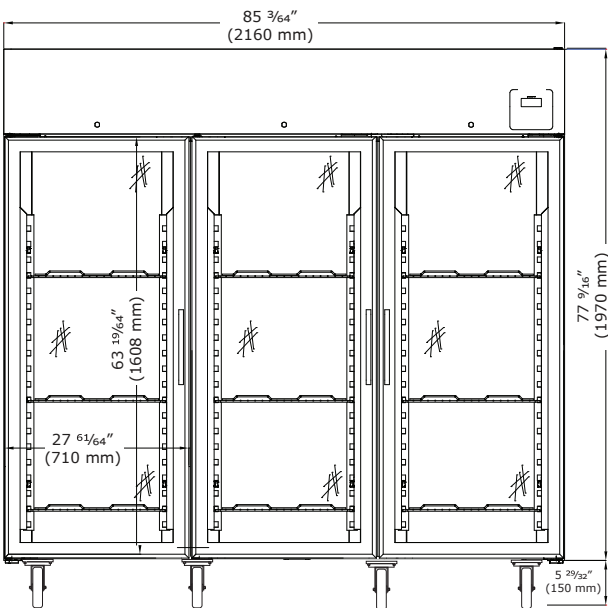
Front (Closed - Solid Door)



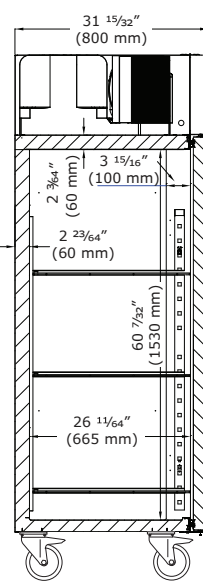
Front (Open)



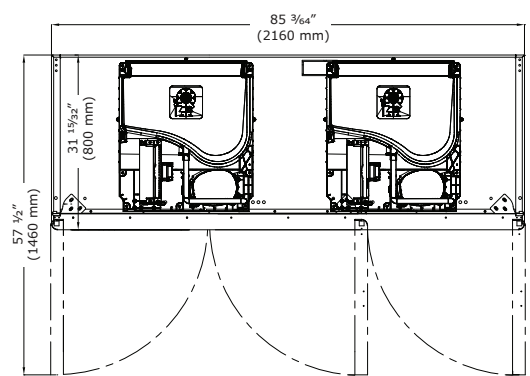
Front (Closed - Glass Door)



Side



Top



Commercial Warranty

3 Year (parts & labor) / 5 year sealed system (parts)
 See complete warranty for details

