

Roll-Thru Refrigerators

- Improve the flow and function of your space by having refrigerated items where you need them most
- Solid door models
- Push carts through the unit
- LED lighting



UCRE733-SS31A



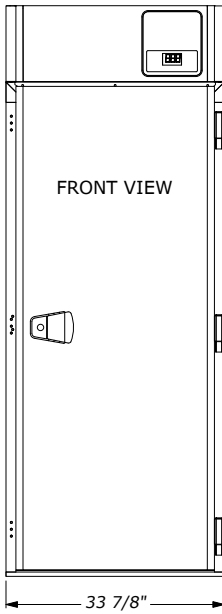
UCRE766-SS71A

Model	Description	Voltage/Hz/Amps	Shipping Weight
UCRE733-SS31A	Roll-thru Refrigerator with Double Solid Door	115v / 60hz / 9.6	463 lb
UCRE766-SS71A	Roll-thru Refrigerator with Quadruple Solid Door	115v / 60hz / 19.2	683 lb

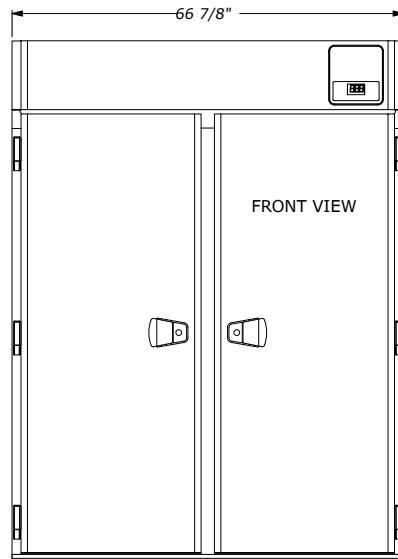
Specifications

UCRE733-SS31A dimensions: 88 1/2" H x 33 7/8" W x 53 5/8" D
UCRE766-SS71A dimensions: 88 1/2" H x 66 7/8" W x 53 5/8" D
UCRE733-SS31A: Environmentally friendly R290 refrigerant - 3.5 oz
UCRE766-SS71A: Environmentally friendly R290 refrigerant - 7.0 oz
UCRE733-SS31A: Factory pre-wired for dedicated outlet, 11 ft cord and plug included NEMA 5-15P
UCRE766-SS71A: Factory pre-wired for dedicated outlet, 11 ft cord and plug included NEMA 5-20P
UCRE733-SS31A volume: 35.8 cu ft
UCRE766-SS71A Volume: 79 cu ft
AISI 304 stainless steel interior and exterior with lock
Autodefrost
CFC-free high density polyurethane insulated cabinet
Electronic digital temperature control with alarms
Epoxy coated, sealed evaporator eliminates potential of corrosion
Fixed stainless steel loading ramp
High efficiency compressor, top mount
High efficiency evaporator coil & condenser
NSF/ANSI Standard 7 compliant
Temperature range: 28°F to 46°F

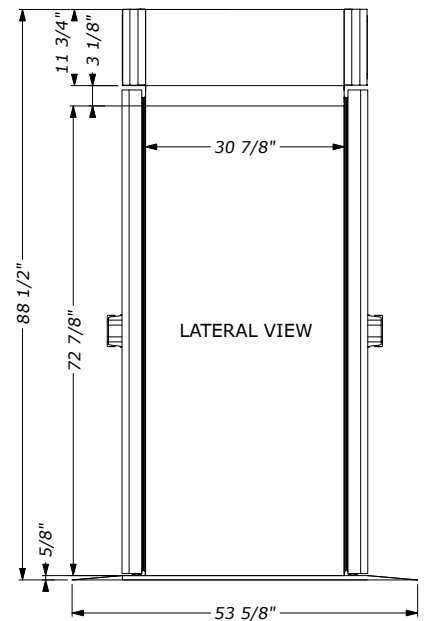
Front UCRE733 (Open)



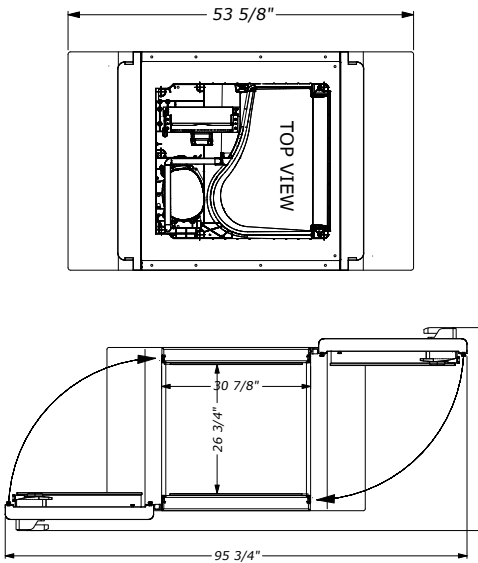
Front UCRE766 (Open)



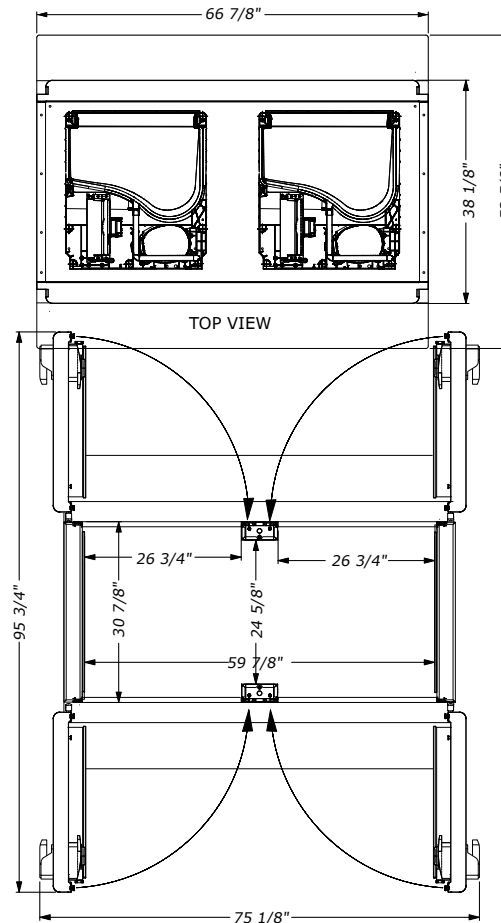
Side UCRE733/766



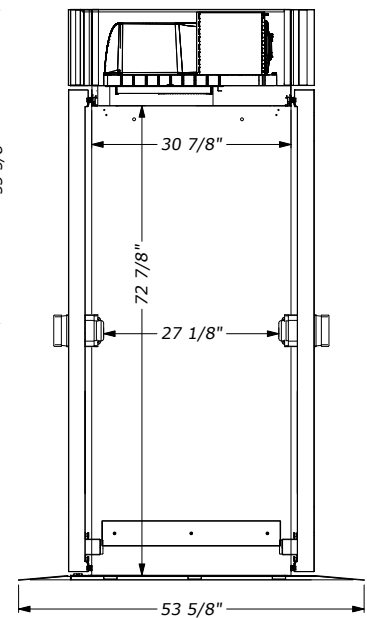
Top UCRE733



Top UCRE766



Back UCRE733/766



Commercial Warranty

3 Year (parts & labor) / 5 year sealed system (parts)

See complete warranty for details

