



Star® Hot Dog Broilers

174CBA 175CBA



174CBA



175CBA

DESCRIPTION

Star's Broil-O-Dogs are designed for ease of use, perfect broiling and terrific merchandising of your products with easily accessible heated bun storage.

With two model variations of cradle wheels to choose from, Star offers you the right broiler for use in convenience stores, quick serve restaurants, concession areas, snack bars or wherever you want to increase your hot dog sales.

SPECIFICATIONS

Hot dog broiler is constructed of stainless steel with a cradle wheel and a built-in bun warmer. Built-in 50-watt bun warmer with 6 x 10 x 4 (model 174) or 12 x 10 x 4 (model 175) pan with rack for buns. Unit features a lighted on/off switch, adjustable infinite control, and a momentary wheel switch. Shipped with a 6' lead-in cord and NEMA 5-15 plug for 120V. Broiler is approved by Underwriters Laboratories, UL listed to NSF Standard 4 and Canadian standards. The 174 CBA has a 1050-watt heating element. The 175 CBA has a 1250-watt heating element.

WARRANTY

These units come with a one [1] year warranty for parts and labor.

FEATURES

- Stainless steel cradle-type hot dog wheel provides basting action that rolls the dogs resulting in more evenly cooked products with consistent color.
- Durable tempered glass panels.
- Built-in pull-out heated bun warmer with removable washable stainless steel pan keeps buns warm and ready to serve without becoming soggy.
- Momentary wheel switch for easy loading and unloading of product.
- Adjustable infinite control provides a wide range of temperature control.
- Colorful merchandising graphics to build impulse sales.
- Illuminated cabinets for better visibility.
- Lighted "on-off" switch for visual control.

CAPACITY	
MODEL	Capacity & JUICE TRAY DETAILS
174CBA, cradle wheel	18 dogs, 12 buns
175CBA, cradle wheel	36 dogs, 32 buns

CERTIFICATIONS



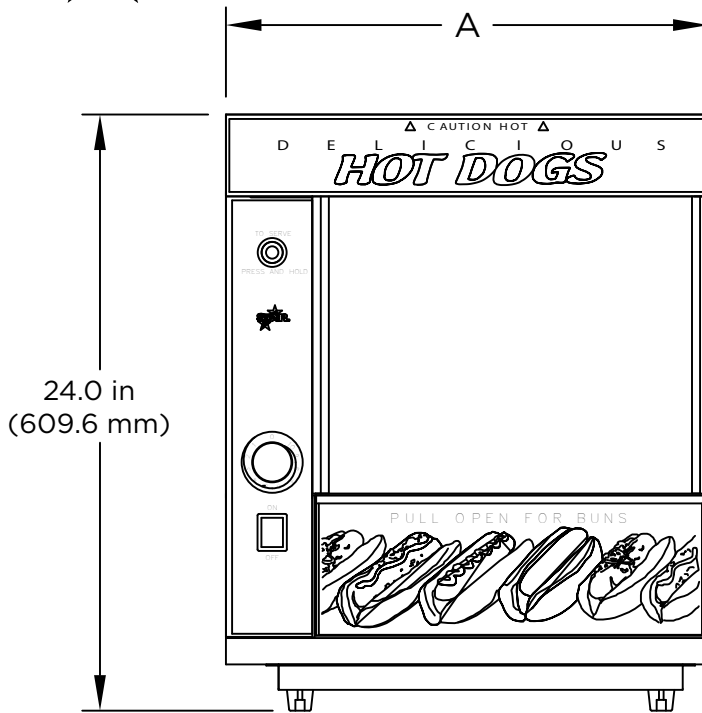
STAR MANUFACTURING INTERNATIONAL INC.
 265 Hobson St. • Smithville, TN 37166
 Telephone: 800 264 7827 • www.star-mfg.com

Printed in the U.S.A. • 2M-Z22871 REV C (09-23)
 Specifications are subject to change without notice
 and are not intended for installation purposes.

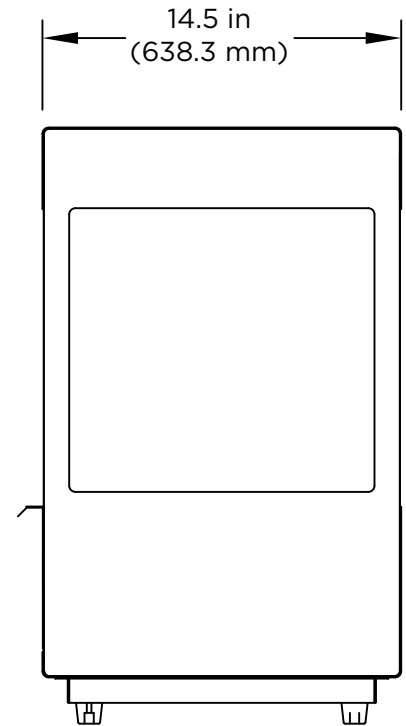


Star® Hot Dog Broilers

☐ 174CBA ☐ 175CBA



175CBA shown



SK3185 REV A (09-23)

MODEL	DESCRIPTION	HEIGHT in. (mm)	WIDTH [A] in. (mm)	DEPTH in. (mm)	VOLTS	WATTS	AMPS	NEMA PLUG	APPROX. SHIP WEIGHT	APPROX. INSTALLED WEIGHT
174CBA	Cradle Wheel: 18 dogs 12 buns	24.0 (609.6)	13.5 (342.9)	14.5 (368.3)	120V	1,150	9.6	5-15P	54 lb. (24.3 kg)	44 lb. (19.9 kg)
175CBA	Cradle Wheel: 36 dogs 32 buns	24.0 (609.6)	19.5 (495.3)	14.5 (368.3)	120V	1,350	11.3	5-15P	71 lb. (31.9 kg)	56 lb. (25.4 kg)

Due to periodic changes in designs, methods, procedures, policies and regulations, the specifications contained in this sheet are subject to change without notice. While Star Manufacturing exercises good faith efforts to provide information that is accurate, we are not responsible for errors or omissions in information provided or conclusions reached as a result of using the specifications. By using the information provided, the user assumes all risks in connection with such use.



STAR MANUFACTURING INTERNATIONAL INC.
265 Hobson St. • Smithville, TN 37166
Telephone: 800 264 7827 • www.star-mfg.com

Printed in the U.S.A. • 2M-Z22871 REV C (09-23)
Specifications are subject to change without notice
and are not intended for installation purposes.