



Job _____ Item No. _____

Star-Max® Electric Snap-Action Griddles

Polished Steel Plate □515TGF □524TGF □536TGF □548TGF

Chrome Plate □524CHSF □536CHSF □548CHSF



536TGF

DESCRIPTION

Star-Max® electric griddles provide precise temperature control and are a perfect addition to any food service operation. Electric griddles are constructed with quality and durability in mind. Polished steel or chrome plate options available. Available in 15", 24", 36" and 48" widths. Snap-action thermostat adjusts from 150° to 450°F.

SPECIFICATIONS

Stainless steel bull nose front for knob protection, and nickel plated die-cast legs offer years of easy maintenance and outstanding performance. Double wall construction allows installation within 1" of combustible surface when your space is limited. Griddles operate on 208 or 240 volts and are equipped with a junction box at the rear for making electrical connections. Electric griddles are constructed of stainless steel front panel and double wall aluminized steel side panels. Griddle plate is 1" thick highly polished steel or chrome with 4-1/2" (11.4 cm) wrap-around stainless steel splash guard. Unit has a 3-1/4" (8.3 cm) wide front grease trough with grease chute and 4- 1/2 qt.(4.257 L) stainless steel grease drawer. Unit is heated with a 4000 watt incoloy sheath type element every 12" (30.48 cm) of griddle width and is controlled with a snap-action thermostat embedded into the griddle plate. Thermostat knob is protected by a stainless steel bull nose front. Units are supplied with 4" (10.16 cm) die cast nickel plated legs that have a 1-3/8" (3.5 cm) adjustment. A junction box is provided for making electrical connections. Units are listed by Underwriters Laboratories, and are UL Sanitation and CSA approved.

WARRANTY

These units come with a two [2] year warranty for parts and labor.

FEATURES

- Available in 15", 24", 36" and 48" widths
- Highly polished 1" thick polished steel or chrome plate for superior heat distribution
- Snap-action thermostat inserted into the griddle plate 3/16" from the cooking surface, adjusts from 150° to 450°F providing quick response to surface temperature change
- Heavy-duty metal knobs look great and are designed to last
- Stainless steel top, pan and front
- A 4000 watt element every 12" of cooking surface
- Cool-to-the-touch stainless steel bull nose front provides knob protection and comfortable work zone
- Heavy-duty all-welded body construction with stainless steel front, bull nose and 4-1/2" high tapered splash guard
- Spatula wide 3-1/4" grease trough, grease chute and 4-1/2" high tapered splash guard for easy clean up
- Large 4-1/2 quart stainless steel grease drawer is standard.
- Heavy-duty 4" legs

OPTIONS & ACCESSORIES

- Equipment stands

CERTIFICATIONS



STAR MANUFACTURING INTERNATIONAL INC.

265 Hobson St. • Smithville, Tennessee 37166
Telephone 800 264 7827 • Fax 314 781 5445
www.star-mfg.com



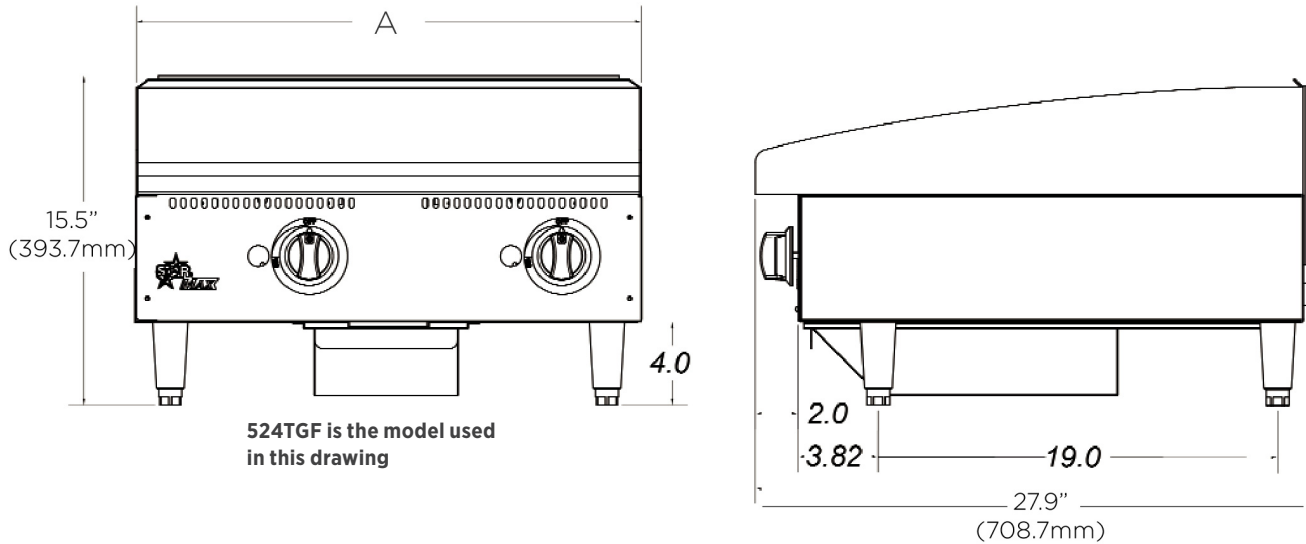
Printed in the U.S.A. • 2M-ZZxxxx • Rev - • 04.2020
Specifications are subject to change without notice and are not intended for installation purposes.



Star-Max® Electric Snap-Action Griddles

Polished Steel Plate □515TGF □524TGF □536TGF □548TGF

Chrome Plate □524CHSF □536CHSF □548CHSF



CLEARANCES

These units can be installed on non-combustible countertops using the provided four [4] inch (102 mm) legs or on a combustible floor using a minimum 27-inch (636 mm) tall stand. The back and both sides must be at least one [1] inch (25.4 mm) from any combustible surface.

MODEL	WIDTH [A] in. (mm)	DEPTH in. (mm)	HEIGHT in. (mm)	PLATE DEPTH	APPROX. SHIP WEIGHT	APPROX. WEIGHT INSTALLED
515TGF/CHSF	15 (381.0)	27.9 (708.7)	15.5 (393.7)	20.5" (520.7 mm)	125 lb. (56.7 kg)	83 lb. (37.6 kg)
524TGF/CHSF	24 (610.0)	27.9 (708.7)	15.5 (393.7)		175 lb. (79.4 kg)	165 lb. (74.8 kg)
536TGF/CHSF	36 (914.4)	27.9 (708.7)	15.5 (393.7)		262 lb. (118.9 kg)	247 lb. (112.0 kg)
548TGF/CHSF	48 (1219.4)	27.9 (708.7)	15.5 (393.7)		350 lb. (158.8 kg)	330 lb. (149.7 kg)

MODEL	WATTS ¹		3 PHASE LOADING KW PER PHASE						NOMINAL AMPS PER LINE WIRE							
	208V	240V	208V 50/60Hz			240V 50/60 Hz			208V 3PH			240V 3PH			208V	240V
			X-Y	Y-Z	X-Z	X-Y	Y-Z	X-Z	X	Y	Z	X	Y	Z	1 PH	1 PH
515TGF/CHSF	3,004	4,000	-	-	3	-	-	4	-	-	-	-	-	-	14.44	16.66
524TGF/CHSF	6,008	8,000	3	3	-	4	4	-	14.4	25	14.4	16.7	28.9	16.7	28.9	33.3
536TGF/CHSF	9,012	12,000	3	3	3	4	4	4	25	25	25	28.9	28.9	28.9	43.3	50.0
548TGF/CHSF	12,016	16,000	3	3	6	4	4	8	38.2	25	38.2	44.2	28.9	44.2	57.8	66.7

¹ 208/240V service for all models. All units must be hard-wired at installation for 1-phase & 3-phase service

Due to periodic changes in designs, methods, procedures, policies and regulations, the specifications contained in this sheet are subject to change without notice. While Star Manufacturing exercises good faith efforts to provide information that is accurate, we are not responsible for errors or omissions in information provided or conclusions reached as a result of using the specifications. By using the information provided, the user assumes all risks in connection with such use.



STAR MANUFACTURING INTERNATIONAL INC.

265 Hobson St. • Smithville, Tennessee 37166
 Telephone 800 264 7827 • Fax 314 781 5445
 www.star-mfg.com

Printed in the U.S.A. • 2M-ZZxxxx • Rev - • 04.2020
 Specifications are subject to change without notice
 and are not intended for installation purposes.