



Ultra-Max® Horizontal & Vertical Contact Toasters **Models HCT13M, HCT13S, HCTE13M, HCTE13S,** **VCT13M, VCT13S, VCTE13M, VCTE13S,**

Contact Toaster Features/Benefits:

- ★ High speed contact toasting provides perfectly caramelized bun surfaces.
- ★ Horizontal & vertical models, analog & electronic controls, metal and silicone belt options.
- ★ Designed for use with PTFE sheets to prevent product from sticking to platen, reducing cleaning.
- ★ Heavy-duty wire mesh conveyor belt offers long life and no maintenance. Optional non-marking silicone belt also available.
- ★ Ultra-efficient aluminum toasting surface for quick heat up and even temperature distribution across full width of conveyor belt.
- ★ Low profile design for ergonomic access to conveyor load up and retrieval areas.
- ★ Adjustable opening between belt and toasting surface for perfect toasting of any thickness bun.
- ★ Programmable supplemental heaters for warming the crown and heel side of the bun.
- ★ Deep toasting return to support toasting of products up to 7" long.
- ★ Optional fully programmable electronic control with platen temperature, auxiliary heater power, and belt speed settings.
- ★ Toasts bread products in seconds!
- ★ Extended conveyor belt with sloped platen for easy loading.
- ★ Safe load up area with full width front burn guard and cool-to-the-touch exterior.
- ★ Removable crumb tray and toast slide for easy clean-up.
- ★ Accessories include: butter wheels, load trays and non-stick coated sheets.
- ★ 24 hours 7 days a week technical support by Star technicians.

Applications:

Toast buns perfectly every time with Holman high quality contact toasters.

Quality Construction:

No matter how you slice it, Star delivers high quality, reliable toasters. Stainless steel construction for long lasting durability. Heavy-duty motor, drive chain and conveyor system for superior reliability. Conveyor belt tension system for smooth and quiet operation. High performance embedded heaters for superior toasting performance and reliability. Optional fully programmable electronic controls. Toasters are furnished with 1" legs and 4' cord. No ventilation hood is required.

Warranty:

Ultra-Max conveyor toasters are covered by a one-year parts and labor warranty.



HCTE13M
Electronic Control



VCTE13M
Electronic Control



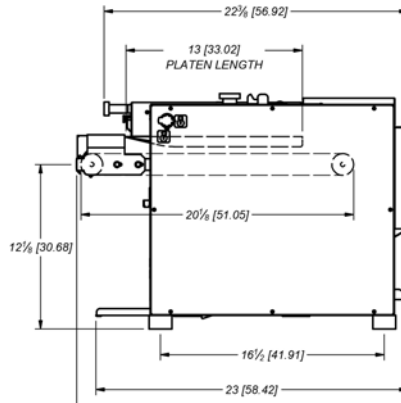
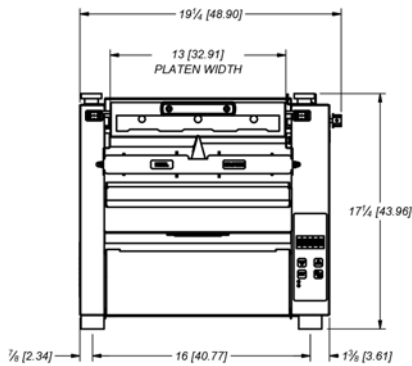
HCT13M
Analog Control

Horizontal & Vertical Contact Toasters



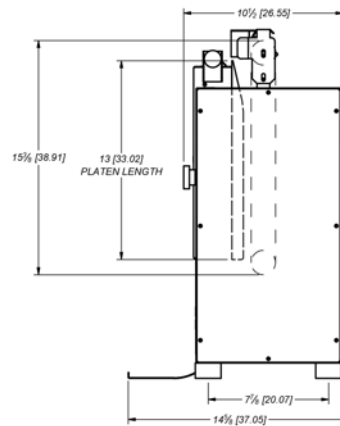
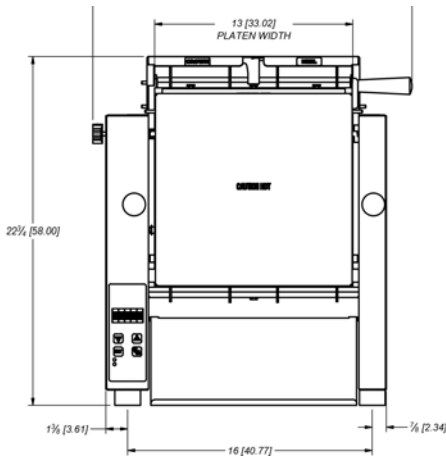


Ultra-Max® Horizontal & Vertical Contact Toasters Models HCT13M, HCT13S, HCTE13M, HCTE13S, VCT13M, VCT13S, VCTE13M, VCTE13S,



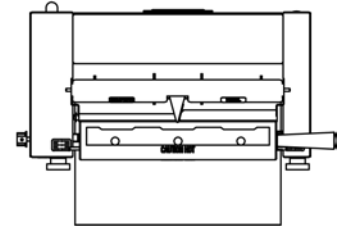
Production Capacity (Horizontal)

Up to 1,400 bun halves Per Hour



Production Capacity (Vertical)

Up to 1,700 bun halves Per Hour



Specifications

| Model No. | Dimensions | | | Volts | HZ 1 Phase | Amps | Watts | Heating Elements | | Plug | Shipping Weight lbs. (kg) |
|---------------------|-------------------------|-------------------------|--------------------------|-------|---------------|-------|-------|------------------|------------|-----------|------------------------------------|
| | Width Inches (cm) | Depth Inches (cm) | Height Inches (cm) | | | | | Above Belt | Below Belt | | |
| HCT13M & HCTE13M | 19.25 (48.9) | 24.42" (62.0) | 17.31" (44.0) | 208 | 60 | 13.5 | 2800 | 1 | 2 | 6-20P | 115 (52.2) |
| | | | | 240 | 60 | 12.5 | 3000 | 1 | 2 | 6-20P | |
| | | | | 230 | 50 | 12 | 2750 | 1 | 2 | CEE 7/VII | |
| HCT13S & HCTE13S | 19.25 (48.9) | 24.42" (62.0) | 17.31" (44.0) | 208 | 60 | 12.25 | 2550 | 1 | 1 | 6-20P | 115 (52.2) |
| | | | | 240 | 60 | 11 | 2650 | 1 | 1 | 6-20P | |
| | | | | 230 | 50 | 10.5 | 2450 | 1 | 1 | CEE 7/VII | |
| VCT13M & VCTE13M | 20.94 (53.2) | 14.59" (37.1) | 22.83" (58.0) | 208 | 60 | 13.5 | 2800 | 1 | 2 | 6-20P | 75 (34.1) |
| | | | | 240 | 60 | 12.5 | 3000 | 1 | 2 | 6-20P | |
| | | | | 230 | 50 | 12 | 2750 | 1 | 2 | CEE 7/VII | |
| VCT13S & VCTE13S | 20.94 (53.2) | 14.59" (37.1) | 22.83" (58.0) | 208 | 60 | 12.25 | 2550 | 1 | 1 | 6-20P | 75 (34.1) |
| | | | | 240 | 60 | 11 | 2650 | 1 | 1 | 6-20P | |
| | | | | 230 | 50 | 10.5 | 2450 | 1 | 1 | CEE 7/VII | |

Typical Specifications

High intensity metal elements provide infrared heat to warm the backside of the bun. Toasts bread products in seconds! Extended conveyor belt with sloped platen for easy loading. Unit has a one-piece cover for easy access with 1" legs and a 4' cord. Printed in the U.S.A.

Due to periodic changes in designs, methods, procedures, policies and regulations, the specifications contained in this sheet are subject to change without notice. While Star Manufacturing exercises good faith efforts to provide information that is accurate, we are not responsible for errors or omissions in information provided or conclusions reached as a result of using the specifications. By using the information provided, the user assumes all risks in connection with such use.