



30" Upright Bins



705 shown

Model Number
705
905

FEATURES

- Stainless steel front and sides
- Galvanized steel back and bottom
- Large opening for scoop dispensing
- Seamless polyethylene liner with coved corners
- 1 ½" foamed in-place polyurethane insulation
- Stainless steel baffle prevents ice overflow
- Adjustable feet
- Factory installed 1" NPS stainless steel drain
- Spring loaded door hinge
- Transparent view windows



NAFEM

North American Association of
Food Equipment Manufacturers

Toll Free Phone: 1-800-346-3246

Local Phone: (303) 761-1615

E-mail: sales@kloppenberg.com

www.kloppenberg.com

ASSEMBLY REQUIRED

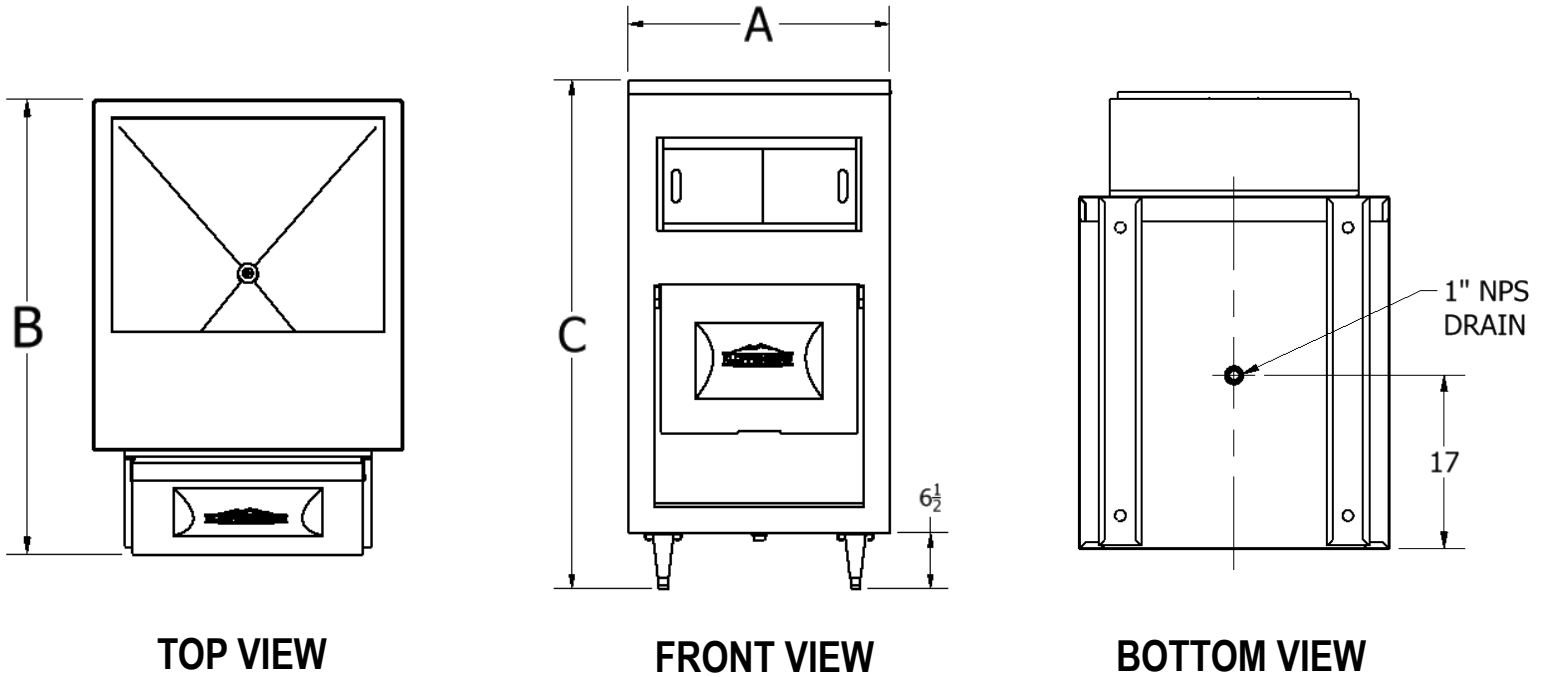
- Snout (tool-free)
- Feet

Model Number

705

905

30" Upright Bins



Model Number	Capacity lbs (kg)	A-Width in (mm)	B-Depth* in (mm)	C-Height in (mm)	Minimum Door Clearance	Ship Weight lbs (kg)
705	741 (336)	30 (762)	44.5 (1,130)	58 (1,473)	30 (762)	255 (116)
905	1,023 (464)	30 (762)	44.5 (1,130)	78 (1,955)	30 (762)	325 (148)

*Includes 10.5" depth for snout

OPTIONS:

- Stainless Steel liner
- Fully welded stainless steel liner (coved corners)
- Prison Package
- Flanged feet

AVAILABLE ACCESSORIES:

- Paddle
- Scoops
- Totes
- Bagging Kit
- Carts

Toll Free Phone: 1-800-346-3246 Local Phone: 303-761-1615

Email: sales@kloppenberg.com

Please send all PO's to purchaseorders@kloppenberg.com