



# 48" Upright Bins

Model Number
1045
1315



1045 shown



## **FEATURES**

- Stainless steel front and sides
- Galvanized steel back and bottom
- Large opening for scoop dispensing
- Seamless polyethylene liner with coved corners
- 1 ½" foamed in-place polyurethane insulation
- Stainless steel baffle prevents ice overflow
- Adjustable feet
- Factory installed 1" NPS stainless steel drain
- Spring loaded door hinge
- Transparent view windows

## **ASSEMBLY REQUIRED**

- Snout (tool-free)
- Feet

Toll Free Phone: 1-800-346-3246

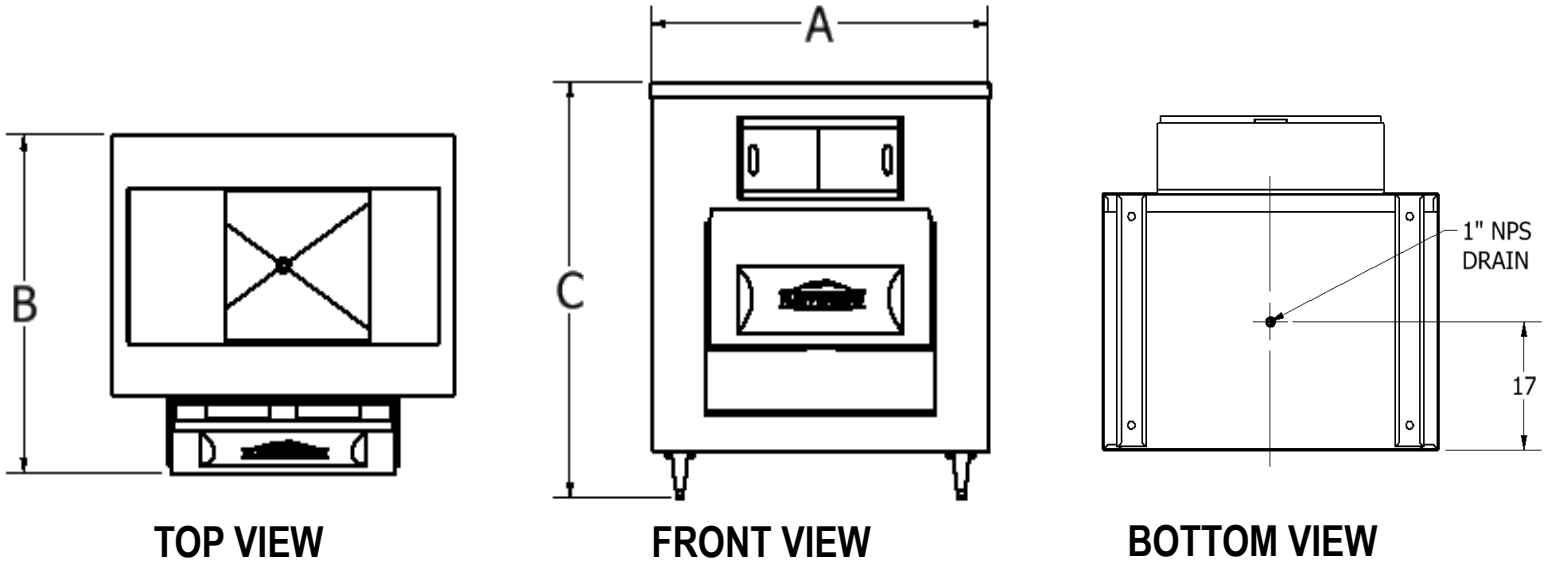
Local Phone: (303) 761-1615

E-mail: [sales@kloppenberg.com](mailto:sales@kloppenberg.com)

[www.kloppenberg.com](http://www.kloppenberg.com)

Model Number
1045
1315

# 48" Upright Bins



Model Number	Capacity lbs (kg)	A-Width in (mm)	B-Depth* in (mm)	C-Height in (mm)	Minimum Door Clearance in (mm)	Ship Weight lbs (kg)
1045	1,161 (526)	48 (1,219)	44.5 (1,130)	55 (1,397)	34 (864)	300 (136)
1315	1,457 (660)	48 (1,219)	44.5 (1,130)	67 (1,701)	34 (864)	340 (155)

\*Includes 10.5" depth for snout

## **OPTIONS:**

- Stainless Steel liner
- Fully welded stainless steel liner (coved corners)
- Prison Package
- Flanged feet

## **AVAILABLE ACCESSORIES:**

- Paddle
- Scoops
- Totes
- Bagging Kit
- Carts

Toll Free Phone: 1-800-346-3246    Local Phone: 303-761-1615

Email: [sales@kloppenber.com](mailto:sales@kloppenber.com)

Please send all PO's to [purchaseorders@kloppenber.com](mailto:purchaseorders@kloppenber.com)