



48" Upright Bins

Model Number

1045

1315



1045 shown



FEATURES

- Stainless steel front and sides
- Galvanized steel back and bottom
- Large opening for scoop dispensing
- Seamless polyethylene liner with coved corners
- 1 ½" foamed in-place polyurethane insulation
- Stainless steel baffle prevents ice overflow
- Adjustable feet
- Factory installed 1" NPS stainless steel drain
- Spring loaded door hinge
- Transparent view windows

ASSEMBLY REQUIRED

- Snout (tool-free)
- Feet

Toll Free Phone: 1-800-346-3246

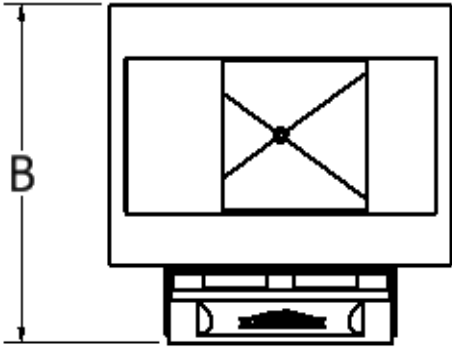
Local Phone: (303) 761-1615

E-mail: sales@kloppenberg.com

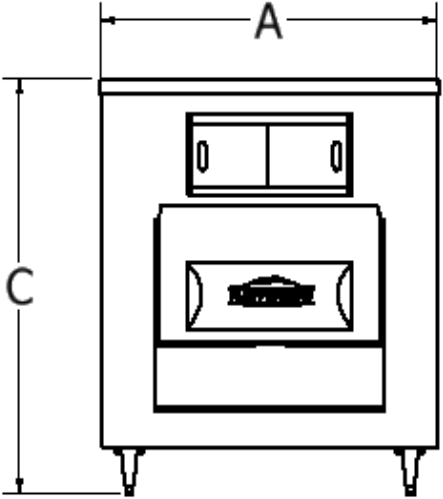
www.kloppenberg.com

Model Number
1045
1315

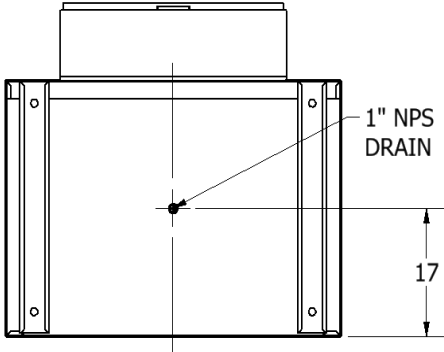
48" Upright Bins



TOP VIEW



FRONT VIEW



BOTTOM VIEW

Model Number	Capacity lbs (kg)	A-Width in (mm)	B-Depth* in (mm)	C-Height in (mm)	Minimum Door Clearance in (mm)	Ship Weight lbs (kg)
1045	1,161 (526)	48 (1,219)	44.5 (1,130)	55 (1,397)	34 (864)	300 (136)
1315	1,457 (660)	48 (1,219)	44.5 (1,130)	67 (1,701)	34 (864)	340 (155)

*Includes 10.5" depth for snout

OPTIONS:

- Stainless Steel liner
- Fully welded stainless steel liner (coved corners)
- Prison Package
- Flanged feet

AVAILABLE ACCESSORIES:

- Paddle
- Scoops
- Totes
- Bagging Kit
- Carts

Toll Free Phone: 1-800-346-3246 Local Phone: 303-761-1615
 Email: sales@kloppenber.com
 Please send all PO's to purchaseorders@kloppenber.com