



60" Upright Bins

Model Number
1915
2415



2415 shown



NAFEM

North American Association of
Food Equipment Manufacturers

Toll Free Phone: 1-800-346-3246

Local Phone: (303) 761-1615

E-mail: sales@kloppenberg.com

www.kloppenberg.com

FEATURES

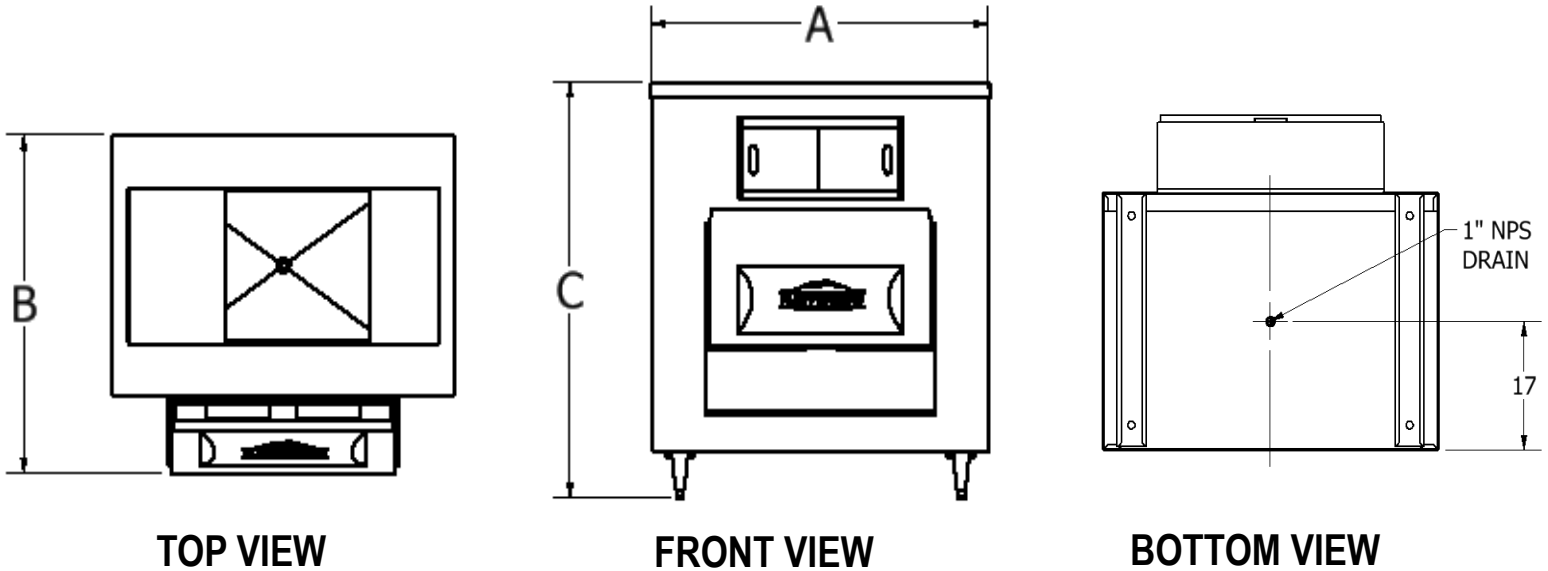
- Full stainless steel—front, back, bottom, sides and liner
- Large opening for scoop dispensing
- 1 ½" foamed in-place polyurethane insulation
- Stainless steel baffle prevents ice overflow
- Adjustable feet
- Factory installed 1" NPS stainless steel drain
- Spring loaded door hinge
- Transparent view windows

ASSEMBLY REQUIRED

- Snout (tool-free)
- Feet

Model Number
1915
2415

60" Upright Bins



Model Number	Capacity lbs (kg)	A-Width in (mm)	B-Depth* in (mm)	C-Height in (mm)	Minimum Door Clearance	Ship Weight lbs (kg)
1915	2,180 (988)	60 (1,524)	58.5 (1,485)	55 (1,397)	48 (1,219)	440 (200)
2415	2,725 (1,236)	60 (1,524)	58.5 (1,485)	67 (1,727)	48 (1,219)	635 (289)

*Includes 10.5" depth for snout

OPTIONS:

- Stainless Steel liner
- Fully welded stainless steel liner (coved corners)
- Prison Package
- Flanged feet

AVAILABLE ACCESSORIES:

- Paddle
- Scoops
- Totes
- Bagging Kit
- Carts

Toll Free Phone: 1-800-346-3246 Local Phone: 303-761-1615

Email: sales@kloppenberg.com

Please send all PO's to purchaseorders@kloppenberg.com