

V-Series 80 Qt. Mixer

The kitchen workhorse, for a wide range of heavy-duty mixing applications.



MODELS

- V80** 80 qt. Standard **V80PL** 80 qt. Power Lift

STANDARD FEATURES

- Stainless steel top cover, planetary cover, bayonet shaft, bowl guard and legs
- IP32 rated
- Powerful 4 HP motor with variable speed drive and agitator speed range from 47 RPMs to 257 RPMs
- #12 attachment hub with 198 RPM speed
- No bowl adapters required for down-sizing bowls
- Hydraulic damper for easier bowl lowering, and single lever manually raises bowl and locks into position
- Front-mounted controls with 90-minute timer and emergency stop with power bowl lift for V80PL only
- Durable powder coated finish on legs and outer surfaces not constructed of stainless steel
- High torque transmission
- Permanently lubricated planetary head & attachment hub case
- Bowl scraper bracket affixes to planetary head
- Grease lubricated, anti-friction ball bearings
- Patent-pending interlock prevents operation if guard is opened or bowl is lowered
- Overload protection and no volt release
- Non-skid rubber feet
- 6 foot cord
- ETL and NSF listed
- Made in Denmark

STANDARD ACCESSORIES

- **VBOWL-80** – Stainless steel bowl
- **VBEAT-80A** – Aluminum flat beater
- **VWHIP-80** – Stainless steel wire whip
- **VHOOK-80** – Stainless steel dough hook
- **VCHUTE** – Stainless steel ingredient chute

WARRANTY

- **NEW!** Four-year parts & labor limited warranty

OPTIONAL ACCESSORIES/ATTACHMENTS

- 40 qt. bowl and attachments
- Bowl scraper - 80 qt. or 40 qt. options
- Bowl truck
- Correctional, Stainless Steel and Marine models

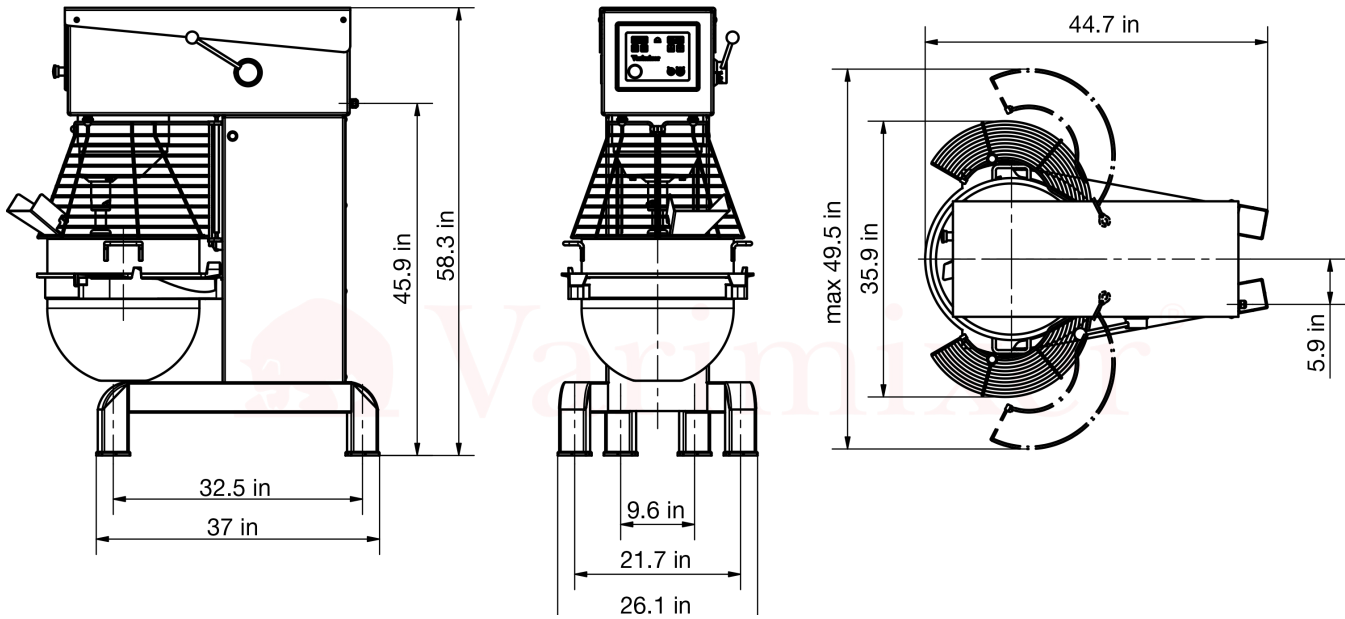
To select options see back



ETL listed
Conforms to UL Std 763
Certified to CSA Std C22.2 No. 195

Approved by: _____

Date: _____



SPECIFICATIONS

Model	Motor	Volts	Amp	Plug Type	Mixing Speeds	Hub Speeds	IP Rating
V80	4 HP	208/60/3	13	--	47 - 257 RPMs	198 RPMs	IP32
V80PL	4 HP	208/60/3	13	--	47 - 257 RPMs	198 RPMs	IP32

Delivered without plug. Specify voltage when ordering.

DIMENSIONS | SHIPPING INFORMATION

Reinforced carton for shipping. This product ships on a pallet. See dimensions below.

Model	Max Overall Dimensions	Net Wt.	Shipping Dimensions	Ship Wt.	Freight Class
V80	49.5" W x 44.7" D x 58.3" H	750 lbs.	52" W x 33.5" D x 72" H	926 lbs.	70
V80PL	(125.73 cm x 113.5 cm x 148 cm)	(340 kg)	(132.1 cm x 85.1 cm x 182.9 cm)	(420 kg)	65 CU ft.

OPTIONAL/ADDITIONAL ACCESSORIES

- VBOWL40-100 40 qt. bowl
- VSCR40-100 40 qt. scraper
- VSCR-80 80 qt. scraper
- VBEAT-80SS 80 qt. SST beater
- VWINGWHIP-80 80 qt. wire whip
- VHDWHIP-80 80 qt. heavy-duty whip
- VBTRUCK-80 80 qt. bowl truck
- VBTRUCK40-100 40 qt. bowl truck
- VHOOK40-100 40 qt. hook
- VBEAT40-100 40 qt. beater
- VWHIP40-100 40 qt. wire whip
- VWINGWHIP40-100 40 qt. wire whip
- VHDWHIP40-100 40 qt. heavy-duty whip
- XMCA-SS Meat grinder hub assembly
- XSVGH Slicer/Shredder housing
- XSP Slicing plate
- L00783 Strip cutter
- L00670 Meat tenderizer

Heavy-duty 80 qt. mixer with 4 HP motor and variable speed drive with agitator speed range from 47 to 257 RPMs. #12 attachment hub with 198 RPM speed. Stainless steel top cover, bayonet shaft and bowl guard. Non-stainless steel surfaces powder coated finish. Front-mounted controls with 90-minute digital timer. Power bowl lift (V80PL) or bowl lowering lever with hydraulic damper (V80). Permanently lubricated planetary head & attachment hub case. 6 ft. cord. IP32 rated with ETL and NSF certification. Four-year parts & labor limited warranty.