



# BUILT-IN 5 SERIES INDUCTION RANGETOPS

Viking 5 Series – VIRT

## COMMERCIAL-TYPE SURFACE POWER

- MagneQuick™ Induction Power Generators utilize magnetic energy for superior power, responsiveness, and efficiency
- Power management induction system provides a boost of superior power on all elements for faster boil times
- Large 9" induction elements each provide up to 3,700 watts of power
- Simmer setting is perfect for gentle melting or keeping cooked food warm
- 30"W. Model:
  - Four large 9" 3,700–2,300-watt induction elements
- 36"W. Model:
  - Six large 9" 3,700–2,300-watt induction elements
- **NEW** Stainless steel knobs and round bezels shipped standard



VIRT5304



VIRT5364  
*Shown with Brass Accent*

## SAFE-EASY OPERATION AND CLEANUP

- Strong, wear-resistant glass ceramic surface for excellent cleanability
- Element lights indicate hot surfaces and active elements
- Sensor turns off element if cookware is not detected

## MODEL NUMBERS

- VIRT53044B – 30"W. Induction Rangetop; 4 elements
- VIRT53646B – 36"W. Induction Rangetop; 6 elements

## ACCESSORIES

- BG8530SS – 8"H. backguard for 30"W. induction rangetop
- BG8536SS – 8"H. backguard for 36"W. induction rangetop
- HS24530SS – Highshelf for 30"W. induction rangetop
- HS24536SS – Highshelf for 36"W. induction rangetop
- P24CSTSS – countertop side trim (2 pieces)
- P30CRTSS – countertop rear trim for 30"W. rangetop
- P36CRTSS – countertop rear trim for 36"W. rangetop

## COLOR FINISHES

- Available in Stainless Steel (SS)



## BRUSHED BRASS ACCENT

- Available in Stainless Steel Finish and Exclusive Color Finishes
- Brass Accent includes handle endcaps, knob bezels, and logo

## WARRANTY

- 2-year full – complete product
- 90-day full – cosmetic parts such as glass, painted items and decorative items
- 5-year limited – induction element components

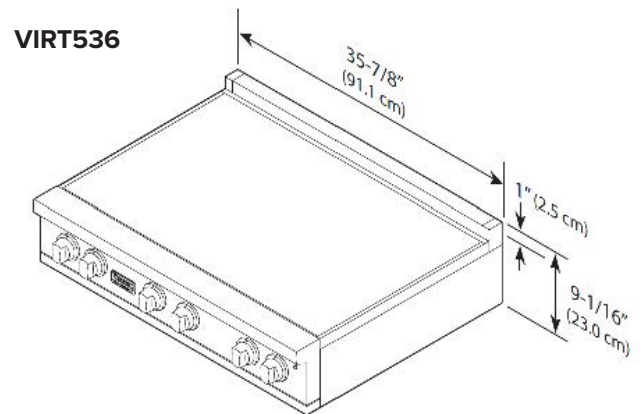
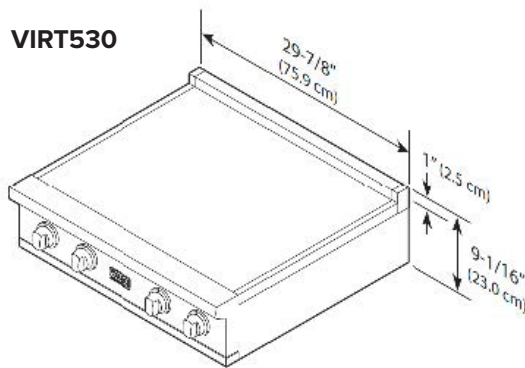


# BUILT-IN 5 SERIES INDUCTION RANGETOPS

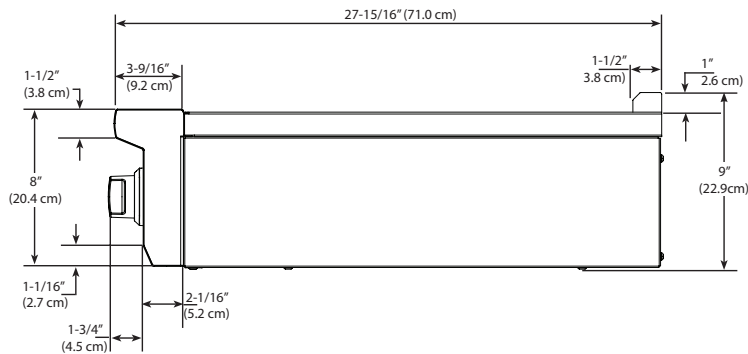
Viking 5 Series – VIRT

INDUCTION 30" AND 36"W. RANGETOPS		
DESCRIPTION	VIRT530	VIRT536
Overall Width	29-7/8" (75.9 cm)	35-7/8" (90.6 cm)
Overall Height (from bottom)	To top of coking surface – 8" (20.4 cm)	
Overall Depth (from rear)	To end of side panel – 24-5/16" (61.8 cm) To end of landing edge – 27-15/16" (71.0 cm) To end of knobs – 28-3/16" (71.6 cm)	
Cutout Dimensions	Cutout width—30" (91.4 cm) Cutout height—7-1/2" (19.1 cm) Cutout depth—24" (61.0 cm)	Cutout width—36" (121.9 cm) Cutout height—7-1/2" (19.1 cm) Cutout depth—24" (61.0 cm)
Electrical Requirements	3-Wire 240-208V 50/60Hz 40amp	3-Wire 240-208V 50/60Hz 50amp
Max. Amp Usage	240V - 34.6 A (8.3 kW) 208V - 29.8 A (6.2 kW)	240V - 49.2 A (11.8 kW) 208V - 42.6 A (8.9 kW)
Surface Element Rating (watts)	(4) 3700/2300 W	(6) 3700/2300 W
Approximate Shipping Weight	110 lbs. (49.5 kg)	165 lbs. (74.3 kg)

Please do not prepare installation from brochure data only. See installation instructions for important clearance/installation information.



SIDE VIEW



VIKING RANGE, LLC 111 FRONT STREET GREENWOOD, MISSISSIPPI 38930 USA

For detailed product information, model numbers, or to request a quote call 1-888-845-4641 or visit [vikingrange.com](http://vikingrange.com)  
© 2026 Viking Range, LLC All rights reserved. Specifications subject to change without notice.