

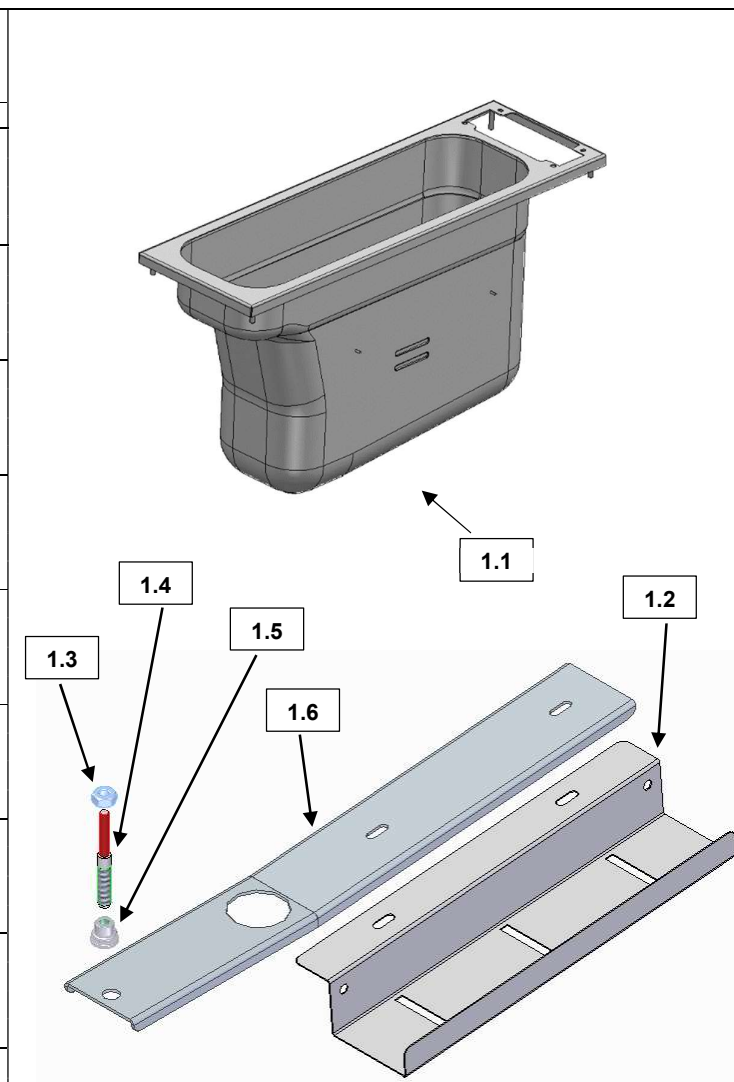


Touch / Precision  
Drop In

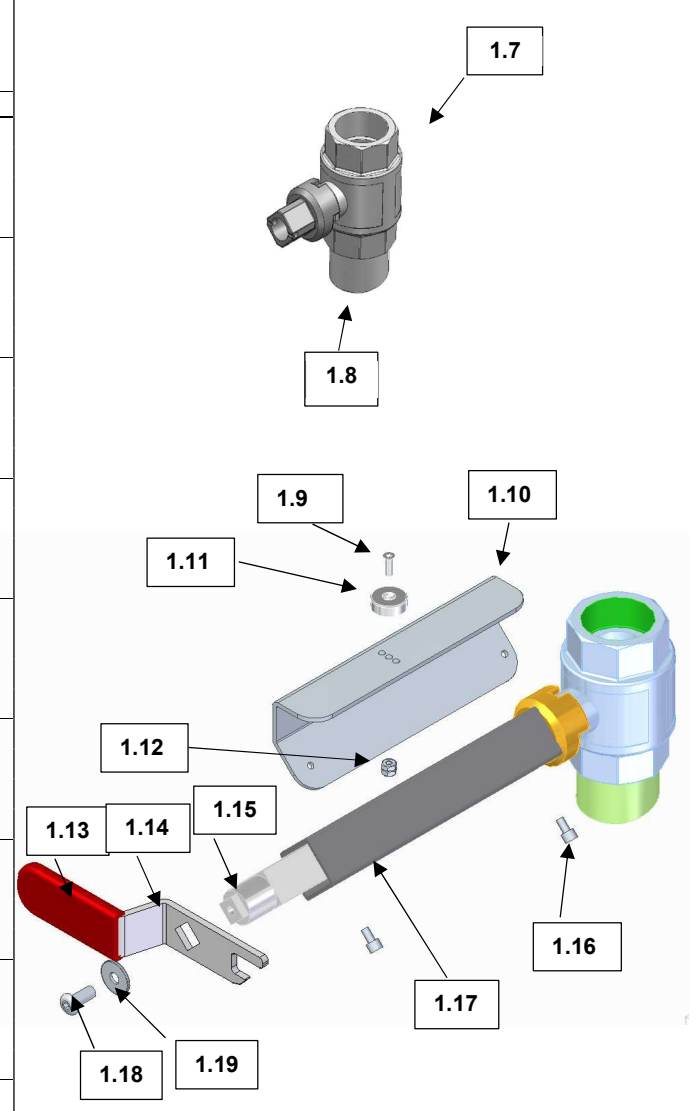
Spare Parts  
Ersatzteile  
Des pièces de rechange  
Pezzi di ricambio



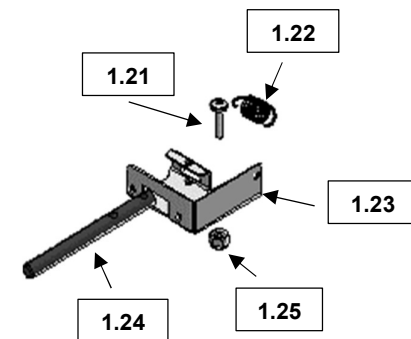
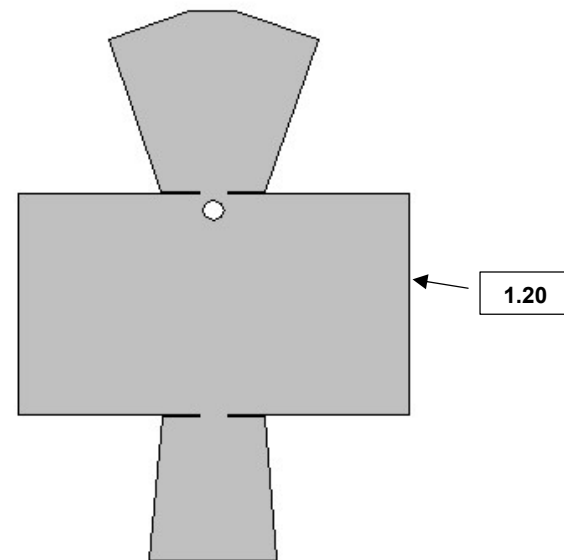
| No       | Part N°<br>Teile-Nr<br>Numéro de pièce<br>Parte n | Description / Beschreibung / Descrizione | Number of parts per model<br>Anzahl der Teile pro Modell<br>Nombre de pièces par modèle<br>Numero di parti per modello |     |     |     |     |     |     |     |  |
|----------|---|--|--|-----|-----|-----|-----|-----|-----|-----|--|
|          |   |  | 211  | 311 | 411 | 412 | 422 | 522 | 622 | 633 |  |
| 1.1      | FZ302050  | Tank                                     | 1  |     |     |     |     |     |     |     |  |
|          |   | Panzer                                   |  |     |     |     |     |     |     |     |  |
|          |   | Cuve                                     |  |     |     |     |     |     |     |     |  |
|          |   | Cisterna                                 |  |     |     |     |     |     |     |     |  |
|          | FZ302051  | Tank                                     |  | 1   |     |     |     |     |     |     |  |
|          |   | Panzer                                   |  |     |     |     |     |     |     |     |  |
|          |   | Cuve                                     |  |     |     |     |     |     |     |     |  |
|          |   | Cisterna                                 |  |     |     |     |     |     |     |     |  |
|          | FZ302052  | Tank                                     |  |     | 1   | 1   |     |     |     |     |  |
|          |   | Panzer                                   |  |     |     |     |     |     |     |     |  |
|          |   | Cuve                                     |  |     |     |     |     |     |     |     |  |
|          |   | Cisterna                                 |  |     |     |     |     |     |     |     |  |
|          | FZ302053  | Tank                                     |  |     |     |     | 1   |     |     |     |  |
|          |   | Panzer                                   |  |     |     |     |     |     |     |     |  |
|          |   | Cuve                                     |  |     |     |     |     |     |     |     |  |
|          |   | Cisterna                                 |  |     |     |     |     |     |     |     |  |
|          | FZ302054  | Tank                                     |  |     |     |     |     | 1   |     |     |  |
|          |   | Panzer                                   |  |     |     |     |     |     |     |     |  |
|          |   | Cuve                                     |  |     |     |     |     |     |     |     |  |
|          |   | Cisterna                                 |  |     |     |     |     |     |     |     |  |
|          | FZ302055  | Tank                                     |  |     |     |     |     | 1   |     |     |  |
| Panzer   |   |  |  |     |     |     |     |     |     |     |  |
| Cuve     |   |  |  |     |     |     |     |     |     |     |  |
| Cisterna |   |  |  |     |     |     |     |     |     |     |  |
| TA136    | Tank  |  |  |     |     |     |     | 1   |     |     |  |
|          | Panzer  |  |  |     |     |     |     |     |     |     |  |
|          | Cuve  |  |  |     |     |     |     |     |     |     |  |
|          | Cisterna  |  |  |     |     |     |     |     |     |     |  |
| 1.2      | 211201  | Cable Channel                            | 1  | 1   | 1   | 1   | 2   | 2   | 2   | 3   |  |
|          |   | Kabelkanal                               |  |     |     |     |     |     |     |     |  |
|          |   | Chaîne câblée                            |  |     |     |     |     |     |     |     |  |
|          |   | Canale via cavo                          |  |     |     |     |     |     |     |     |  |
| 1.3      | FAS039  | M8 Nut                                   | 1  | 1   | 1   | 1   | 2   | 2   | 2   | 3   |  |
|          |   | M8 Schraubenmutter                       |  |     |     |     |     |     |     |     |  |
|          |   | M8 l'écrou                               |  |     |     |     |     |     |     |     |  |
|          |   | M8 Dado                                  |  |     |     |     |     |     |     |     |  |



| No   | Part N°<br>Teile-Nr<br>Numéro de pièce<br>Parte n | Description / Beschreibung / Descrizione | Number of parts per model<br>Anzahl der Teile pro Modell<br>Nombre de pièces par modèle<br>Numero di parti per modello |     |     |     |     |     |     |     |
|------|---|--|--|-----|-----|-----|-----|-----|-----|-----|
|      |   |  | 211  | 311 | 411 | 412 | 422 | 522 | 622 | 633 |
| 1.4  | FZ214116  | Hamlin Switch                            | 1  | 1   | 1   | 1   | 2   | 2   | 2   | 3   |
|      |   | Hamlin-Schalter                          |  |     |     |     |     |     |     |     |
|      |   | Commutateur Hamlin                       |  |     |     |     |     |     |     |     |
|      |   | Interruttore Hamlin                      |  |     |     |     |     |     |     |     |
| 1.5  | D24/052   | M8 Rivet Nut                             | 1  | 1   | 1   | 1   | 2   | 2   | 2   | 3   |
|      |   | M8 Nietmutter                            |  |     |     |     |     |     |     |     |
|      |   | M8 Écrou à Riveter                       |  |     |     |     |     |     |     |     |
|      |   | M8 Rivetto Dado                          |  |     |     |     |     |     |     |     |
| 1.6  | 39854   | Switch Support                           | 1  | 1   | 1   | 1   | 2   | 2   | 2   | 3   |
|      |   | Schalterunterstützung                    |  |     |     |     |     |     |     |     |
|      |   | prise en charge du commutateur           |  |     |     |     |     |     |     |     |
|      |   | Cambia supporto                          |  |     |     |     |     |     |     |     |
| 1.7  | FZ401101  | Drain Valve 1"                           | 1  | 1   | 1   | 1   | 2   | 2   | 2   | 3   |
|      |   | Ablassventil 1"                          |  |     |     |     |     |     |     |     |
|      |   | Vanne de vidange 1"                      |  |     |     |     |     |     |     |     |
|      |   | Valvola di scarico 1"                    |  |     |     |     |     |     |     |     |
| 1.8  | FZ211055  | Drain Fitting                            | 1  | 1   | 1   | 1   | 2   | 2   | 2   | 3   |
|      |   | Ablaufgarnitur                           |  |     |     |     |     |     |     |     |
|      |   | Raccord de vidange                       |  |     |     |     |     |     |     |     |
|      |   | Raccordo di scarico                      |  |     |     |     |     |     |     |     |
| 1.9  | FZ400882  | M3 x 10 Screw                            | 1  | 1   | 1   | 1   | 2   | 2   | 2   | 3   |
|      |   | M3 x 10 Schraube                         |  |     |     |     |     |     |     |     |
|      |   | Vis M3 x 10                              |  |     |     |     |     |     |     |     |
|      |   | Vite M3 x 10                             |  |     |     |     |     |     |     |     |
| 1.10 | 39856   | Magnet Bracket                           | 1  | 1   | 1   | 1   | 2   | 2   | 2   | 3   |
|      |   | Magnetische Halterung                    |  |     |     |     |     |     |     |     |
|      |   | Support magnétique                       |  |     |     |     |     |     |     |     |
|      |   | Staffa magnetica                         |  |     |     |     |     |     |     |     |
| 1.11 | FZ401103  | M5 Flat Washer                           | 1  | 1   | 1   | 1   | 2   | 2   | 2   | 3   |
|      |   | M5 Unterlegscheibe                       |  |     |     |     |     |     |     |     |
|      |   | Rondelle plate M5                        |  |     |     |     |     |     |     |     |
|      |   | M5 Rondella piana                        |  |     |     |     |     |     |     |     |



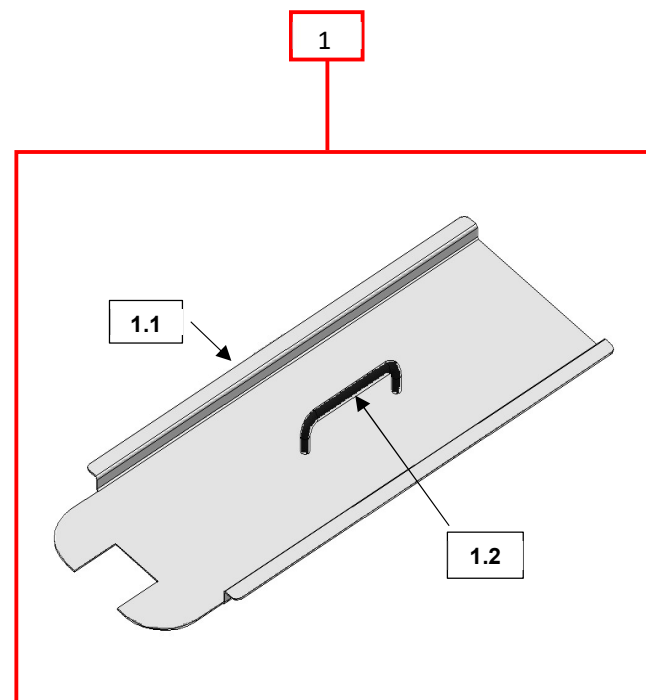
| No   | Part N°<br>Teile-Nr<br>Numéro de pièce<br>Parte n | Description / Beschreibung / Descrizione | Number of parts per model<br>Anzahl der Teile pro Modell<br>Nombre de pièces par modèle<br>Numero di parti per modello |     |     |     |     |     |     |     |
|------|---|--|--|-----|-----|-----|-----|-----|-----|-----|
|      |   |  | 211  | 311 | 411 | 412 | 422 | 522 | 622 | 633 |
| 1.12 | FAS016  | M3 Nut                                   | 2  | 2   | 2   | 2   | 4   | 4   | 4   | 6   |
|      |   | M3 Schraubenmutter                       |  |     |     |     |     |     |     |     |
|      |   | M3 l'écrou                               |  |     |     |     |     |     |     |     |
|      |   | M3 Dado                                  |  |     |     |     |     |     |     |     |
| 1.13 | SL32  | Lever sleeve                             | 1  | 1   | 1   | 1   | 2   | 2   | 2   | 3   |
|      |   | Hebelhülse                               |  |     |     |     |     |     |     |     |
|      |   | Manchon de levier                        |  |     |     |     |     |     |     |     |
|      |   | Manicotto della leva                     |  |     |     |     |     |     |     |     |
| 1.14 | 211043  | Lever Handle                             | 1  | 1   | 1   | 1   | 2   | 2   | 2   | 3   |
|      |   | Hebelhülse                               |  |     |     |     |     |     |     |     |
|      |   | Manchon de levier                        |  |     |     |     |     |     |     |     |
|      |   | Manicotto della leva                     |  |     |     |     |     |     |     |     |
| 1.15 | FZ211042  | Valve Axis                               | 1  | 1   | 1   | 1   | 2   | 2   | 2   | 3   |
|      |   | Ventilachse                              |  |     |     |     |     |     |     |     |
|      |   | Axe de vanne                             |  |     |     |     |     |     |     |     |
|      |   | Asse della valvola                       |  |     |     |     |     |     |     |     |
| 1.16 | FZ401108  | M3 x 6 Hex Screw                         | 4  | 4   | 4   | 4   | 8   | 8   | 8   | 12  |
|      |   | M3 x 6 Sechskantschraube                 |  |     |     |     |     |     |     |     |
|      |   | Vis hexagonale M3 x 6                    |  |     |     |     |     |     |     |     |
|      |   | Vite esagonale M3 x 6                    |  |     |     |     |     |     |     |     |
| 1.17 | FZ101489  | Drain Valve Extension                    | 1  | 1   | 1   | 1   | 2   | 2   | 2   | 3   |
|      |   | Verlängerung des Ablaufventils           |  |     |     |     |     |     |     |     |
|      |   | Rallonge de vanne de vidange             |  |     |     |     |     |     |     |     |
|      |   | Estensione della valvola di scarico      |  |     |     |     |     |     |     |     |
| 1.18 | FAS591  | M5 x 12 Hex Screw                        | 1  | 1   | 1   | 1   | 2   | 2   | 2   | 3   |
|      |   | M5 x 12 Sechskantschraube                |  |     |     |     |     |     |     |     |
|      |   | Vis hexagonale M5 x 12                   |  |     |     |     |     |     |     |     |
|      |   | Vite esagonale M5 x 12                   |  |     |     |     |     |     |     |     |
| 1.19 | FZ401103  | M5 Flat Washer                           | 1  | 1   | 1   | 1   | 2   | 2   | 2   | 3   |
|      |   | M5 Unterlegscheibe                       |  |     |     |     |     |     |     |     |
|      |   | Rondelle plate M5                        |  |     |     |     |     |     |     |     |
|      |   | M5 Rondella piana                        |  |     |     |     |     |     |     |     |
| 1.20 | FZ211221  | Tank Insulation                          | 1  |     |     |     |     | 1   |     |     |
|      |   | Tankisolierung                           |  |     |     |     |     |     |     |     |
|      |   | Isolation du reservoir                   |  |     |     |     |     |     |     |     |
|      |   | Isolamento del serbatoio                 |  |     |     |     |     |     |     |     |



| No   | Part N°<br>Teile-Nr<br>Numéro de pièce<br>Parte n | Description / Beschreibung / Descrizione | Number of parts per model<br>Anzahl der Teile pro Modell<br>Nombre de pièces par modèle<br>Numero di parti per modello |     |     |     |     |     |     |     |
|------|---|--|--|-----|-----|-----|-----|-----|-----|-----|
|      |   |  | 211  | 311 | 411 | 412 | 422 | 522 | 622 | 633 |
| 1.20 | FZ311221  | Tank Insulation                          |  |     |     |     |     |     |     |     |
|      |   | Tankisolierung                           |  | 1   |     |     |     | 1   |     |     |
|      |   | Isolation du reservoir                   |  |     |     |     |     |     |     |     |
|      |   | Isolamento del serbatoio                 |  |     |     |     |     |     |     |     |
|      | FZ411221  | Tank Insulation                          |  |     |     |     |     |     |     |     |
|      |   | Tankisolierung                           |  |     | 1   | 1   | 1   |     |     |     |
|      |   | Isolation du reservoir                   |  |     |     |     |     |     |     |     |
|      |   | Isolamento del serbatoio                 |  |     |     |     |     |     |     |     |
|      | RO317   | Tank Insulation                          |  |     |     |     |     |     |     |     |
|      |   | Isolation du reservoir                   |  |     |     |     |     |     | 1   | 1   |
|      |   | Isolamento del serbatoio                 |  |     |     |     |     |     |     |     |
|      |   | Isolamento del serbatoio                 |  |     |     |     |     |     |     |     |
| 1.21 | FZ09401304  | M3 x 16 Screw                            |  |     |     |     |     |     |     |     |
|      |   | M3 x 16 Schraube                         | 1  | 1   | 1   | 1   | 2   | 2   | 2   | 3   |
|      |   | Vis M3 x 16                              |  |     |     |     |     |     |     |     |
|      |   | Vite M3 x 16                             |  |     |     |     |     |     |     |     |
| 1.22 | FZ401168  | 23mm Spring                              |  |     |     |     |     |     |     |     |
|      |   | 23mm Feder                               | 1  | 1   | 1   | 1   | 2   | 2   | 2   | 3   |
|      |   | Ressort 23mm                             |  |     |     |     |     |     |     |     |
|      |   | Molla da 23 mm                           |  |     |     |     |     |     |     |     |
| 1.23 | FZ600467  | Safety Lock                              |  |     |     |     |     |     |     |     |
|      |   | Verriegelung Mon.                        | 1  | 1   | 1   | 1   | 2   | 2   | 2   | 3   |
|      |   | Verouillage de Vanne Ass.                |  |     |     |     |     |     |     |     |
|      |   | Blocco di Sicurezza                      |  |     |     |     |     |     |     |     |
| 1.24 | FZ101148  | Safety Lever                             |  |     |     |     |     |     |     |     |
|      |   | Sicherheitshebel                         | 1  | 1   | 1   | 1   | 2   | 2   | 2   | 3   |
|      |   | Levier de sécurité                       |  |     |     |     |     |     |     |     |
|      |   | Leva di sicurezza                        |  |     |     |     |     |     |     |     |
| 1.25 | FAS016  | M3 Nut                                   |  |     |     |     |     |     |     |     |
|      |   | M3 Schraubenmutter                       | 2  | 2   | 2   | 2   | 4   | 4   | 4   | 6   |
|      |   | M3 l' écrou                              |  |     |     |     |     |     |     |     |
|      |   | M3 Dado                                  |  |     |     |     |     |     |     |     |



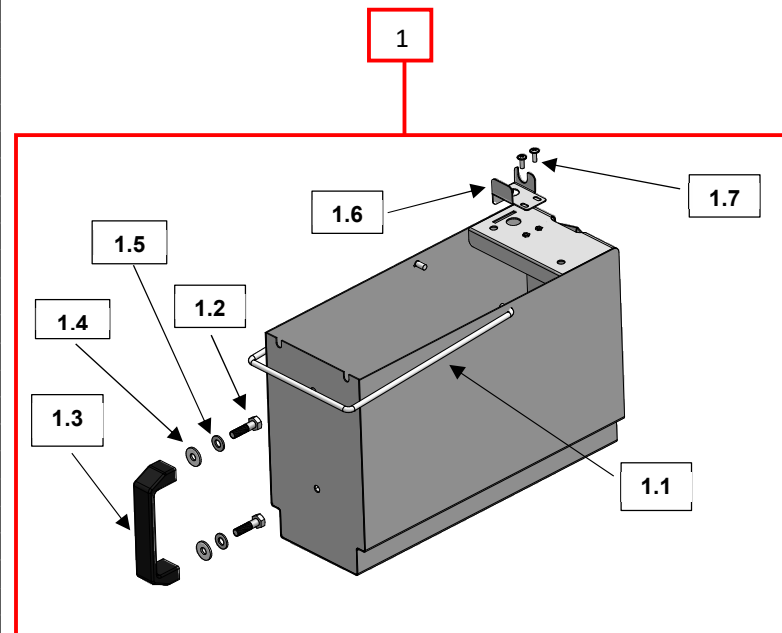
| No   | Part N°<br>Teile-Nr<br>Numéro de pièce<br>Parte n | Description / Beschreibung / Descrizione | Number of parts per model<br>Anzahl der Teile pro Modell<br>Nombre de pièces par modèle<br>Numero di parti per modello |     |     |     |     |     |     |     |  |
|------|---|--|--|-----|-----|-----|-----|-----|-----|-----|--|
|      |   |  | 211  | 311 | 411 | 412 | 422 | 522 | 622 | 633 |  |
| 1    | FZ216059  | Tank Lid complete                        | 1  |     |     |     | 2   | 1   |     | 3   |  |
|      |   | Tankdeckel komplett                      |  |     |     |     |     |     |     |     |  |
|      |   | Couvercle du réservoir complet           |  |     |     |     |     |     |     |     |  |
|      |   | Coperchio del serbatoio completo         |  |     |     |     |     |     |     |     |  |
|      | FZ316059  | Tank Lid complete                        |  | 1   |     |     |     |     | 1   | 2   |  |
|      |   | Tankdeckel komplett                      |  |     |     |     |     |     |     |     |  |
|      |   | Couvercle du réservoir complet           |  |     |     |     |     |     |     |     |  |
|      |   | Coperchio del serbatoio completo         |  |     |     |     |     |     |     |     |  |
|      | FZ416059  | Tank Lid complete                        |  |     | 1   |     |     |     |     |     |  |
|      |   | Tankdeckel komplett                      |  |     |     |     |     |     |     |     |  |
|      |   | Couvercle du réservoir complet           |  |     |     |     |     |     |     |     |  |
|      |   | Coperchio del serbatoio completo         |  |     |     |     |     |     |     |     |  |
| LI59 | Tank Lid complete                                 |  |  |     | 1   |     |     |     |     |     |  |
|      | Tankdeckel komplett                               |  |  |     |     |     |     |     |     |     |  |
|      | Couvercle du réservoir complet                    |  |  |     |     |     |     |     |     |     |  |
|      | Coperchio del serbatoio completo                  |  |  |     |     |     |     |     |     |     |  |
| 1.1  | 50285   | Lid                                      | 1  |     |     |     | 2   | 1   |     | 3   |  |
|      |   | Deckel                                   |  |     |     |     |     |     |     |     |  |
|      |   | Couvercle                                |  |     |     |     |     |     |     |     |  |
|      |   | Coperchio                                |  |     |     |     |     |     |     |     |  |
|      | 50286   | Lid                                      |  | 1   |     |     |     |     | 1   | 2   |  |
|      |   | Deckel                                   |  |     |     |     |     |     |     |     |  |
|      |   | Couvercle                                |  |     |     |     |     |     |     |     |  |
|      |   | Coperchio                                |  |     |     |     |     |     |     |     |  |
|      | 50287   | Lid                                      |  |     |     | 1   |     |     |     |     |  |
|      |   | Deckel                                   |  |     |     |     |     |     |     |     |  |
|      |   | Couvercle                                |  |     |     |     |     |     |     |     |  |
|      |   | Coperchio                                |  |     |     |     |     |     |     |     |  |
|      | 50288   | Lid                                      |  | 1*  |     |     |     |     |     |     |  |
|      |   | Deckel                                   |  |     |     |     |     |     |     |     |  |
|      |   | Couvercle                                |  |     |     |     |     |     |     |     |  |
|      |   | Coperchio                                |  |     |     |     |     |     |     |     |  |



| No   | Part N°<br>Teile-Nr<br>Numéro de pièce<br>Parte n | Description / Beschreibung / Descrizione | Number of parts per model<br>Anzahl der Teile pro Modell<br>Nombre de pièces par modèle<br>Numero di parti per modello |     |     |     |     |     |     |     |
|--|---|--|--|-----|-----|-----|-----|-----|-----|-----|
|  |   |  | 211  | 311 | 411 | 412 | 422 | 522 | 622 | 633 |
| 1.1  | 50289   | Lid                                      |  |     |     |     |     |     |     |     |
|  |   | Deckel                                   |  |     | 1   |     |     |     |     |     |
|  |   | Couvercle                                |  |     |     |     |     |     |     |     |
|  |   | Coperchio                                |  |     |     |     |     |     |     |     |
| 1.2  | FZ400623  | Handle                                   |  |     |     |     |     |     |     |     |
|  |   | Handhaben                                |  |     |     |     |     |     |     |     |
|  |   | Gérer                                    | 1  | 1   | 1   | 1   | 2   | 2   | 2   | 3   |
|  |   | Maniglia                                 |  |     |     |     |     |     |     |     |
| 1.3  | FZ400431  | M4 x 8 Screw not shown                   |  |     |     |     |     |     |     |     |
|  |   | M4 x 8 Schraube nicht abgebildet         |  |     |     |     |     |     |     |     |
|  |   | Vis M4 x 8 non                           | 2  | 2   | 2   | 2   | 4   | 4   | 4   | 6   |
|  |   | Vite M4 x 8 non mostrata illustrée       |  |     |     |     |     |     |     |     |
| <p>Note: * For use with small baskets<br/> Notiz: * Zur Verwendung mit kleinen Körben.<br/> Note: * À utiliser avec de petits paniers.<br/> Nota: * Da utilizzare con cestini piccoli.</p> |   |  |  |     |     |     |     |     |     |     |
|  |   |  |  |     |     |     |     |     |     |     |
|  |   |  |  |     |     |     |     |     |     |     |
|  |   |  |  |     |     |     |     |     |     |     |
|  |   |  |  |     |     |     |     |     |     |     |

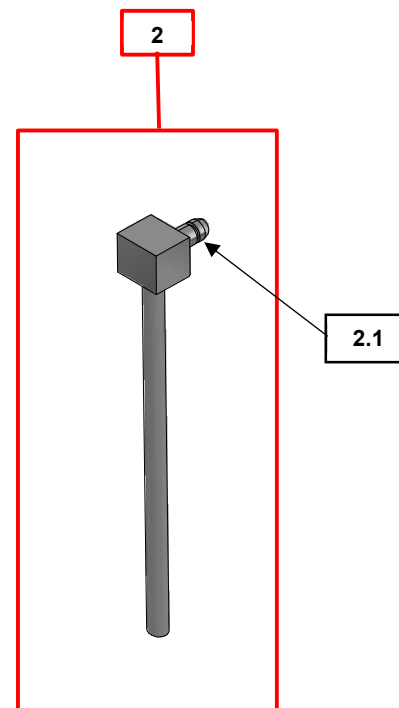


| No  | Part N°<br>Teile-Nr<br>Numéro de pièce<br>Parte n                   | Description / Beschreibung /<br>Descrizione | Number of parts per model<br>Anzahl der Teile pro Modell<br>Nombre de pièces par modèle<br>Numero di parti per modello |     |     |     |     |     |     |
|---|---|---|--|-----|-----|-----|-----|-----|-----|
|   |   |   | 211  | 311 | 411 | 412 | 422 | 622 | 633 |
| 1   | OB09  | Bucket Assembly                             | 1  |     |     |     | 2   |     | 3   |
|   |   | Eimermontage                                |  |     |     |     |     |     |     |
|   |   | Assemblage du godet                         |  |     |     |     |     |     |     |
|   |   | Montaggio della benna                       |  |     |     |     |     |     |     |
|   | OB10  | Bucket Assembly                             |  | 1   |     |     |     | 2   |     |
|   |   | Eimermontage                                |  |     |     |     |     |     |     |
|   |   | Assemblage du godet                         |  |     |     |     |     |     |     |
|   |   | Montaggio della benna                       |  |     |     |     |     |     |     |
|   | OB11<br>single pump<br>Einzelpumpe<br>pompe simple<br>singola pompa | Bucket Assembly                             |  |     | 1   | 1   | 1   |     |     |
|   |   | Eimermontage                                |  |     |     |     |     |     |     |
|   |   | Assemblage du godet                         |  |     |     |     |     |     |     |
|   |   | Montaggio della benna                       |  |     |     |     |     |     |     |
| OB12<br>single pump<br>Einzelpumpe<br>pompe simple<br>singola pompa | Bucket Assembly   |   |  |     |     |     | 1   | 1   |     |
|   | Eimermontage  |   |  |     |     |     |     |     |     |
|   | Assemblage du godet   |   |  |     |     |     |     |     |     |
|   | Montaggio della benna   |   |  |     |     |     |     |     |     |
| 1.1   | HA127   | Rod handle                                  | 1  |     |     |     | 2   |     | 3   |
|   |   | Stangengriff                                |  |     |     |     |     |     |     |
|   |   | Poignée de tige                             |  |     |     |     |     |     |     |
|   |   | Manico ad asta                              |  |     |     |     |     |     |     |
|   | HA128   | Rod handle                                  |  | 1   |     |     |     | 2   |     |
|   |   | Stangengriff                                |  |     |     |     |     |     |     |
|   |   | Poignée de tige                             |  |     |     |     |     |     |     |
|   |   | Manico ad asta                              |  |     |     |     |     |     |     |
|   | HA129   | Rod handle                                  |  |     | 1   | 1   | 1   |     |     |
|   |   | Stangengriff                                |  |     |     |     |     |     |     |
|   |   | Poignée de tige                             |  |     |     |     |     |     |     |
|   |   | Manico ad asta                              |  |     |     |     |     |     |     |
|   | HA130   | Rod handle                                  |  |     |     |     |     | 1   | 1   |
|   |   | Stangengriff                                |  |     |     |     |     |     |     |
|   |   | Poignée de tige                             |  |     |     |     |     |     |     |
|   |   | Manico ad asta                              |  |     |     |     |     |     |     |
|   |   |   |  |     |     |     |     |     |     |
|   |   |   |  |     |     |     |     |     |     |
|   |   |   |  |     |     |     |     |     |     |
|   |   |   |  |     |     |     |     |     |     |

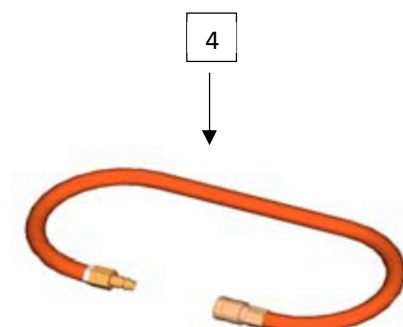
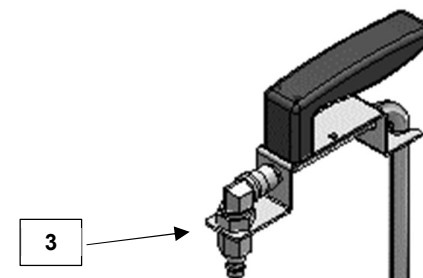




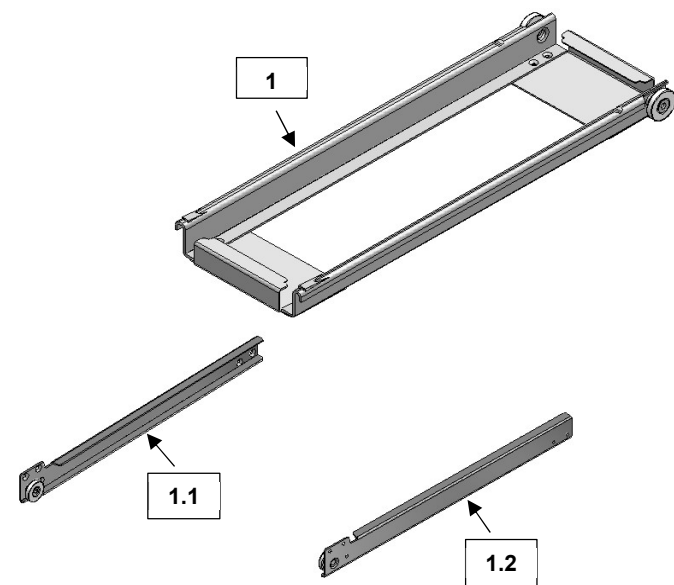
| No  | Part N°<br>Teile-Nr<br>Numéro de pièce<br>Parte n | Description / Beschreibung /<br>Descrizione     | Number of parts per model<br>Anzahl der Teile pro Modell<br>Nombre de pièces par modèle<br>Numero di parti per modello |     |     |     |     |     |     |
|-----|---|---|--|-----|-----|-----|-----|-----|-----|
|     |   |   | 211  | 311 | 411 | 412 | 422 | 622 | 633 |
| 1.2 | FZ400859  | M8 x 10 Screw                                   | 2  | 2   | 2   | 2   | 4   | 4   | 6   |
|     |   | M8 x 10 Schraube                                |  |     |     |     |     |     |     |
|     |   | Vis M8 x10                                      |  |     |     |     |     |     |     |
|     |   | Vite M8 x 10                                    |  |     |     |     |     |     |     |
| 1.3 | FZ400804  | Grab Handle                                     | 1  | 1   | 1   | 1   | 2   | 2   | 3   |
|     |   | M8 x 10 Schraube                                |  |     |     |     |     |     |     |
|     |   | Poignée   |  |     |     |     |     |     |     |
|     |   | Afferra la maniglia                             |  |     |     |     |     |     |     |
| 1.4 | FAS661  | M8 PTFE Washer                                  | 2  | 2   | 2   | 2   | 4   | 4   | 6   |
|     |   | M8 PTFE-Unterlegscheibe                         |  |     |     |     |     |     |     |
|     |   | Rondelle PTFE M8                                |  |     |     |     |     |     |     |
|     |   | Rondella M8 in PTFE                             |  |     |     |     |     |     |     |
| 1.5 | FZ09411117  | D8.4 20x2 Washer                                | 2  | 2   | 2   | 2   | 4   | 4   | 6   |
|     |   | D8.4 20x2 Unterlegscheibe                       |  |     |     |     |     |     |     |
|     |   | Rondelle D8.4 20x2                              |  |     |     |     |     |     |     |
|     |   | D8.4 Rondella 20x2                              |  |     |     |     |     |     |     |
| 1.6 | 211048  | Oil Pump Bracket                                | 1 per Pump<br>1 pro Pumpe<br>1 par pompe<br>1 per pompa  |     |     |     |     |     |     |
|     |   | Ölpumpenhalterung                               |  |     |     |     |     |     |     |
|     |   | Support de pompe à huile                        |  |     |     |     |     |     |     |
|     |   | Staffa della pompa dell'olio                    |  |     |     |     |     |     |     |
| 1.7 | F400434   | M5 x 12 Screw                                   | 2 per Pump<br>2 pro Pumpe<br>2 par pompe<br>2 per pompa  |     |     |     |     |     |     |
|     |   | M5 x 12 Schraube                                |  |     |     |     |     |     |     |
|     |   | Vis M5 x 12                                     |  |     |     |     |     |     |     |
|     |   | Vite M5 x 12                                    |  |     |     |     |     |     |     |
| 2   | FZ214015  | Pump Coupling (inc. 'O' ring)                   | 1 per Pump<br>1 pro Pumpe<br>1 par pompe<br>1 per pompa  |     |     |     |     |     |     |
|     |   | Pumpenkupplung (inkl. O-Ring)                   |  |     |     |     |     |     |     |
|     |   | Accouplement de pompe (y compris joint torique) |  |     |     |     |     |     |     |
|     |   | Accoppiamento pompa (incluso 'O' ring)          |  |     |     |     |     |     |     |



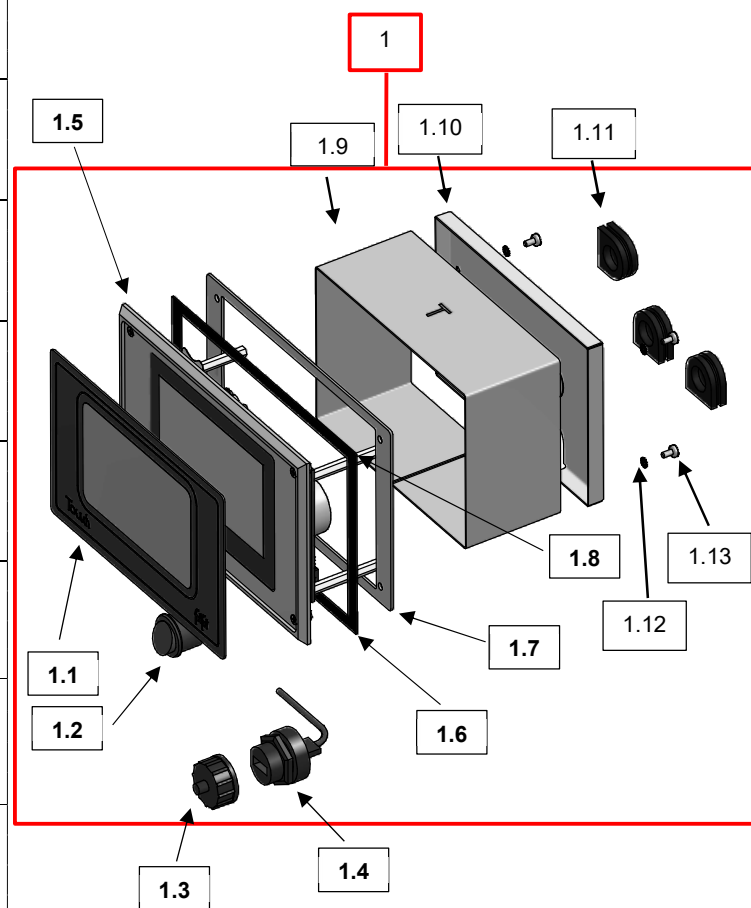
| No  | Part N°<br>Teile-Nr<br>Numéro de pièce<br>Parte n | Description / Beschreibung / Descrizione | Number of parts per model<br>Anzahl der Teile pro Modell<br>Nombre de pièces par modèle<br>Numero di parti per modello |     |     |     |     |     |     |  |
|-----|---|--|--|-----|-----|-----|-----|-----|-----|--|
|     |   |  | 211  | 311 | 411 | 412 | 422 | 622 | 633 |  |
| 2.1 | FZ400997  | Replacement 'O' ring                     |  |     |     |     |     |     |     |  |
|     |   | Ersatz-O-Ring                            |  |     |     |     |     |     |     |  |
|     |   | Joint torique de rechange                |  |     |     |     |     |     |     |  |
|     |   | 'O' ring di ricambio                     |  |     |     |     |     |     |     |  |
| 3   | FZ216060  | Drain Pistol – complete                  |  |     |     |     |     |     |     |  |
|     |   | Ablaspistole – komplett                  |  |     |     |     |     |     |     |  |
|     |   | Pistolet de vidange – complet            |  |     |     |     |     |     |     |  |
|     |   | Pistola di scarico – completa            |  |     |     |     |     |     |     |  |
| 4   | FZ214160  | Flexible Red Evacuation Hose             |  |     |     |     |     |     |     |  |
|     |   | Flexibler roter Evakuierungsschlauch     |  |     |     |     |     |     |     |  |
|     |   | Tuyau d'évacuation flexible rouge        |  |     |     |     |     |     |     |  |
|     |   | Tube di evacuazione flessibile rosso     |  |     |     |     |     |     |     |  |
|     |   |  |  |     |     |     |     |     |     |  |
|     |   |  |  |     |     |     |     |     |     |  |
|     |   |  |  |     |     |     |     |     |     |  |
|     |   |  |  |     |     |     |     |     |     |  |
|     |   |  |  |     |     |     |     |     |     |  |
|     |   |  |  |     |     |     |     |     |     |  |
|     |   |  |  |     |     |     |     |     |     |  |
|     |   |  |  |     |     |     |     |     |     |  |
|     |   |  |  |     |     |     |     |     |     |  |
|     |   |  |  |     |     |     |     |     |     |  |
|     |   |  |  |     |     |     |     |     |     |  |
|     |   |  |  |     |     |     |     |     |     |  |
|     |   |  |  |     |     |     |     |     |     |  |



| No    | Part N°<br>Teile-Nr<br>Numéro de pièce<br>Parte n | Description / Beschreibung / Descrizione | Number of parts per model<br>Anzahl der Teile pro Modell<br>Nombre de pièces par modèle<br>Numero di parti per modello |     |     |     |     |     |     |     |
|-------|---|--|--|-----|-----|-----|-----|-----|-----|-----|
|       |   |  | 211  | 311 | 411 | 412 | 422 | 522 | 622 | 633 |
| 1     | CA250   | Carriage Assembly                        |  |     |     |     |     |     |     |     |
|       |   | Wagenmontage                             |  |     |     |     |     |     |     |     |
|       |   | Assemblage du chariot                    |  | 1   |     |     |     | 2   |     | 3   |
|       |   | Montaggio del carrello                   |  |     |     |     |     |     |     |     |
|       | CA251   | Carriage Assembly                        |  |     |     |     |     |     |     |     |
|       |   | Wagenmontage                             |  |     |     |     |     |     |     |     |
|       |   | Assemblage du chariot                    |  |     | 1   |     |     |     | 2   |     |
|       |   | Montaggio del carrello                   |  |     |     |     |     |     |     |     |
|       | CA252   | Single Bucket Version                    |  |     |     |     |     |     |     |     |
|       |   | Single-Bucket-Version                    |  |     |     |     |     |     |     |     |
|       |   | Version à godet unique                   |  |     |     | 1   | 1   | 1   |     |     |
|       |   | Versione a benna singola                 |  |     |     |     |     |     |     |     |
| CA253 | Single Bucket Version                             |  |  |     |     |     |     |     |     |     |
|       | Single-Bucket-Version                             |  |  |     |     |     |     |     |     |     |
|       | Version à godet unique                            |  |  |     |     |     |     | 1   | 1   |     |
|       | Versione a benna singola                          |  |  |     |     |     |     |     |     |     |
| 1.1   | FX101452  | Carriage Guide LH                        |  |     |     |     |     |     |     |     |
|       |   | Wagenführung LH                          |  |     |     |     |     |     |     |     |
|       |   | Guide du chariot LH                      |  | 1   | 1   | 1   | 1   | 2   | 2   | 3   |
|       |   | Guida carrello SX                        |  |     |     |     |     |     |     |     |
| 1.2   | FX101453  | Carriage Guide RH                        |  |     |     |     |     |     |     |     |
|       |   | Wagenführung RH                          |  |     |     |     |     |     |     |     |
|       |   | Guide du chariot RH                      |  | 1   | 1   | 1   | 1   | 2   | 2   | 3   |
|       |   | Guida carrello DX                        |  |     |     |     |     |     |     |     |
|       |   |  |  |     |     |     |     |     |     |     |
|       |   |  |  |     |     |     |     |     |     |     |
|       |   |  |  |     |     |     |     |     |     |     |
|       |   |  |  |     |     |     |     |     |     |     |



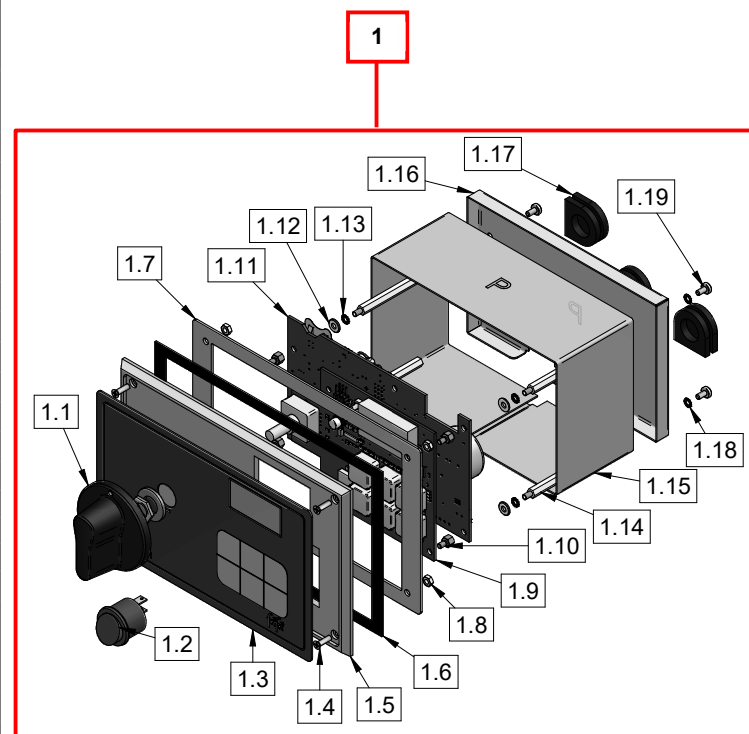
| No  | Part N°<br>Teile-Nr<br>Numéro de pièce<br>Parte n | Description / Beschreibung / Descrizione | Number of parts per model<br>Anzahl der Teile pro Modell<br>Nombre de pièces par modèle<br>Numero di parti per modello |     |     |     |     |     |     |     |  |
|-----|---|--|--|-----|-----|-----|-----|-----|-----|-----|--|
|     |   |  | 211  | 311 | 411 | 412 | 422 | 522 | 622 | 633 |  |
| 1   | CP-TD   | Touch Control Assembly                   | 1  | 1   | 1   | 1   | 1   | 2   | 2   | 3   |  |
|     |   | Berührungssteuerungsbaugruppe            |  |     |     |     |     |     |     |     |  |
|     |   | Assemblage de commande tactile           |  |     |     |     |     |     |     |     |  |
|     |   | Gruppo di controllo touch                |  |     |     |     |     |     |     |     |  |
| 1.1 | OL51  | Touch Overlay                            | 1  | 1   | 1   | 1   | 1   | 2   | 2   | 3   |  |
|     |   | Tippen Sie auf Überlagerung              |  |     |     |     |     |     |     |     |  |
|     |   | Superposition tactile                    |  |     |     |     |     |     |     |     |  |
|     |   | Tocca Sovrapponi                         |  |     |     |     |     |     |     |     |  |
| 1.2 | SW118   | On/Off Switch                            | 1  | 1   | 1   | 1   | 1   | 2   | 2   | 3   |  |
|     |   | Ein / Aus Schalter                       |  |     |     |     |     |     |     |     |  |
|     |   | Bouton ON / OFF                          |  |     |     |     |     |     |     |     |  |
|     |   | Interruttore acceso/spento               |  |     |     |     |     |     |     |     |  |
| 1.3 | USB02   | USB Cap                                  | 1  | 1   | 1   | 1   | 1   | 2   | 2   | 3   |  |
|     |   | USB-Kappe                                |  |     |     |     |     |     |     |     |  |
|     |   | Capuchon USB                             |  |     |     |     |     |     |     |     |  |
|     |   | Cappuccio USB                            |  |     |     |     |     |     |     |     |  |
| 1.4 | USB01   | USB Connection                           | 1  | 1   | 1   | 1   | 1   | 2   | 2   | 3   |  |
|     |   | USB-Verbindung                           |  |     |     |     |     |     |     |     |  |
|     |   | Connexion USB                            |  |     |     |     |     |     |     |     |  |
|     |   | Connessione USB                          |  |     |     |     |     |     |     |     |  |
| 1.5 | FFDB02  | Display Board Assembly                   | 1  | 1   | 1   | 1   | 1   | 2   | 2   | 3   |  |
|     |   | Montage der Anzeigetafel                 |  |     |     |     |     |     |     |     |  |
|     |   | Assemblage du tableau d'affichage        |  |     |     |     |     |     |     |     |  |
| 1.6 | GA341   | Gasket                                   | 1  | 1   | 1   | 1   | 1   | 2   | 2   | 3   |  |
|     |   | Dichtung                                 |  |     |     |     |     |     |     |     |  |
|     |   | Joint                                    |  |     |     |     |     |     |     |     |  |
|     |   | Guarnizione                              |  |     |     |     |     |     |     |     |  |
| 1.7 | 28570   | Fixing Plate                             | 1  | 1   | 1   | 1   | 1   | 2   | 2   | 3   |  |
|     |   | Befestigungsplatte                       |  |     |     |     |     |     |     |     |  |
|     |   | Plaque de fixation                       |  |     |     |     |     |     |     |     |  |
|     |   | Piastra di fissaggio                     |  |     |     |     |     |     |     |     |  |



| No   | Part N°<br>Teile-Nr<br>Numéro de pièce<br>Parte n | Description / Beschreibung / Descrizione | Number of parts per model<br>Anzahl der Teile pro Modell<br>Nombre de pièces par modèle<br>Numero di parti per modello |     |     |     |     |     |     |     |
|------|---|--|--|-----|-----|-----|-----|-----|-----|-----|
|      |   |  | 211  | 311 | 411 | 412 | 422 | 522 | 622 | 633 |
| 1.8  | FZ214156  | Spacer 6P M3x x 45 M/F                   | 4  | 4   | 4   | 4   | 8   | 8   | 8   | 12  |
|      |   | Distanzstück 6P M3x x 45 M/F             |  |     |     |     |     |     |     |     |
|      |   | Entretoise 6P M3x x 45 M/F               |  |     |     |     |     |     |     |     |
|      |   | Distanziale 6P M3x x 45 M/F              |  |     |     |     |     |     |     |     |
| 1.9  | 28369   | Protection cover                         | 1  | 1   | 1   | 1   | 2   | 2   | 2   | 3   |
|      |   | Schutzhülle                              |  |     |     |     |     |     |     |     |
|      |   | Housse de protection                     |  |     |     |     |     |     |     |     |
|      |   | Coperchio di protezione                  |  |     |     |     |     |     |     |     |
| 1.10 | 28370   | Controller Cover                         | 1  | 1   | 1   | 1   | 2   | 2   | 2   | 3   |
|      |   | Controller-Abdeckung                     |  |     |     |     |     |     |     |     |
|      |   | Couvercle du contrôleur                  |  |     |     |     |     |     |     |     |
|      |   | Coperchio del controllore                |  |     |     |     |     |     |     |     |
| 1.11 | FZ214189  | Grommet ½ Round                          | 3  | 3   | 3   | 3   | 6   | 6   | 6   | 9   |
|      |   | Tülle ½ Rund                             |  |     |     |     |     |     |     |     |
|      |   | Passe-fil ½ Rond                         |  |     |     |     |     |     |     |     |
|      |   | Passacavo ½ tondo                        |  |     |     |     |     |     |     |     |
| 1.12 | FZ09413001  | M3 Washer ext shake                      | 4  | 4   | 4   | 4   | 8   | 8   | 8   | 12  |
|      |   | M3 Unterlegscheibe ext schütteln         |  |     |     |     |     |     |     |     |
|      |   | M3 Rondelle ext shake                    |  |     |     |     |     |     |     |     |
|      |   | M3 Rondella est agitare                  |  |     |     |     |     |     |     |     |
| 1.13 | FZ09401702  | M3 x 6 Screw                             | 4  | 4   | 4   | 4   | 8   | 8   | 8   | 12  |
|      |   | M3 x 6 Schraube                          |  |     |     |     |     |     |     |     |
|      |   | Vis M3 x 6                               |  |     |     |     |     |     |     |     |
|      |   | Vite M3 x 6                              |  |     |     |     |     |     |     |     |
|      |   |  |  |     |     |     |     |     |     |     |
|      |   |  |  |     |     |     |     |     |     |     |
|      |   |  |  |     |     |     |     |     |     |     |
|      |   |  |  |     |     |     |     |     |     |     |
|      |   |  |  |     |     |     |     |     |     |     |
|      |   |  |  |     |     |     |     |     |     |     |



| No  | Part N°<br>Teile-Nr<br>Numéro de pièce<br>Parte n | Description / Beschreibung / Descrizione | Number of parts per model<br>Anzahl der Teile pro Modell<br>Nombre de pièces par modèle<br>Numero di parti per modello |     |     |     |     |     |     |     |
|-----|---|--|--|-----|-----|-----|-----|-----|-----|-----|
|     |   |  | 211  | 311 | 411 | 412 | 422 | 522 | 622 | 633 |
| 1   | CP-PD   | Precision Controller Assembly            | 1  | 1   | 1   | 1   | 2   | 2   | 2   | 3   |
|     |   | Präzisionssteuerungsbaugruppe            |  |     |     |     |     |     |     |     |
|     |   | Assemblage du contrôleur de précision    |  |     |     |     |     |     |     |     |
|     |   | Gruppo controller di precisione          |  |     |     |     |     |     |     |     |
| 1.1 | KN277   | Control Knob                             | 1  | 1   | 1   | 1   | 2   | 2   | 2   | 3   |
|     |   | Der Reglerknopf                          |  |     |     |     |     |     |     |     |
|     |   | Bouton de controle                       |  |     |     |     |     |     |     |     |
|     |   | Manopola di controllo                    |  |     |     |     |     |     |     |     |
| 1.2 | SW118   | On/Off Switch                            | 1  | 1   | 1   | 1   | 2   | 2   | 2   | 3   |
|     |   | Ein / Aus Schalter                       |  |     |     |     |     |     |     |     |
|     |   | Bouton ON / OFF                          |  |     |     |     |     |     |     |     |
|     |   | Interruttore acceso/spento               |  |     |     |     |     |     |     |     |
| 1.3 | OL50  | Precision Overlay                        | 1  | 1   | 1   | 1   | 2   | 2   | 2   | 3   |
|     |   | Präzisionsüberlagerung                   |  |     |     |     |     |     |     |     |
|     |   | Superposition de precision               |  |     |     |     |     |     |     |     |
|     |   | Sovrapposizione di precisione            |  |     |     |     |     |     |     |     |
| 1.4 | FAS911  | M3 x 35 C/S Pozi Screw                   | 4  | 4   | 4   | 4   | 8   | 8   | 8   | 12  |
|     |   | M3 x 35 C/S Pozi-Schraube                |  |     |     |     |     |     |     |     |
|     |   | Vis Pozi M3 x 35 C/S                     |  |     |     |     |     |     |     |     |
|     |   | Vite Pozi M3 x 35 C/S                    |  |     |     |     |     |     |     |     |
| 1.5 | CP47  | Control Plate                            | 1  | 1   | 1   | 1   | 2   | 2   | 2   | 3   |
|     |   | Kontrollplatte                           |  |     |     |     |     |     |     |     |
|     |   | Plaque de contrôle                       |  |     |     |     |     |     |     |     |
|     |   | Piastra di controllo                     |  |     |     |     |     |     |     |     |
| 1.6 | GA341   | Gasket                                   | 1  | 1   | 1   | 1   | 2   | 2   | 2   | 3   |
|     |   | Dichtung                                 |  |     |     |     |     |     |     |     |
|     |   | Joint                                    |  |     |     |     |     |     |     |     |
|     |   | Guarnizione                              |  |     |     |     |     |     |     |     |
| 1.7 | 28367   | Fixing Plate                             | 1  | 1   | 1   | 1   | 2   | 2   | 2   | 3   |
|     |   | Befestigungsplatte                       |  |     |     |     |     |     |     |     |
|     |   | Plaque de fixation                       |  |     |     |     |     |     |     |     |
|     |   | Piastra di fissaggio                     |  |     |     |     |     |     |     |     |



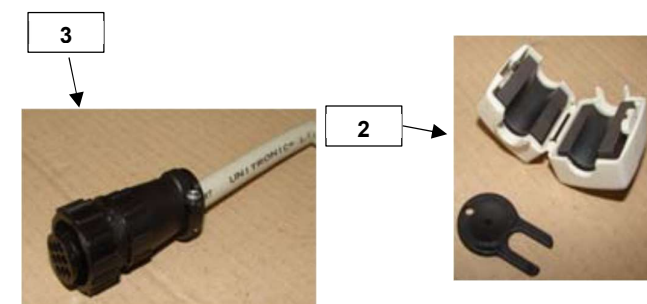
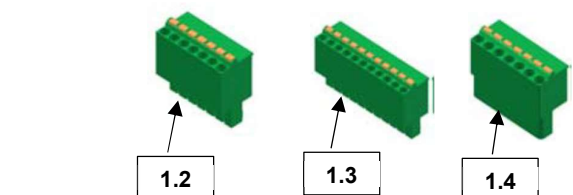
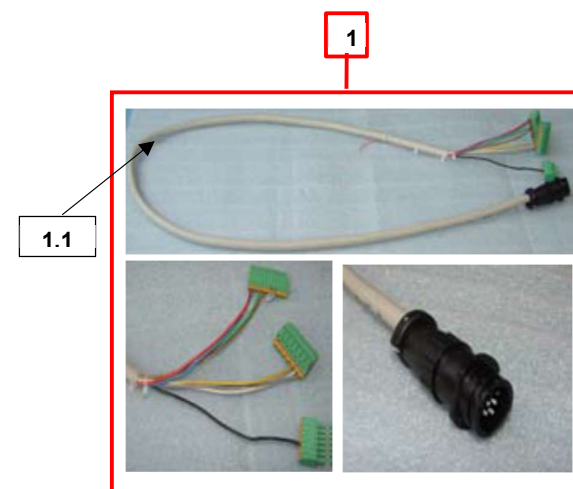
| No   | Part N°<br>Teile-Nr<br>Numéro de pièce<br>Parte n | Description / Beschreibung / Descrizione | Number of parts per model<br>Anzahl der Teile pro Modell<br>Nombre de pièces par modèle<br>Numero di parti per modello |     |     |     |     |     |     |     |
|------|---|--|--|-----|-----|-----|-----|-----|-----|-----|
|      |   |  | 211  | 311 | 411 | 412 | 422 | 522 | 622 | 633 |
| 1.8  | FZ401332  | M3 Nut                                   | 4  | 4   | 4   | 1   | 8   | 8   | 8   | 12  |
|      |   | M3 Schraubenmutter                       |  |     |     |     |     |     |     |     |
|      |   | M3 Ecrou de Securite                     |  |     |     |     |     |     |     |     |
|      |   | M3 Dado di Sicurezza                     |  |     |     |     |     |     |     |     |
| 1.9  | FFEB01  | Encoder Board                            | 1  | 1   | 1   | 1   | 2   | 2   | 2   | 3   |
|      |   | Encoder-Boards                           |  |     |     |     |     |     |     |     |
|      |   | Cartes d'encodeur                        |  |     |     |     |     |     |     |     |
|      |   | Scheda codificatore                      |  |     |     |     |     |     |     |     |
| 1.10 | FZ214147  | M3 x 4mm Spacer                          | 5  | 5   | 5   | 5   | 10  | 10  | 10  | 15  |
|      |   | M3 x 4 mm Abstandshalter                 |  |     |     |     |     |     |     |     |
|      |   | Entretoises M3 x 4 mm                    |  |     |     |     |     |     |     |     |
|      |   | Distanziatori M3 x 4 mm                  |  |     |     |     |     |     |     |     |
| 1.11 | FFCB01  | Control Board                            | 1  | 1   | 1   | 1   | 2   | 2   | 2   | 3   |
|      |   | Steuerplatine                            |  |     |     |     |     |     |     |     |
|      |   | Tableau de contrôle                      |  |     |     |     |     |     |     |     |
|      |   | pannello di controllo                    |  |     |     |     |     |     |     |     |
| 1.12 | FAS076  | M3 Plain Washer                          | 4  | 4   | 4   | 4   | 8   | 8   | 8   | 12  |
|      |   | M3 Unterlegscheibe                       |  |     |     |     |     |     |     |     |
|      |   | Rondelle plate M3                        |  |     |     |     |     |     |     |     |
|      |   | Rondella piana M3                        |  |     |     |     |     |     |     |     |
| 1.13 | FZ09413001  | M3 Shakeproof Washer                     | 4  | 4   | 4   | 4   | 8   | 8   | 8   | 12  |
|      |   | M3 Rüttelfeste Unterlegscheibe           |  |     |     |     |     |     |     |     |
|      |   | Rondelle anti-vibrations M3              |  |     |     |     |     |     |     |     |
|      |   | Rondella antiurto M3                     |  |     |     |     |     |     |     |     |
| 1.14 | FZ214156  | Spacer 45mm                              | 4  | 4   | 4   | 4   | 8   | 8   | 8   | 12  |
|      |   | Abstandshalter 45mm                      |  |     |     |     |     |     |     |     |
|      |   | Entretoise 45mm                          |  |     |     |     |     |     |     |     |
|      |   | Distanziatore 45mm                       |  |     |     |     |     |     |     |     |
| 1.15 | 28399   | Protection cover                         | 1  | 1   | 1   | 1   | 2   | 2   | 2   | 3   |
|      |   | Schutzhülle                              |  |     |     |     |     |     |     |     |
|      |   | Housse de protection                     |  |     |     |     |     |     |     |     |
|      |   | Coperchio di protezione                  |  |     |     |     |     |     |     |     |



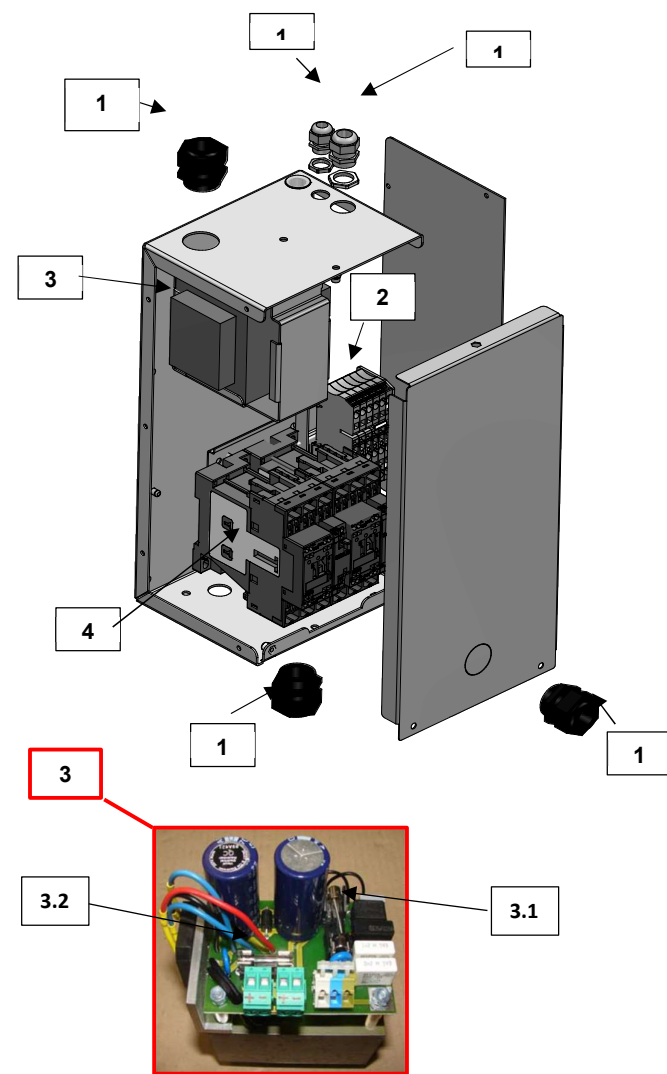




| No  | Part N°<br>Teile-Nr<br>Numéro de pièce<br>Parte n | Description / Beschreibung /<br>Descrizione | Number of parts per model<br>Anzahl der Teile pro Modell<br>Nombre de pièces par modèle<br>Numero di parti per modello |     |     |     |     |     |     |     |
|-----|---|---|--|-----|-----|-----|-----|-----|-----|-----|
|     |   |   | 211  | 311 | 411 | 412 | 422 | 522 | 622 | 633 |
| 1   | FZ216206  | Control Cable                               | 1  | 1   | 1   | 1   | 2   | 2   | 2   | 3   |
|     |   | Steuerkabel                                 |  |     |     |     |     |     |     |     |
|     |   | câble de commande                           |  |     |     |     |     |     |     |     |
|     |   | cavo di controllo                           |  |     |     |     |     |     |     |     |
| 1.1 | FZ214108  | Control Cable                               | 1  | 1   | 1   | 1   | 2   | 2   | 2   | 3   |
|     |   | Steuerkabel                                 |  |     |     |     |     |     |     |     |
|     |   | câble de commande                           |  |     |     |     |     |     |     |     |
|     |   | cavo di controllo                           |  |     |     |     |     |     |     |     |
| 1.2 | FZ214197  | Connector 1.5 / 7 Poles                     | 1  | 1   | 1   | 1   | 2   | 2   | 2   | 3   |
|     |   | Stecker 1,5 / 7 Pole                        |  |     |     |     |     |     |     |     |
|     |   | Connecteur 1.5 / 7 Pôles                    |  |     |     |     |     |     |     |     |
|     |   | Connettore 1,5 / 7 Poli                     |  |     |     |     |     |     |     |     |
| 1.3 | FZ 214198   | Connector 1.5 / 11 Poles                    | 1  | 1   | 1   | 1   | 2   | 2   | 2   | 3   |
|     |   | Stecker 1,5 / 11 Pole                       |  |     |     |     |     |     |     |     |
|     |   | Connecteur 1.5 / 11 Pôles                   |  |     |     |     |     |     |     |     |
|     |   | Connettore 1,5 / 11 Poli                    |  |     |     |     |     |     |     |     |
| 1.4 | FZ214199  | Connector 2.5 / 7 Poles                     | 1  | 1   | 1   | 1   | 2   | 2   | 2   | 3   |
|     |   | Stecker 2,5 / 7 Pole                        |  |     |     |     |     |     |     |     |
|     |   | Connecteur 2.5 / 7 Pôles                    |  |     |     |     |     |     |     |     |
|     |   | Connettore 2,5 / 7 Poli                     |  |     |     |     |     |     |     |     |
| 2   | FZ214166  | Ferrite Cable Ø10.5                         | 1  | 1   | 1   | 1   | 2   | 2   | 2   | 3   |
|     |   | Ferritkabel Ø10,5                           |  |     |     |     |     |     |     |     |
|     |   | Câble Ferrite Ø10.5                         |  |     |     |     |     |     |     |     |
|     |   | Cavo Ferrite Ø10.5                          |  |     |     |     |     |     |     |     |
| 3   | FZ214073  | Control Cable                               | 1  | 1   | 1   | 1   | 2   | 2   | 2   | 3   |
|     |   | Steuerkabel Leistungskasten                 |  |     |     |     |     |     |     |     |
|     |   | Cable Commande Caisson Puissance            |  |     |     |     |     |     |     |     |
|     |   | Cavo di controllo                           |  |     |     |     |     |     |     |     |
|     |   |   |  |     |     |     |     |     |     |     |
|     |   |   |  |     |     |     |     |     |     |     |
|     |   |   |  |     |     |     |     |     |     |     |
|     |   |   |  |     |     |     |     |     |     |     |



| No  | Part N°<br>Teile-Nr<br>Numéro de pièce<br>Parte n                                  | Description / Beschreibung / Descrizione   | Number of parts per model<br>Anzahl der Teile pro Modell<br>Nombre de pièces par modèle<br>Numero di parti per modello |  |     |     |     |     |     |     |  |
|-----|--|--|--|--|-----|-----|-----|-----|-----|-----|--|
|     |  |  | 211  | 311  | 411 | 412 | 422 | 522 | 622 | 633 |  |
| 1   |  | Cable Glands – dependant on model and configuration - see below<br>Kabelverschraubungen – je nach Modell und Konfiguration – siehe unten<br>Presse-étoupes - en fonction du modèle et de la configuration - voir ci-dessous<br>Pressacavi - a seconda del modello e della configurazione - vedere di seguito |  |  |     |     |     |     |     |     |  |
| 2   | FZ101334   | Terminal on Rail<br>Terminal auf der Schiene<br>Terminal sur rail<br>Terminale su rotaia   | 1  | 1  | 1   | 1   | 2   | 2   | 2   | 3   |  |
| 3   | FZ214026   | Power Supply<br>Stromversorgung<br>Source de courant<br>Alimentazione elettrica  | 1  | 1  | 1   | 1   | 2   | 2   | 2   | 3   |  |
| 3.1 | FZ 214117  | FUSE 5X20 / 10AT<br>SICHERUNG 5X20 / 10AT<br>FUSIBLE 5X20 / 10AT<br>FUSIBILE 5X20/10AT   | 1  | 1  | 1   | 1   | 2   | 2   | 2   | 3   |  |
| 3.2 | FZ 214229  | FUSE 1AT 250V<br>SICHERUNG 1AT 250V<br>FUSIBLE 1AT 250V<br>FUSIBILE 1AT 250V   | 1  | 1  | 1   | 1   | 2   | 2   | 2   | 3   |  |
| 4   | CO265  | Contactor<br>Schütz<br>Contacteur<br>Contattore  | 2  | 2  | 2   | 2   | 4   | 4   | 4   | 6   |  |
|     | Gland Details<br>Drüsendetails<br>Détails de la glande<br>Dettagli della ghiandola | Gland<br>Drüse<br>Glande<br>Ghiandola  | Locknut<br>Kontermutter<br>Contre-écrou<br>Dado di bloccaggio  | Blanking Plug<br>Blindstopfen<br>Bouchon d'obturation<br>Tappo cieco |     |     |     |     |     |     |  |
|     | M10  | FZ214045   | FZ214057   | FZ214055   |     |     |     |     |     |     |  |
|     | M12  | FZ214016   | FZ214058   | FZ214056   |     |     |     |     |     |     |  |
|     | M16  | FZ214103   | FZ214105   | FZ214104   |     |     |     |     |     |     |  |
|     | M25  | FZ214047   | FZ214059   | FZ214054   |     |     |     |     |     |     |  |
|     | M32  | GL732  | NT01   | N/A  |     |     |     |     |     |     |  |

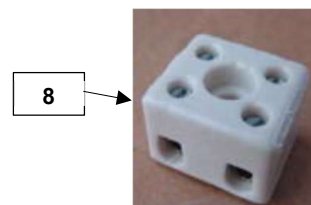


| No | Part N°<br>Teile-Nr<br>Numéro de pièce<br>Parte n | Description / Beschreibung / Descrizione | Number of parts per model<br>Anzahl der Teile pro Modell<br>Nombre de pièces par modèle<br>Numero di parti per modello |     |     |     |     |     |     |     |  |
|----|---|--|--|-----|-----|-----|-----|-----|-----|-----|--|
|    |   |  | 211  | 311 | 411 | 412 | 422 | 522 | 622 | 633 |  |
| 5  | FZ214106  | Wires to Heating Elements                | 1  |     |     |     | 2   | 1   |     | 3   |  |
|    |   | Zuleitungskabel                          |  |     |     |     |     |     |     |     |  |
|    |   | Fils aux éléments chauffants             |  |     |     |     |     |     |     |     |  |
|    |   | Fili agli elementi riscaldanti           |  |     |     |     |     |     |     |     |  |
| 6  | FZ 214107   | Power Cable                              |  | 1   | 1   | 1   |     | 1   | 2   |     |  |
|    |   | Drähte zu Heizelementen                  |  |     |     |     |     |     |     |     |  |
|    |   | Cable Puissance                          |  |     |     |     |     |     |     |     |  |
|    |   | Cavo di Alimentazione                    |  |     |     |     |     |     |     |     |  |
| 7  | FZ100850  | Supply Cable 5x2.5mm2                    |  |     |     |     |     |     |     |     |  |
|    |   | Versorgungskabel 5x2,5 mm2               |  |     |     |     |     |     |     |     |  |
|    |   | Câble d'alimentation 5x2,5 mm2           |  |     |     |     |     |     |     |     |  |
|    |   | Cavo di alimentazione 5x2,5 mm2          |  |     |     |     |     |     |     |     |  |
|    | FZ42051807  | Supply Cable 5x4mm2                      |  |     |     |     |     |     |     |     |  |
|    |   | Versorgungskabel 5x4 mm2                 |  |     |     |     |     |     |     |     |  |
|    |   | Câble d'alimentation 5x4 mm2             |  |     |     |     |     |     |     |     |  |
|    |   | Cavo di alimentazione 5x4 mm2            |  |     |     |     |     |     |     |     |  |
| 8  | TE02  | Terminal Block Ceram                     | 1  | 1   | 1   | 1   | 2   | 2   | 2   | 3   |  |
|    |   | Anschlussblock Ceram                     |  |     |     |     |     |     |     |     |  |
|    |   | Bornier Ceram                            |  |     |     |     |     |     |     |     |  |
|    |   | Morsettiera Ceram                        |  |     |     |     |     |     |     |     |  |
|    |   |  |  |     |     |     |     |     |     |     |  |
|    |   |  |  |     |     |     |     |     |     |     |  |
|    |   |  |  |     |     |     |     |     |     |     |  |
|    |   |  |  |     |     |     |     |     |     |     |  |
|    |   |  |  |     |     |     |     |     |     |     |  |



6

5



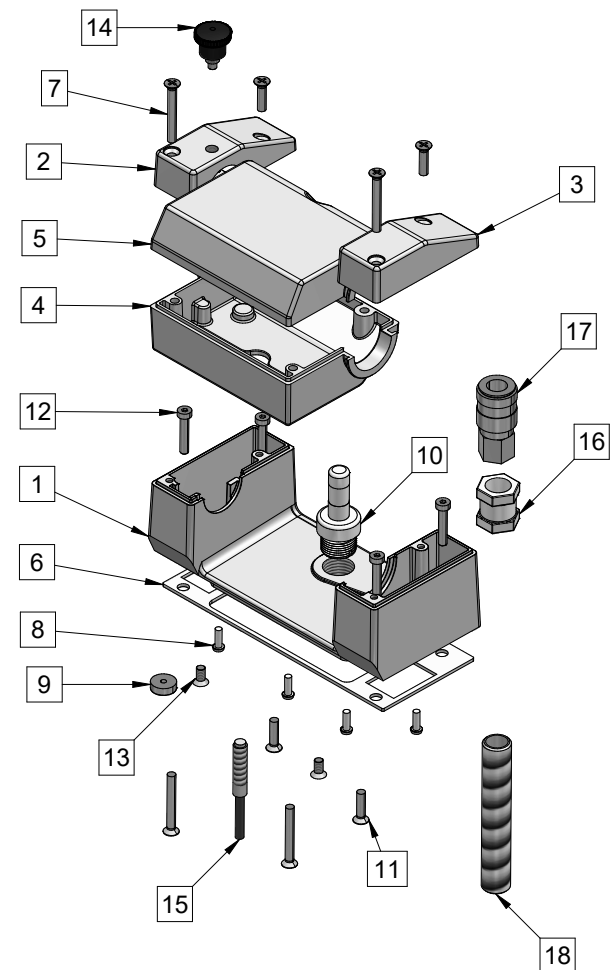
8



7



| No | Part N°<br>Teile-Nr<br>Numéro de pièce<br>Parte n | Description / Beschreibung / Descrizione | Number of parts per model<br>Anzahl der Teile pro Modell<br>Nombre de pièces par modèle<br>Numero di parti per modello |     |     |     |     |     |     |
|----|---|--|--|-----|-----|-----|-----|-----|-----|
|    |   |  | 211  | 311 | 411 | 412 | 422 | 622 | 633 |
| 1  | FFC01   | Casting Body                             | 1  | 1   | 2   | 2   | 2   | 2   | 3   |
|    |   | Gießkörpe                                |  |     |     |     |     |     |     |
|    |   | Corps de coulée                          |  |     |     |     |     |     |     |
|    |   | Corpo fuso                               |  |     |     |     |     |     |     |
| 2  | FFC02   | Casting Cap LH                           | 1  | 1   | 2   | 2   | 2   | 2   | 3   |
|    |   | Gießkappe LH                             |  |     |     |     |     |     |     |
|    |   | Bouchon de coulée LH                     |  |     |     |     |     |     |     |
|    |   | Tappo Casting SX                         |  |     |     |     |     |     |     |
| 3  | FFC03   | Casting Cap RH                           | 1  | 1   | 2   | 2   | 2   | 2   | 3   |
|    |   | Gießkappe RH                             |  |     |     |     |     |     |     |
|    |   | Bouchon de coulée RH                     |  |     |     |     |     |     |     |
|    |   | Tappo Casting DX                         |  |     |     |     |     |     |     |
| 4  | FFC04   | Casting Swivel Lower                     | 1  | 1   | 2   | 2   | 2   | 2   | 3   |
|    |   | Casting Swivel Lower                     |  |     |     |     |     |     |     |
|    |   | Coulée Pivot Inférieur                   |  |     |     |     |     |     |     |
|    |   | Casting Swivel inferiore                 |  |     |     |     |     |     |     |
| 5  | FFC05   | Casting Swivel Upper                     | 1  | 1   | 2   | 2   | 2   | 2   | 3   |
|    |   | Casting Swivel Upper                     |  |     |     |     |     |     |     |
|    |   | Tige pivotante coulée                    |  |     |     |     |     |     |     |
|    |   | Tomaia girevole in fusione               |  |     |     |     |     |     |     |
| 6  | GA85  | Gasket                                   | 1  | 1   | 2   | 2   | 2   | 2   | 3   |
|    |   | Dichtung                                 |  |     |     |     |     |     |     |
|    |   | Joint                                    |  |     |     |     |     |     |     |
|    |   | Guarnizione                              |  |     |     |     |     |     |     |
| 7  | FZ214065  | M5 x 40 Screw                            | 4  | 4   | 8   | 8   | 8   | 8   | 12  |
|    |   | M5 x 40 Schraube                         |  |     |     |     |     |     |     |
|    |   | Vis M5 x 40                              |  |     |     |     |     |     |     |
|    |   | Vite M5 x 40                             |  |     |     |     |     |     |     |
| 8  | FZ400431  | M4 x 8 Screw                             | 4  | 4   | 8   | 8   | 8   | 8   | 12  |
|    |   | M4 x 8 Schraube                          |  |     |     |     |     |     |     |
|    |   | Vis M4 x 8                               |  |     |     |     |     |     |     |
|    |   | Vite M4 x 8                              |  |     |     |     |     |     |     |

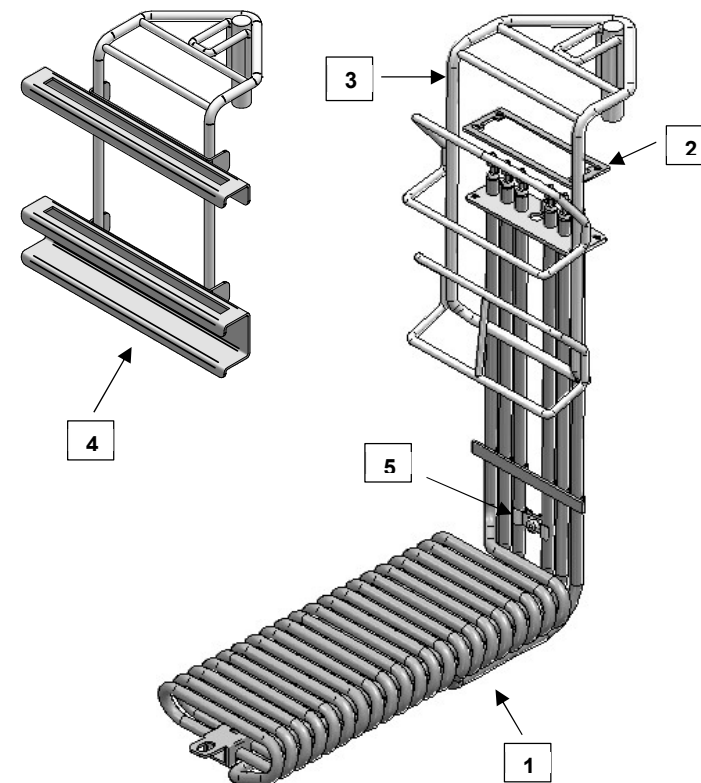


| No | Part N°<br>Teile-Nr<br>Numéro de pièce<br>Parte n | Description / Beschreibung / Descrizione | Number of parts per model<br>Anzahl der Teile pro Modell<br>Nombre de pièces par modèle<br>Numero di parti per modello |     |     |     |     |     |     |
|----|---|--|--|-----|-----|-----|-----|-----|-----|
|    |   |  | 211  | 311 | 411 | 412 | 422 | 622 | 633 |
| 9  | FZ214088  | Magnet                                   | 1  | 1   | 2   | 2   | 2   | 2   | 3   |
|    |   | Magnet                                   |  |     |     |     |     |     |     |
|    |   | Aimant                                   |  |     |     |     |     |     |     |
|    |   | Magnete                                  |  |     |     |     |     |     |     |
| 10 | FZ211024  | Fixed Axis                               | 1  | 1   | 2   | 2   | 2   | 2   | 3   |
|    |   | Feste Achse                              |  |     |     |     |     |     |     |
|    |   | Axe fixe                                 |  |     |     |     |     |     |     |
|    |   | Asse fisso                               |  |     |     |     |     |     |     |
| 11 | FZ214064  | M5 x 20 Screw                            | 4  | 4   | 8   | 8   | 8   | 8   | 12  |
|    |   | M5 x 20 Schraube                         |  |     |     |     |     |     |     |
|    |   | Vis M5x20                                |  |     |     |     |     |     |     |
|    |   | Vite M5 x 20                             |  |     |     |     |     |     |     |
| 12 | FZ400809  | M5 x 25 Screw                            | 4  | 4   | 8   | 8   | 8   | 8   | 12  |
|    |   | M5 x 25 Schraube                         |  |     |     |     |     |     |     |
|    |   | Vis M5x25                                |  |     |     |     |     |     |     |
|    |   | Vite M5 x 25                             |  |     |     |     |     |     |     |
| 13 | FZ214195  | M5 x 10 Screw                            | 2  | 2   | 4   | 4   | 4   | 4   | 6   |
|    |   | M5 x 10 Schraube                         |  |     |     |     |     |     |     |
|    |   | Vis M5x10                                |  |     |     |     |     |     |     |
|    |   | Vite M5 x 10                             |  |     |     |     |     |     |     |
| 14 | PL335   | Plunger                                  | 1  | 1   | 2   | 2   | 2   | 2   | 3   |
|    |   | Kolben                                   |  |     |     |     |     |     |     |
|    |   | Piston                                   |  |     |     |     |     |     |     |
|    |   | Stantuffo                                |  |     |     |     |     |     |     |
| 15 | FZ214116  | Hamlin Switch                            | 1  | 1   | 2   | 2   | 2   | 2   | 3   |
|    |   | Hamlin-Schalter                          |  |     |     |     |     |     |     |
|    |   | Commutateur Hamlin                       |  |     |     |     |     |     |     |
|    |   | Interruttore Hamlin                      |  |     |     |     |     |     |     |
| 16 | SP90  | Spacer                                   | 1  | 1   | 2   | 2   | 2   | 2   | 3   |
|    |   | Abstandshalter                           |  |     |     |     |     |     |     |
|    |   | Entretoise                               |  |     |     |     |     |     |     |
|    |   | Distanziatore                            |  |     |     |     |     |     |     |





| No | Part N°<br>Teile-Nr<br>Numéro de pièce<br>Parte n | Description / Beschreibung / Descrizione | Number of parts per model<br>Anzahl der Teile pro Modell<br>Nombre de pièces par modèle<br>Numero di parti per modello |     |     |     |     |     |     |     |   |  |
|----|---|--|--|-----|-----|-----|-----|-----|-----|-----|---|--|
|    |   |  | 211  | 311 | 411 | 412 | 422 | 522 | 622 | 633 |   |  |
| 1  | Varies<br>Variiert<br>Varie<br>Varia              | Element                                  | See Table below<br>Siehe Tabelle unten<br>Voir le tableau ci-dessous<br>Vedere la tabella di seguito                   |     |     |     |     |     |     |     |   |  |
|    |   | Element                                  |  |     |     |     |     |     |     |     |   |  |
|    |   | Élément                                  |  |     |     |     |     |     |     |     |   |  |
|    |   | Elemento                                 |  |     |     |     |     |     |     |     |   |  |
| 2  | FZ211069  | Element Gasket                           | 1  | 1   | 2   | 2   | 2   | 2   | 2   | 2   | 3 |  |
|    |   | Elementdichtung                          |  |     |     |     |     |     |     |     |   |  |
|    |   | Joint d'élément                          |  |     |     |     |     |     |     |     |   |  |
|    |   | Elemento Guarnizione                     |  |     |     |     |     |     |     |     |   |  |
| 3  | FZ211067  | Basket Support                           | 1  | 1   | 2   | 2   | 2   | 2   | 2   | 2   | 3 |  |
|    |   | Korbunterstützung                        |  |     |     |     |     |     |     |     |   |  |
|    |   | Support de panier                        |  |     |     |     |     |     |     |     |   |  |
|    |   | Supporto per cestini                     |  |     |     |     |     |     |     |     |   |  |
| 4  | FZ311067  | Basket Support for 2 Small Baskets       | 1  | 1   |     |     |     |     |     |     |   |  |
|    |   | Korbhalterung für 2 kleine Körbe         |  |     |     |     |     |     |     |     |   |  |
|    |   | Support de panier pour 2 petits paniers  |  |     |     |     |     |     |     |     |   |  |
|    |   | Cestello Supporto per 2 Cestini Piccoli  |  |     |     |     |     |     |     |     |   |  |
| 5  | FZ216213  | Thermocouple clip                        | 1  | 1   | 2   | 2   | 2   | 2   | 2   | 2   | 3 |  |
|    |   | Thermoelement-Clip                       |  |     |     |     |     |     |     |     |   |  |
|    |   | Pince thermocouple                       |  |     |     |     |     |     |     |     |   |  |
|    |   | Clip per termocoppie                     |  |     |     |     |     |     |     |     |   |  |

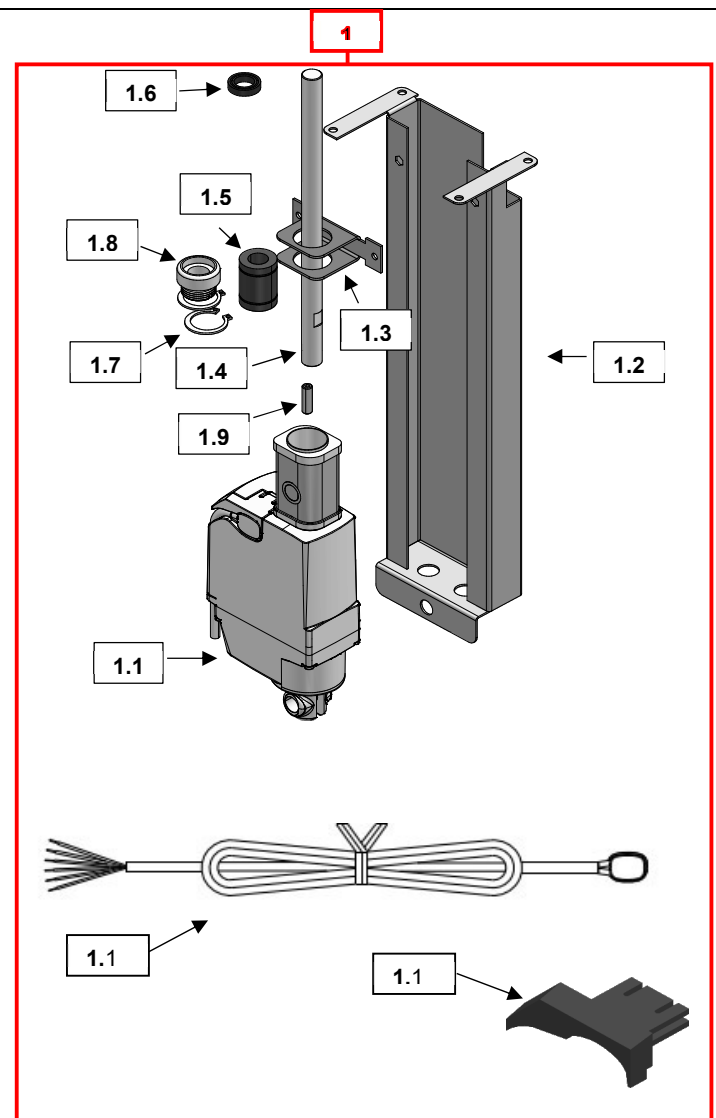


|  | Element  | Element Rating            |  |
|--|----------|---------------------------|--|
|  | Element  | Elementbewertung          |  |
|  | Élément  | Évaluation de l'élément   |  |
|  | Elemento | Valutazione dell'elemento |  |
|  | FZ211060 | 7.5kW                     |  |
|  | FZ211061 | 9.0kW                     |  |
|  | FZ211085 | 11.0kW                    |  |
|  | FZ311060 | 11.4kW                    |  |
|  | FZ311061 | 15.0kW                    |  |



**Elements and Basket Support / Elemente und Korbunterstützung / Éléments et support de panier / Elementi e Supporto Cesto**

| No  | Part N°<br>Teile-Nr<br>Numéro de pièce<br>Parte n | Description / Beschreibung / Descrizione   | Number of parts per model<br>Anzahl der Teile pro Modell<br>Nombre de pièces par modèle<br>Numero di parti per modello |     |     |     |   |     |     |     |  |
|-----|---|--|--|-----|-----|-----|---|-----|-----|-----|--|
|     |   |  | 211  | 311 | 411 | 412 | 422   | 622 | 522 | 633 |  |
| 1   | RLK211  | Lift Assembly  | 1  |     |     |     |   |     |     |     |  |
|     |   | Heben Sie die Montage an   |  |     |     |     |   |     |     |     |  |
|     |   | Ascenseur  |  |     |     |     |   |     |     |     |  |
|     | RLK311  | Lift Assembly  | 1  |     |     |     |   |     |     |     |  |
|     |   | Heben Sie die Montage an   |  |     |     |     |   |     |     |     |  |
|     |   | Ascenseur  |  |     |     |     |   |     |     |     |  |
|     | RLK411  | Lift Assembly  |  |     |     | 1   | 1   |     |     |     |  |
|     |   | Heben Sie die Montage an   |  |     |     |     |   |     |     |     |  |
|     |   | Ascenseur  |  |     |     |     |   |     |     |     |  |
|     | RLK422  | Lift Assembly  |  |     |     |     | 1   | 1   |     |     |  |
|     |   | Heben Sie die Montage an   |  |     |     |     |   |     |     |     |  |
|     |   | Ascenseur  |  |     |     |     |   |     |     |     |  |
|     |   |  |  |     |     |     |   |     |     |     |  |
|     |   |  |  |     |     |     |   |     |     |     |  |
| 1.1 | LA342   | Actuator<br>Aktuator<br>Actionneur<br>Attuatrice                                     |  |     |     |     | 1 per Lift<br>1 pro Aufzug<br>1 par remontée<br>1 per ascensore |     |     |     |  |
| 1.2 | 50260   | Lift Mount<br>Heben Sie die Halterung an<br>Support de lavage<br>Support de lavage   |  |     |     |     | 1 per Lift<br>1 pro Aufzug<br>1 par remontée<br>1 per ascensore |     |     |     |  |
| 1.3 | 50264   | Bearing Support<br>Lagerunterstützung<br>Support de roulement<br>Supporto cuscinetto |  |     |     |     | 1 per Lift<br>1 pro Aufzug<br>1 par remontée<br>1 per ascensore |     |     |     |  |
| 1.4 | FZ214048  | Lift Axle<br>Liftachse<br>Essieu relevable<br>Assale sollevabile                     |  |     |     |     | 1 per Lift<br>1 pro Aufzug<br>1 par remontée<br>1 per ascensore |     |     |     |  |

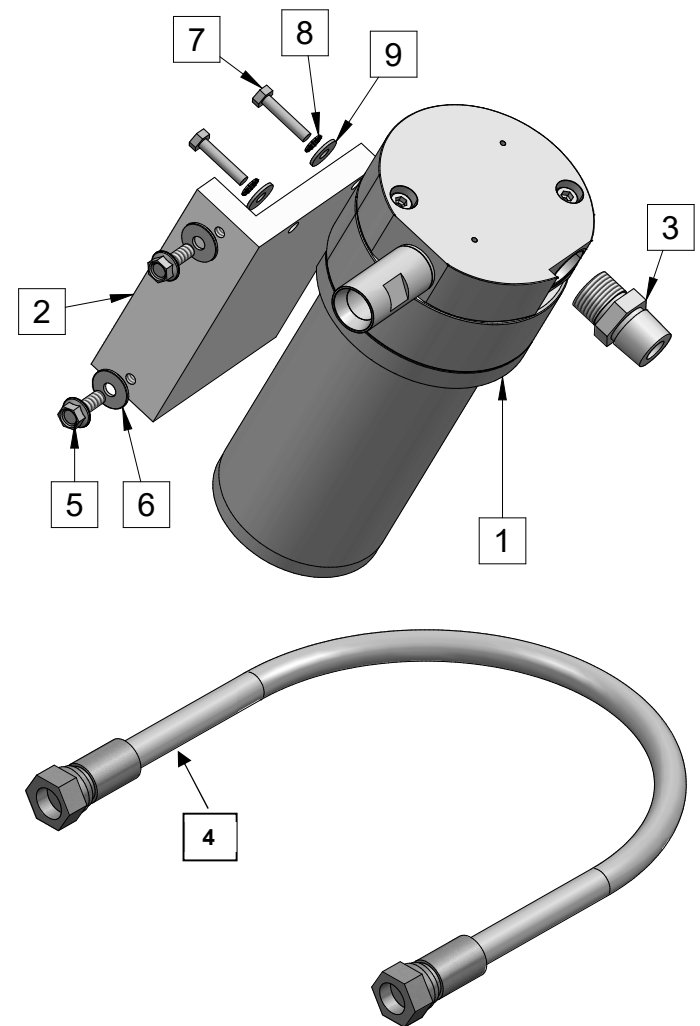




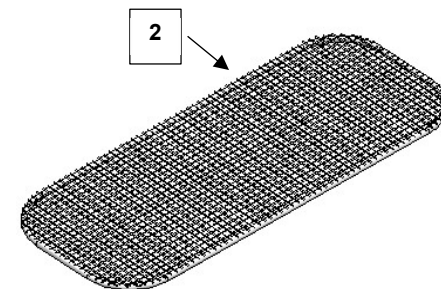
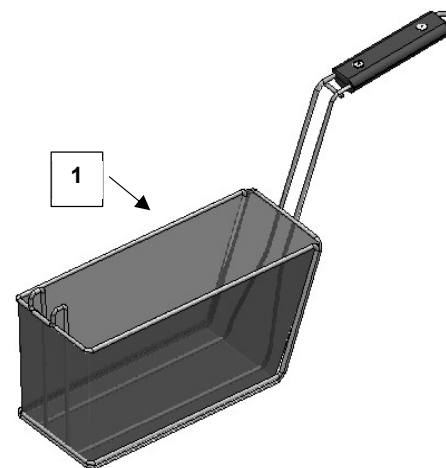
| No   | Part N°<br>Teile-Nr<br>Numéro de pièce<br>Parte n | Description / Beschreibung / Descrizione | Number of parts per model<br>Anzahl der Teile pro Modell<br>Nombre de pièces par modèle<br>Numero di parti per modello |     |     |     |     |     |     |
|------|---|--|--|-----|-----|-----|-----|-----|-----|
|      |   |  | 211  | 311 | 411 | 412 | 422 | 522 | 622 |
| 1.5  | FZ401071  | Sliding Bearing                          | 1 per Lift<br>1 pro Aufzug<br>1 par remontée<br>1 per ascensore  |     |     |     |     |     |     |
|      |   | Gleitlager                               |  |     |     |     |     |     |     |
|      |   | Palier coulissant                        |  |     |     |     |     |     |     |
|      |   | Cuscinetto scorrevole                    |  |     |     |     |     |     |     |
| 1.6  | FZ401070  | Oil Seal                                 | 1 per Lift<br>1 pro Aufzug<br>1 par remontée<br>1 per ascensore  |     |     |     |     |     |     |
|      |   | Öldichtung                               |  |     |     |     |     |     |     |
|      |   | Joint Huile                              |  |     |     |     |     |     |     |
|      |   | Guarnizione dell'olio                    |  |     |     |     |     |     |     |
| 1.7  | FZ401072  | Circlip                                  | 2 per Lift<br>2 pro Aufzug<br>2 par remontée<br>2 per ascensore  |     |     |     |     |     |     |
|      |   | Sicherungsring                           |  |     |     |     |     |     |     |
|      |   | Circlip                                  |  |     |     |     |     |     |     |
|      |   | Anello elastico                          |  |     |     |     |     |     |     |
| 1.8  | FZ214049  | Bush                                     | 1 per Lift<br>1 pro Aufzug<br>1 par remontée<br>1 per ascensore  |     |     |     |     |     |     |
|      |   | Busch                                    |  |     |     |     |     |     |     |
|      |   | Buisson                                  |  |     |     |     |     |     |     |
|      |   | Cespuglio                                |  |     |     |     |     |     |     |
| 1.9  | FZ214067  | M6 x 20 Grub Screw                       | 1 per Lift<br>1 pro Aufzug<br>1 par remontée<br>1 per ascensore  |     |     |     |     |     |     |
|      |   | M6 x 20 Madenschraube                    |  |     |     |     |     |     |     |
|      |   | Vis sans tête M6 x 20                    |  |     |     |     |     |     |     |
|      |   | Vite senza testa M6 x 20                 |  |     |     |     |     |     |     |
| 1.10 | LA343   | Cable for LA343                          | 1 per Lift<br>1 pro Aufzug<br>1 par remontée<br>1 per ascensore  |     |     |     |     |     |     |
|      |   | Kabel für LA343                          |  |     |     |     |     |     |     |
|      |   | Câble pour LA343                         |  |     |     |     |     |     |     |
|      |   | Cavo per LA343                           |  |     |     |     |     |     |     |
| 1.11 | LA344   | Cable lock for LA343                     | 1 per Lift<br>1 pro Aufzug<br>1 par remontée<br>1 per ascensore  |     |     |     |     |     |     |
|      |   | Kabelschloss für LA343                   |  |     |     |     |     |     |     |
|      |   | Câble antivol pour LA343                 |  |     |     |     |     |     |     |
|      |   | Lucchetto a cavo per LA343               |  |     |     |     |     |     |     |
|      |   |  |  |     |     |     |     |     |     |
|      |   |  |  |     |     |     |     |     |     |
|      |   |  |  |     |     |     |     |     |     |



| No | Part N°<br>Teile-Nr<br>Numéro de pièce<br>Parte n | Description / Beschreibung / Descrizione | Number of parts per model<br>Anzahl der Teile pro Modell<br>Nombre de pièces par modèle<br>Numero di parti per modello |     |     |     |     |     |     |     |  |
|----|---|--|--|-----|-----|-----|-----|-----|-----|-----|--|
|    |   |  | 211  | 311 | 411 | 412 | 422 | 522 | 622 | 633 |  |
| 1  | FZ214013  | Pump                                     | 1 per Pump   |     |     |     |     |     |     |     |  |
|    |   | Pumpe                                    | 1 pro Pumpe  |     |     |     |     |     |     |     |  |
|    |   | Pompe                                    | 1 par pompe  |     |     |     |     |     |     |     |  |
|    |   | Pompa                                    | 1 per pompa  |     |     |     |     |     |     |     |  |
| 2  | FZ211078  | Pump Support                             | 1 per Pump   |     |     |     |     |     |     |     |  |
|    |   | Pumpenunterstützung                      | 1 pro Pumpe  |     |     |     |     |     |     |     |  |
|    |   | Prise en charge de la pompe              | 1 par pompe  |     |     |     |     |     |     |     |  |
|    |   | Supporto pompa                           | 1 per pompa  |     |     |     |     |     |     |     |  |
| 3  | CO336   | 3/8" – 3/8" Straight Connector           | 1 per Pump   |     |     |     |     |     |     |     |  |
|    |   | 3/8" – 3/8" gerader Anschluss            | 1 pro Pumpe  |     |     |     |     |     |     |     |  |
|    |   | Connecteur droit 3/8" – 3/8"             | 1 par pompe  |     |     |     |     |     |     |     |  |
|    |   | Raccordo diritto 3/8" – 3/8"             | 1 per pompa  |     |     |     |     |     |     |     |  |
| 4  | PI171   | PTFE Lined Pump Pipe                     | 1 per Pump   |     |     |     |     |     |     |     |  |
|    |   | PTFE-ausgekleidetes Pumpenrohr           | 1 pro Pumpe  |     |     |     |     |     |     |     |  |
|    |   | Tuyau de pompe revêtu de PTFE            | 1 par pompe  |     |     |     |     |     |     |     |  |
|    |   | ubo della pompa rivestito in PTFE        | 1 per pompa  |     |     |     |     |     |     |     |  |
| 5  | FZ401203  | M5 x 12 Screw                            | 2 per Pump   |     |     |     |     |     |     |     |  |
|    |   | M5 x 12 Schraube                         | 2 pro Pumpe  |     |     |     |     |     |     |     |  |
|    |   | Vis M5x12                                | 2 par pompe  |     |     |     |     |     |     |     |  |
|    |   | Vite M5 x 12                             | 2 per pompa  |     |     |     |     |     |     |     |  |
| 6  | FZ401103  | M5x15x1.2 Washer                         | 2 per Pump   |     |     |     |     |     |     |     |  |
|    |   | Unterlegscheibe D5,3/15X1,2              | 2 pro Pumpe  |     |     |     |     |     |     |     |  |
|    |   | Rondelle D5.3/15X1.2                     | 2 par pompe  |     |     |     |     |     |     |     |  |
|    |   | Rondella D5.3/15X1.2                     | 2 per pompa  |     |     |     |     |     |     |     |  |
| 7  | FAS2019   | M4 x 20 Screw                            | 2 per Pump   |     |     |     |     |     |     |     |  |
|    |   | M4 x 20 Schraube                         | 2 pro Pumpe  |     |     |     |     |     |     |     |  |
|    |   | Vis M4 x 20                              | 2 par pompe  |     |     |     |     |     |     |     |  |
|    |   | Vite M4 x 20                             | 2 per pompa  |     |     |     |     |     |     |     |  |
| 8  | FZ09413002  | M4 Washer ext shake                      | 2 per Pump   |     |     |     |     |     |     |     |  |
|    |   | M4 Unterlegscheibe ext schütteln         | 2 pro Pumpe  |     |     |     |     |     |     |     |  |
|    |   | M4 Rondelle ext shake                    | 2 par pompe  |     |     |     |     |     |     |     |  |
|    |   | M4 Rondella est agitare                  | 2 per pompa  |     |     |     |     |     |     |     |  |
| 9  | AVA149ZR10  | M4 Washer                                | 2 per Pump   |     |     |     |     |     |     |     |  |
|    |   | M4 Unterlegscheibe                       | 2 pro Pumpe  |     |     |     |     |     |     |     |  |
|    |   | M4 Rondelle                              | 2 par pompe  |     |     |     |     |     |     |     |  |
|    |   | M4 Rondella                              | 2 per pompa  |     |     |     |     |     |     |     |  |



| No       | Part N°<br>Teile-Nr<br>Numéro de pièce<br>Parte n | Description / Beschreibung /<br>Descrizione | Number of parts per model<br>Anzahl der Teile pro Modell<br>Nombre de pièces par modèle<br>Numero di parti per modello |     |     |     |     |     |     |     |  |
|----------|---|---|--|-----|-----|-----|-----|-----|-----|-----|--|
|          |   |   | 211  | 311 | 411 | 412 | 422 | 522 | 622 | 633 |  |
| 1        | FZ100831  | Frying Basket                               | 1  |     |     | 2   | 2   | 1   |     | 3   |  |
|          |   | Frittierkorb                                |  |     |     |     |     |     |     |     |  |
|          |   | Panier à Frire                              |  |     |     |     |     |     |     |     |  |
|          |   | Cestino per friggere                        |  |     |     |     |     |     |     |     |  |
|          | FZ100761  | Frying Basket                               | (1)  |     |     |     |     |     | 1   | 2   |  |
|          |   | Frittierkorb                                |  |     |     |     |     |     |     |     |  |
|          |   | Panier à Frire                              |  |     |     |     |     |     |     |     |  |
|          |   | Cestino per friggere                        |  |     |     |     |     |     |     |     |  |
|          | FZ301093  | Frying Basket                               | (2)  |     |     |     |     |     | (2) |     |  |
|          |   | Frittierkorb                                |  |     |     |     |     |     |     |     |  |
|          |   | Panier à Frire                              |  |     |     |     |     |     |     |     |  |
|          |   | Cestino per friggere                        |  |     |     |     |     |     |     |     |  |
| FZ411048 | Frying Basket                                     |   |  |     | 1   |     |     |     |     |     |  |
|          | Frittierkorb                                      |   |  |     |     |     |     |     |     |     |  |
|          | Panier à Frire                                    |   |  |     |     |     |     |     |     |     |  |
|          | Cestino per friggere                              |   |  |     |     |     |     |     |     |     |  |
| 2        | FZ211047  | Batter Plate                                | 1  |     |     |     | 2   | 1   |     | 3   |  |
|          |   | Teigplatte                                  |  |     |     |     |     |     |     |     |  |
|          |   | Plaque de pâte                              |  |     |     |     |     |     |     |     |  |
|          |   | Piatto di pastella                          |  |     |     |     |     |     |     |     |  |
|          | FZ311047  | Batter Plate                                | 1  |     |     |     |     |     | 1   | 2   |  |
|          |   | Teigplatte                                  |  |     |     |     |     |     |     |     |  |
|          |   | Plaque de pâte                              |  |     |     |     |     |     |     |     |  |
|          |   | Piatto di pastella                          |  |     |     |     |     |     |     |     |  |
|          | FZ411047  | Batter Plate                                |  |     | 1   | 1   |     |     |     |     |  |
|          |   | Teigplatte                                  |  |     |     |     |     |     |     |     |  |
|          |   | Plaque de pâte                              |  |     |     |     |     |     |     |     |  |
|          |   | Piatto di pastella                          |  |     |     |     |     |     |     |     |  |
|          |   |   |  |     |     |     |     |     |     |     |  |



**Baskets, Batter Plates and Filters / Körbe, Teigplatten und Filter / Paniers, plaques de pâte et filtres / Cestelli, Piatti e Filtri**



| No                         | Part N°<br>Teile-Nr<br>Numéro de pièce<br>Parte n | Description / Beschreibung /<br>Descrizione | Number of parts per model<br>Anzahl der Teile pro Modell<br>Nombre de pièces par modèle<br>Numero di parti per modello |     |     |     |     |     |     |     |   |
|----------------------------|---|---|--|-----|-----|-----|-----|-----|-----|-----|---|
|                            |   |   | 211  | 311 | 411 | 412 | 422 | 522 | 622 | 633 |   |
| 3                          | FZ211191  | Stainless Steel Filter                      | 1  |     |     |     |     | 2   |     |     | 3 |
|                            |   | Edelstahlfilter                             |  |     |     |     |     |     |     |     |   |
|                            |   | Filtre en acier inoxydable                  |  |     |     |     |     |     |     |     |   |
|                            |   | Filtro in acciaio inossidabile              |  |     |     |     |     |     |     |     |   |
|                            | FZ211192  | Stainless Steel Filter                      |  | 1   | 1   | 1   |     |     |     | 2   |   |
|                            |   | Edelstahlfilter                             |  |     |     |     |     |     |     |     |   |
| Filtre en acier inoxydable |   |   |  |     |     |     |     |     |     |     |   |
| 4                          | FZ101142  | Fine Tissue Filter Support                  | 1  |     |     |     |     | 2   |     |     | 3 |
|                            |   | Unterstützung für Feingewebefilter          |  |     |     |     |     |     |     |     |   |
|                            |   | Support de filtre à tissu fin               |  |     |     |     |     |     |     |     |   |
|                            |   | Supporto per filtri per tessuti fini        |  |     |     |     |     |     |     |     |   |
|                            | FZ101143  | Fine Tissue Filter Support                  |  | 1   | 1   | 1   |     |     |     | 2   |   |
|                            |   | Unterstützung für Feingewebefilter          |  |     |     |     |     |     |     |     |   |
| 5                          | FZ101158  | Fine Tissue filter – not shown              | 1  |     |     |     |     | 2   |     |     | 3 |
|                            |   | Feingewebefilter – nicht abgebildet         |  |     |     |     |     |     |     |     |   |
|                            |   | Filtre à tissus fins – non illustré         |  |     |     |     |     |     |     |     |   |
|                            |   | Filtro per tessuti fini – non mostrato      |  |     |     |     |     |     |     |     |   |
|                            | FZ101159  | Fine Tissue filter – not shown              |  | 1   | 1   | 1   |     |     |     | 2   |   |
|                            |   | Feingewebefilter – nicht abgebildet         |  |     |     |     |     |     |     |     |   |
| 6                          | FZ100805  | Lifting Hook                                | 1  | 1   | 1   | 1   | 1   | 1   | 1   | 1   | 1 |
|                            |   | Hebehaken                                   |  |     |     |     |     |     |     |     |   |
|                            |   | Crochet de lavage                           |  |     |     |     |     |     |     |     |   |
|                            |   | Gancio di sollevamento                      |  |     |     |     |     |     |     |     |   |
|                            |   |   |  |     |     |     |     |     |     |     |   |
|                            |   |   |  |     |     |     |     |     |     |     |   |
|                            |   |   |  |     |     |     |     |     |     |     |   |
|                            |   |   |  |     |     |     |     |     |     |     |   |

