



Installation, Operating and Servicing Instructions

Opus 800 Electric Salamander
OE8303, OE8304

Please make a note of your product details for
future use:

Date Purchased: _____

Model Number: _____

Serial Number: _____

Dealer: _____

Opus **800**

CONTENTS

| | |
|--|----|
| IMPORTANT INFORMATION | 2 |
| WARNINGS AND PRECAUTIONS | 3 |
| TECHNICAL DATA | 3 |
| CHECK LIST OF ENCLOSURES | 3 |
| INSTALLATION AND COMMISSIONING | 4 |
| OPERATING INSTRUCTIONS | 5 |
| CLEANING | 7 |
| SERVICING, MAINTENANCE AND COMPONENT REPLACEMENT | 7 |
| FAULT FINDING | 9 |
| SPARE PARTS LIST | 9 |
| ACCESSORIES | 9 |
| SERVICE INFORMATION | 12 |
| GUARANTEE | 12 |

IMPORTANT INFORMATION



Read these instructions carefully before using this product, paying particular attention to all sections that carry warning symbols, caution symbols and notices. Ensure that these are understood at all times.



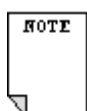
WARNING!

This symbol is used whenever there is a risk of personal injury.



CAUTION!

This symbol is used whenever there is a risk of damaging your Lincat product.



NOTE:

This symbol is used to provide additional information, hints and tips.

KEEP THIS MANUAL FOR FUTURE REFERENCE

WARNINGS AND PRECAUTIONS



This appliance must be installed, commissioned and serviced by a qualified person in accordance with national and local regulations in force in the country of installation.

If the supply cord is damaged, it must be replaced by the manufacturer, its service agent or similarly qualified person.

Ensure that the plug/socket is accessible at all times.

Strip plastic coating and clean the appliance before use.

During operation parts may become hot - avoid accidental contact.

Disconnect this appliance before servicing, maintenance or cleaning.

TECHNICAL DATA

| | OE8304 | OE8303 |
|---|---------------|------------------------------|
| Height (mm) | 384 | 494 |
| Width (mm) | 800 | 900 |
| Depth (mm) | 410 | 522 |
| Weight (kg) | 45 | 67 |
| Power Rating | 4.4 | 5.4 |
| Supply 1N~+E 230V 50-60Hz Current (A) | 19.1 | 23.5 |
| Supply 3N~+E 400V 50-60Hz Current (A) | N/A | L1 11.8 L2 11.8 L3 N/A |

CHECK LIST OF ENCLOSURES

| | OE8304 | OE8303 |
|----------------|---------------|---------------|
| Warranty card | | |
| Instructions | | |
| Grill shelf | | |
| Branding plate | N/A | |
| Feet | 4 per | 4 per |

INSTALLATION AND COMMISSIONING

This appliance must be earthed.



An equipotential bonding terminal is provided to allow cross bonding with other equipment.

If replacing the plug connect the terminals as follows:

| | | |
|-----------------------|---------|---|
| Green and Yellow wire | Earth | E |
| Blue wire | Neutral | N |
| Brown wire | Live | L |

Means of isolation with at least 3mm contact separation in all poles must be incorporated into the fixed wiring of this appliance.

The fixed wiring insulation must be protected by insulated sleeving having a temperature rating of at least 60°

Supply cords shall be oil resistant, sheathed flexible cable not lighter than ordinary polychloroprene or equivalent elastomer sheathed cord (code 60245 IEC 57)

Install this appliance on a level surface ensuring all vents are unobstructed. Any partitions, walls or furniture must be of non-combustible material. Minimum distances

A 100mm B 1000mm – see Fig 1.

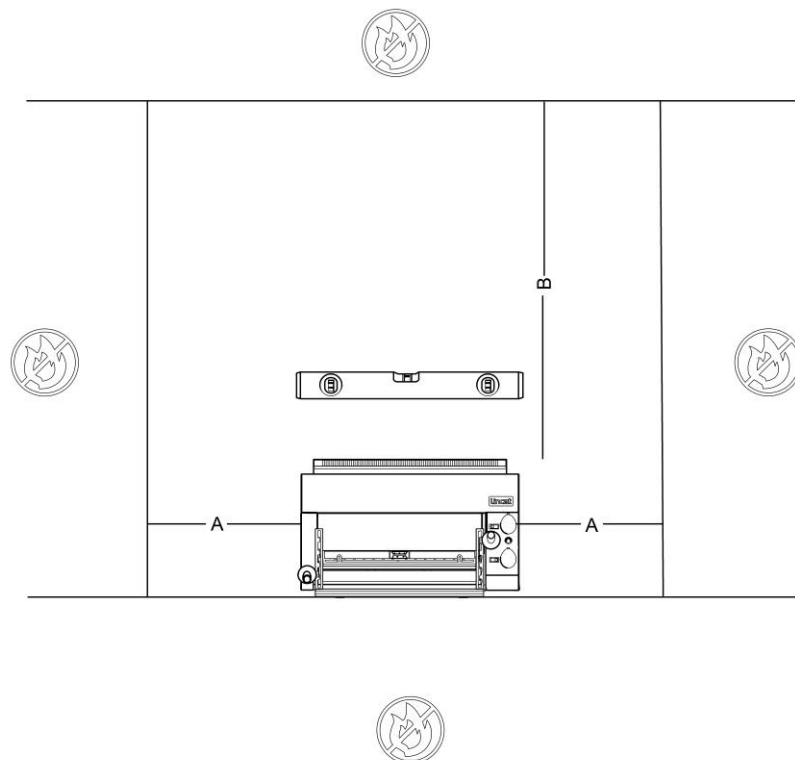


Fig 1

Ensure there is a space of at least 1000mm between the working surface and any ceiling.

To allow for ventilation, the 4 x M8 feet must be fitted using the nuts and washers provided if the appliance is bench mounted.

Dirty extraction filters and drip trays may become a fire hazard due to a build-up of grease/fat and also drip down onto equipment below. Regular cleaning of extraction filters and drip trays **MUST** be carried out and it's the installer's responsibility to make the operator aware of this.

If the unit is installed above or adjacent to a heat source, the maximum temperature surrounding the unit must be no greater than 50°C. The installer will need to use an insulated shelf and install heat shields to protect the unit as required.

Unless sited on the wall bracket which sets this distance the appliances should have at least 100mm left behind the appliance.

Connection of the supply cable is made at the rear of the appliance. Remove the protective cover and fit a suitable cable into the strain relief and then to the inlet terminal block. The appliance is supplied for connection to a three-phase supply. The terminal block is suitable for either 16mm² solid single core cable or 2 sizes lower of stranded cable i.e. 10mm² and 6mm².

OPERATING INSTRUCTIONS

Only qualified or trained personnel should use this appliance.

Turn on the power supply – the green power on neon will illuminate.

Rotate the control knob/s to the desired setting – on OE8303, upper control knob for LH side, lower control knob for RH side.

To shutdown, rotate controls to the 'Off' position and switch off at the isolating switch.

Cooking on the Salamander – OE8303/4

To mount the branding plate on the grill shelf, locate the holes to the rear of the branding plate over the pegs on the rear of the grill shelf. Similarly, the drip tray mounts on the front of the grill shelf. Shelf supports within the cooking cavity allow a variety of height levels and angles to optimise the cooking process.

A crumb tray sits in the base of the cooking cavity. This **must** always be in place when the grill is in operation.

Toasting

Use the grill shelf in the horizontal position for toasting or browning/cheese melting.

Grilling

The branding plate is ideal for cooking steaks, fillets, chops, cutlets etc. To achieve best results, pre-heat for 10 minutes before product is introduced.

CLEANING



Turn off before cleaning, let appliance cool to ensure against scalds & burns.

Do not use a water jet or steam cleaner, and do not immerse this appliance.

Clean all panels with warm water and mild detergent. Do not use abrasive materials. Dry with a soft cloth.

The grill pan should be withdrawn to assist with cleaning. Lift off the branding plate and grill shelf, and drain the drip tray. Lift at the front until the hooks (Fig 3 D) are clear of the slots in the liner sides and pull forwards. Refit by reversing the procedure.

SERVICING, MAINTENANCE AND COMPONENT REPLACEMENT

All servicing, maintenance and component replacement on this appliance should be carried out by one of our recommended service engineers.

Component replacement – Fig 1

To gain access to the elements lift off the outer top cover A which is retained by sprung clips.

Unscrew flue top B and remove.

Unscrew the four main screws that hold the lid C down.

Elements are held up with rods secured with dot lock caps D.

Energy regulators, relays etc. can be accessed through the access panel E on the right hand side of the appliance.

Access to the elements connections at F are now available. (OE8304 are at the RH side)

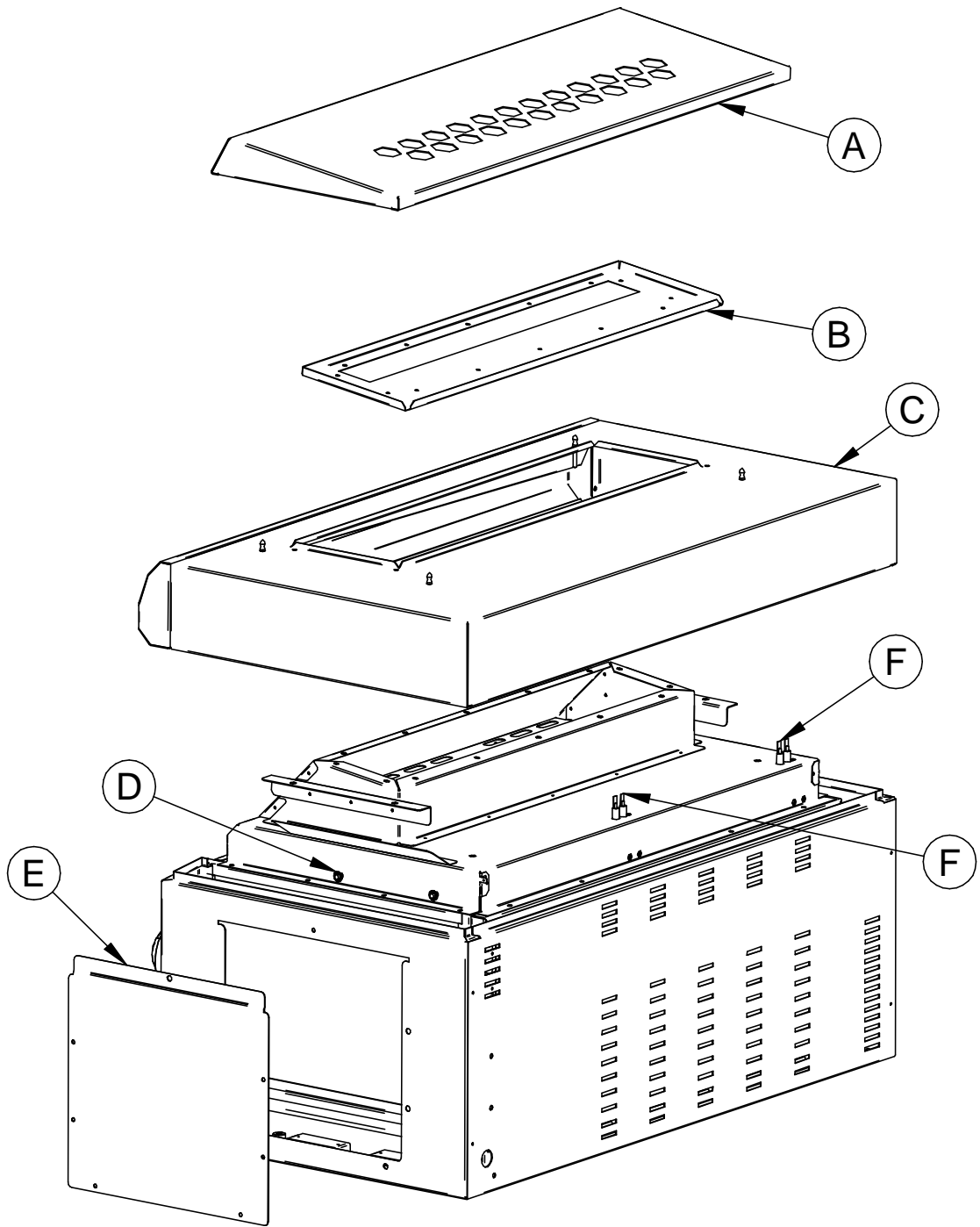


FIG 1

FAULT FINDING

Please refer to the Service Help Desk number on the final page of this manual.

SPARE PARTS LIST

| Part Number | Description | Used on |
|-------------|------------------|----------|
| CO09 | Power relay | OE8303/4 |
| EL203 | Element | OE8303 |
| EL223 | Element | OE8304 |
| EN10 | Energy regulator | OE8303/4 |
| HA02 | Handle | OE8303/4 |
| NE39 | Green neon | OE8303/4 |
| BR10 | Branding plate | OE8303 |
| BR37 | Branding plate | OE8304 |
| | | |

ACCESSORIES

| Part Number | Description | Used on |
|-------------|--------------|---------|
| OA8907 | Floor stand | OE8303 |
| OA8908 | Bench stand | OE8303 |
| OA8909 | Wall bracket | OE8303 |
| | | |
| OA8911 | Wall bracket | OE8304 |
| OA8912 | Floor stand | OE8304 |
| OA8918 | Bench stand | OE8304 |

Accessory installation

Wall Bracket – Fig 2

Ensure the wall construction is substantial enough to support the weight of the salamander grill. Mark and drill wall for M10 rawl bolts. Fix shelf to wall holes B. Position salamander on top of wall shelf, lining up the mounting holes A in the top of the shelf with the pierce nuts in the base of the appliance. Fix in position using 4 M8 x 16mm screws.

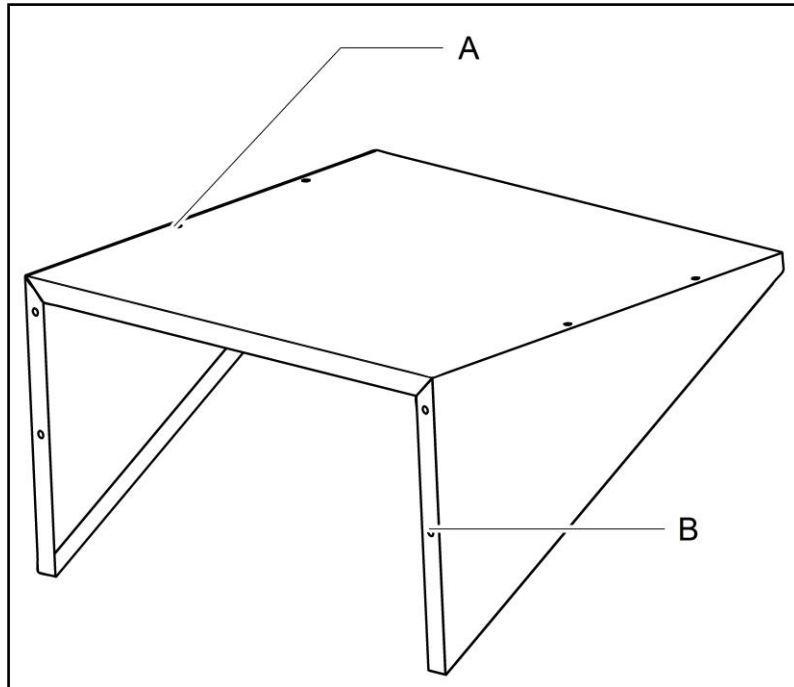


Fig 2

Floor Stand – Fig 3

Position floor stand then level it on adjustable feet. Adjust height of stabilising bracket A. Mark and drill floor for stabilising brackets B. Fix in position. Position Salamander on top of floor stand. Line up holes in frame with pierce nuts in appliance base. Fix appliance to stand using 4 M* x 50mm screws.

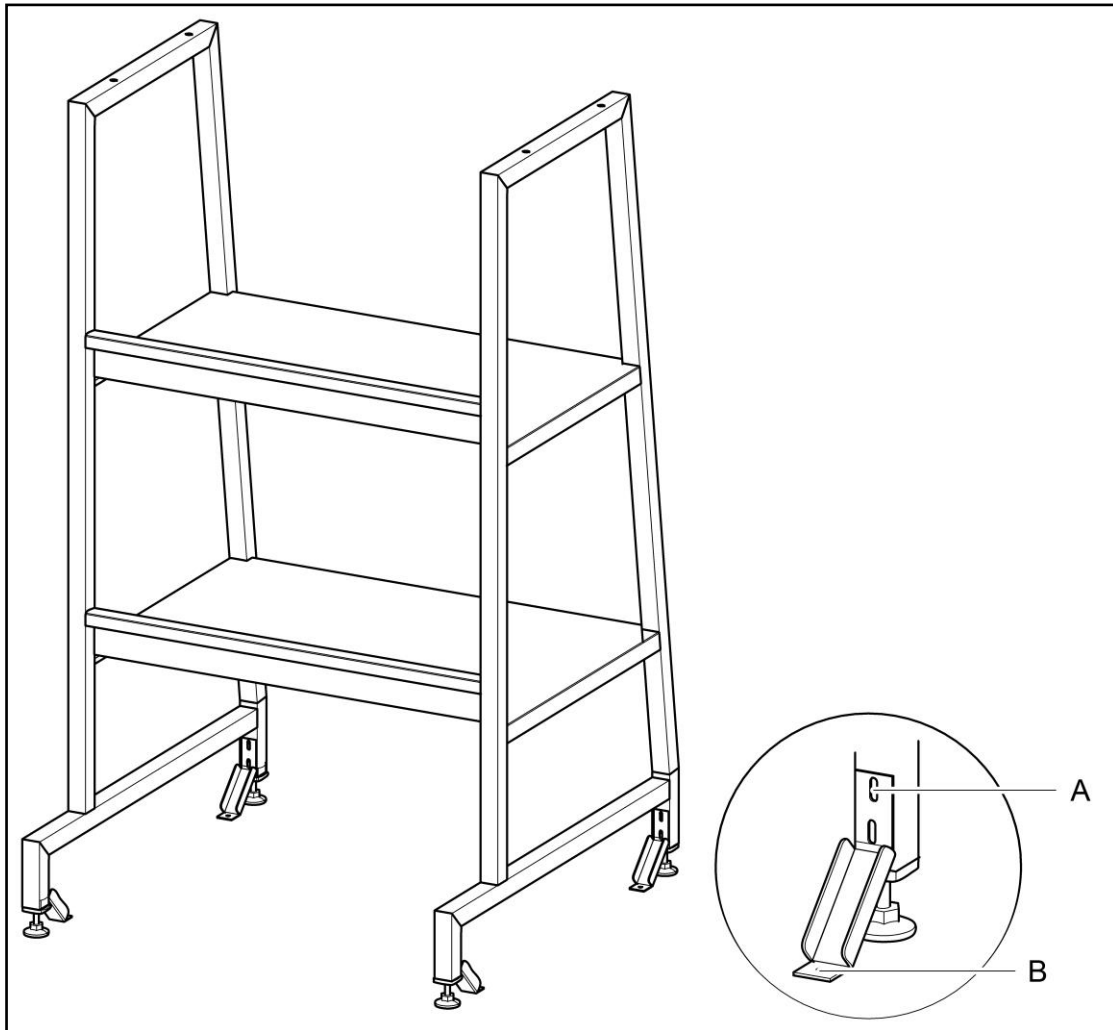


Fig 3

SERVICE INFORMATION

For help with the installation, maintenance and use of your **Lincat** equipment, please contact our service department:

☎ UK: 01522 875520

For non-UK customers, please contact your local Lincat dealer

All service work, other than routine cleaning should be carried out by one of our authorised service agents. We cannot accept responsibility for work carried out by other persons.

To ensure your service enquiry is handled as efficiently as possible, please tell us:

- Brief details of the problem
 - Product code
 - Type number
 - Serial number
- } All available on serial plate

Lincat reserve the right to carry out any work under warranty, given reasonable access to the appliance, during normal working hours, Monday to Friday, 08:30 to 17:00.

GUARANTEE

This unit carries a comprehensive UK mainland 2 year warranty. The guarantee is in addition to, and does not diminish your statutory or legal rights.

The guarantee does not cover:

- Accidental damage, misuse or use not in accordance with the manufacturer's instructions
- Consumable items (such as filters, glass, bulbs, slot toaster elements and door seals.)
- Damage due to incorrect installation, modification, unauthorised service work or damage due to scale, food debris build-up, etc.

The manufacturer disclaims any liability for incidental, or consequential damages. Attendance is based on reasonable access to the appliance to allow the authorised technician to carry out the warranty work.

Service calls to equipment under warranty will be carried out in accordance with the conditions of sale. Unless otherwise specified, a maximum of 15 minutes of administrative time, not spent directly carrying out servicing work, is provided for within the warranty. Any requirement for staff attending the call to spend greater time than 15 minutes due to administrative requirements, such as on health and safety risk assessments, will be chargeable at the prevailing rate.