

OPERATOR'S MANUAL



Model 358 and 359 Thick Shake Freezers

Original Operating Instructions

056788-M

8/2/10 (Original Publication)
(Updated 8/10/20)

Complete this page for quick reference when service is required:

Taylor distributor: _____

Address: _____

Phone: _____

Service: _____

Parts: _____

Date of installation: _____

Information found on the data label:

Model Number: _____

Serial Number: _____

Electrical Specs: Voltage _____ Cycle _____

 Phase _____

Maximum Fuse Size: _____ A

Minimum Wire Ampacity: _____ A

Note: Continuing research results in steady improvements; therefore, information in this manual is subject to change without notice.

Note: Only instructions originating from the factory or its authorized translation representative(s) are considered to be the original set of instructions.

© 2010 Taylor Company
056788-M

Any unauthorized reproduction, disclosure, or distribution of copies by any person of any portion of this work may be a violation of copyright law of the United States of America and other countries, could result in the awarding of statutory damages of up to \$250,000 (17 USC 504) for infringement, and may result in further civil and criminal penalties. All rights reserved.



Taylor Company
750 N. Blackhawk Blvd.
Rockton, IL 61072

Table of Contents

Section 1: To the Installer

Installer Safety	1-1
Site Preparation	1-1
Air-Cooled Machine.	1-2
Electrical Connections.	1-2
Beater Rotation	1-3
Refrigerant	1-3

Section 2: To the Operator

Compressor Warranty Disclaimer	2-2
--	-----

Section 3: Safety

Section 4: Operator Parts Identification

Model 358	4-1
Model 359	4-2
Beater and Door Assembly	4-3
Accessories.	4-4

Section 5: User Interface

Power Switch	5-2
Indicator Light - MIX OUT	5-2
RESET Button.	5-2
Air Tube.	5-2

Section 6: Operating Procedures

Assembly.	6-1
Sanitizing.	6-4
Priming	6-5
Closing Procedure.	6-6
Draining Product from Freezing Cylinder	6-6
Rinsing	6-6
Cleaning	6-6
Disassembly	6-7
Brush-Cleaning	6-7

Table of Contents

Section 7: Operator's Checklist

During Cleaning and Sanitizing	7-1
Troubleshooting Bacterial Count	7-1
Regular Maintenance Checks.....	7-1
Winter Storage	7-2

Section 8: Troubleshooting Guide

Section 9: Parts Replacement Schedule

Section 10: Limited Warranty on Equipment

Section 11: Limited Warranty on Parts

The following information has been included in the manual as safety and regulatory guidelines. For complete installation instructions, please see the Installation Checklist.

Installer Safety



IMPORTANT! In all areas of the world, machines should be installed in accordance with existing local codes. Please contact your local authorities if you have any questions.

Care should be taken to ensure that all basic safety practices are followed during the installation and servicing activities related to the installation and service of Taylor® machines.

- Only Taylor service personnel should perform installation, maintenance, and repairs on Taylor machines.
- Authorized service personnel should consult OSHA Standard 29CFR1910.147 or the applicable code of the local area for industry standards on lockout/tagout procedures before beginning any installation or repairs.
- Authorized service personnel must ensure that the proper personal protective equipment (PPE) is available and worn when required during installation and service.
- Authorized service personnel must remove all metal jewelry, rings, and watches before working on electrical equipment.



DANGER! The main power supply(s) to the machine must be disconnected prior to performing any installation, maintenance, or repairs. Failure to follow this instruction may result in personal injury or death from electrical shock or hazardous moving parts, as well as poor performance or damage to the machine.

Note: All repairs must be performed by a Taylor service technician.



WARNING! This machine has many sharp edges that can cause severe injuries.

Site Preparation

Review the area where the machine will be installed before uncrating the machine. Make sure all possible hazards to the user or machine have been addressed.



WARNING! Only install this machine in a location where its use and maintenance is restricted to trained personnel. Failure to comply may result in personal injury.

For Indoor Use Only: This machine is designed to operate indoors, under normal ambient temperatures of 70°F to 75°F (21°C to 24°C). The freezer has successfully performed in high ambient temperatures of 104°F (40°C) at reduced capacities.



CAUTION! This machine must be installed on a level surface to avoid the hazard of tipping. Extreme care should be taken in moving this machine for any reason. Two or more persons are required to safely move this machine. Failure to comply may result in personal injury or damage to the machine.

The authorized installer should inspect the machine and promptly report any damage to the local authorized Taylor distributor.

This machine is made using USA sizes of hardware. All metric conversions are approximate and vary in size.

Air-Cooled Machine

Do not obstruct air intake and discharge openings:

Air-cooled machines require a minimum of 3 in. (76 mm) of clearance around all sides of the freezers and 3-1/2 in. (89 mm) on the bottom.

1 **Model 359 Only:** Installation of air deflector is required. Failure to allow adequate clearance can reduce the refrigeration capacity of the freezers and possibly cause permanent damage to the compressors.

Electrical Connections



IMPORTANT! In the United States, this machine is intended to be installed in accordance with the National Electrical Code (NEC), ANSI/NFPA 701987. The purpose of the NEC code is the practical safeguarding of persons and property from hazards arising from the use of electricity. This code contains provisions considered necessary for safety.

In all other areas of the world, the machine should be installed in accordance with the existing local codes. Please contact your local authorities if you have any questions.

Each machine requires one power supply for each data label on the machine. Check the data label(s) on the machine for branch circuit overcurrent protection or fuse, circuit ampacity, and other electrical specifications.

See the wiring diagram provided inside the electrical box for proper power connections.



FOLLOW YOUR LOCAL ELECTRICAL CODES.



WARNING! This machine must be properly grounded. Failure to do so can result in severe personal injury from electrical shock.



IMPORTANT! An equipotential grounding lug is provided with this machine. Some countries require the grounding lug to be properly attached to the rear of the frame by the authorized installer. The installation location is marked by the equipotential bonding symbol (5021 of

IEC 60417-1) on both the removable panel and the machine's frame.



IMPORTANT!

- Stationary machines which are not equipped with a power cord and a plug or another device to disconnect the machine from the power source must have an all-pole disconnecting device with a contact gap of at least 0.125 in. (3 mm) in the external installation.
- Machines that are permanently connected to fixed wiring and for which leakage currents may exceed 10 mA, particularly when disconnected or not used for long periods, or during initial installation, shall have protective devices to protect against the leakage of current, such as a GFI, installed by authorized personnel to local codes.
- Supply cords used with this machine shall be oil-resistant, sheathed flexible cable not lighter than ordinary polychloroprene or other equivalent synthetic elastomer-sheathed cord (code designation 60245 IEC 57) installed with the proper cord anchorage to relieve conductors from strain, including twisting, at the terminals and protect the insulation of the conductors from abrasion.
- If the supply cord is damaged, it must be replaced by a Taylor service technician to avoid a hazard.
- Secure supply cord ground lead to machine in a location where if the cord is pulled the main power leads become taut before the ground lead can break loose.

Beater Rotation

Note: The following procedures must be performed by a Taylor service technician.



NOTICE! Beater rotation must be clockwise as viewed looking into the freezing cylinder.

To correct the rotation on a three-phase machine, interchange any two incoming power supply lines at the freezer main terminal block only. To correct rotation on a single-phase machine, exchange leads inside the beater motor. (Follow the diagram printed on the motor.)

Electrical connections are made directly to the terminal block provided in the main control box, located behind the service panel.

It is recommended that beater rotation adjustment be performed by a Taylor service technician.

Refrigerant



CAUTION! This machine contains fluorinated greenhouse gases (F-Gas) to provide refrigeration using a hermetically sealed circuit or within foam insulation.

This machine's type of gas, quantity, Global Warming Potential (GWP), and CO₂ tonnes equivalent information is recorded on the machine's data label. The refrigerant used is generally considered nontoxic and nonflammable. However any gas under pressure is potentially hazardous and must be handled with caution.

NEVER fill any refrigerant cylinder completely with liquid. Filling the cylinder approximately 80% will allow for normal expansion.



CAUTION! Use only approved refrigerant listed on the machine's data label or authorized through a manufacturer's technical bulletin. The use of any other refrigerant may expose users and operators to unexpected safety hazards.



WARNING! Refrigerant liquid sprayed onto the skin may cause serious damage to tissue. Keep eyes and skin protected. If refrigerant burns should occur,

flush the area immediately with cold water. If burns are severe, apply ice packs and contact a physician immediately.



NOTICE! Taylor reminds technicians to be aware of and in compliance with local government laws regarding refrigerant recovery, recycling, and reclaiming systems. For information regarding applicable local laws, please contact your local authorized Taylor distributor.



IMPORTANT! Refrigerants and their associated lubricants may be extremely moisture absorbent. When opening a refrigeration system, the maximum time the system is open must not exceed 15 minutes. Cap all open tubing to prevent humid air or water from being absorbed by the oil.

Your freezers have been carefully engineered and manufactured to give you dependable operation. These machines, when properly operated and cared for, will produce a consistent quality product. Like all mechanical products, they will require cleaning and maintenance. A minimum amount of care and attention is necessary if the operating procedures outlined in this manual are followed closely.



IMPORTANT! This manual should be read before operating or performing any maintenance on the machine.

Your Taylor machine will **NOT** compensate for and/or correct any errors made during setup or filling operations. Thus, the initial assembly, setup, and priming procedures are of extreme importance. It is strongly recommended that all personnel responsible for the machine's operation, including assembly and disassembly, go through these procedures together to be properly trained and to make sure that all personnel understand their role in using and maintaining the machine.

If you require technical assistance, please contact your local authorized Taylor distributor.

Note: Your Taylor warranty is valid only if the parts are authorized Taylor parts, purchased from the local authorized Taylor distributor, and only if all required service work is provided by a Taylor service technician. Taylor reserves the right to deny warranty claims on machines or parts if unapproved parts or incorrect refrigerant were installed in the machine, system modifications were performed beyond factory recommendations, or it is determined that the failure was caused by abuse, misuse, neglect, or failure to follow all operating instructions. For full details of your Taylor warranty, please see the Limited Warranty section in this manual.

Note: Constant research results in steady improvements; therefore, information in this manual is subject to change without notice.



IMPORTANT! If the crossed-out wheeled bin symbol is affixed to this machine, it signifies that this machine is compliant with the EU directives as well as other similar end-of-life legislation in effect after August 13, 2005. Therefore, it must be collected separately after its use is completed and cannot be disposed as unsorted municipal waste.

The user is responsible for delivering the machine to the appropriate collection facility as specified by your local code.

For additional information regarding applicable local disposal laws, please contact the municipal waste facility and/or local authorized Taylor distributor.

Compressor Warranty Disclaimer

The refrigeration compressor(s) on this unit are warranted for the term stated in the Limited Warranty section in this manual. However, due to the Montreal Protocol and the U.S. Clean Air Act Amendments of 1990, many new refrigerants are being tested and developed, thus seeking their way into the service industry. Some of these new refrigerants are being advertised as drop-in replacements for numerous applications. It should be noted that in the event of ordinary service to this unit's refrigeration system, **only the refrigerant specified on the affixed data label should be used.** The unauthorized use of alternate refrigerants will void your Taylor compressor warranty. It is the unit owner's responsibility to make this fact known to any technician he/she employs.

2

It should also be noted that Taylor does not warrant the refrigerant used in its equipment. For example, if the refrigerant is lost during the course of ordinary service to this machine, Taylor has no obligation to either supply or provide its replacement either at billable or unbillable terms. Taylor does have the obligation to recommend a suitable replacement if the original refrigerant is banned, obsoleted, or no longer available during the 5-year warranty of the compressor.

Taylor will continue to monitor the industry and test new alternates as they are being developed. Should a new alternate prove, through our testing, that it would be accepted as a drop-in replacement, then the above disclaimer would become null and void. To find out the current status of an alternate refrigerant as it relates to your compressor warranty, call the local Taylor distributor or the Taylor factory. Be prepared to provide the model/serial number of the unit in question.

We at Taylor Company are concerned about the safety of the operator when he or she comes in contact with the freezer and its parts. Taylor has gone to extreme efforts to design and manufacture built-in safety features to protect both the operator and service technician. As an example, warning labels have been attached to the freezer to further point out safety precautions to the operator.



DANGER! Failure to adhere to the following safety precautions may result in severe personal injury or death. Failure to comply with these warnings may also damage the machine and/or its components. Such damage may require component replacement and service repair expenses.



NOTICE! DO NOT operate this machine without reading this entire manual first. Failure to follow all of these operating instructions may result in damage to the machine, poor performance, health hazards, or personal injury.



IMPORTANT! *This machine is to be used only by trained personnel. It is not intended for use, cleaning, or maintenance by children or people with reduced physical, sensory, or mental capabilities or lack of experience and knowledge, unless given supervision or instruction concerning the use of the machine by a person responsible for their safety. Children should be supervised to ensure that they do not play with the machine.*



IMPORTANT! *An equipotential grounding lug is provided with this machine. Some countries require the grounding lug to be properly attached to the rear of the frame by the authorized installer. The installation location is marked by the equipotential bonding symbol (5021 of IEC 60417-1) on both the removable panel and the machine's frame.*



WARNING! Avoid injury.

- **DO NOT** operate the machine unless it is properly grounded.
- **DO NOT** operate the machine with fuses larger than specified on the machine's data label.
- All repairs should be performed by an authorized Taylor service technician.
- The main power supplies to the machine must be disconnected prior to performing installation, repairs, or maintenance.
- **For Cord-Connected Machines:** Only Taylor service technicians or licensed electricians may install a plug or replacement cord on the machine.
- Machines that are permanently connected to fixed wiring and for which leakage currents may exceed 10 mA, particularly when disconnected or not used for long periods, or during initial installation, shall have protective devices to protect against the leakage of current, such as a GFI, installed by the authorized personnel to local codes.
- Stationary machines that are not equipped with a power cord and a plug or another device to disconnect the appliance from the power source must have an all-pole disconnecting device with a contact gap of at least 0.125 in. (3 mm) in the external installation.
- Supply cords used with this machine shall be oil-resistant, sheathed flexible cable not lighter than ordinary polychloroprene or other equivalent synthetic elastomer-sheathed cord (code designation 60245 IEC 57) installed with the proper cord anchorage to relieve conductors from strain, including twisting, at the terminals and protect the insulation of the conductors from abrasion.
- If the supply cord is damaged, it must be replaced by the manufacturer, service agent, or a similarly qualified person to avoid a hazard.
- Secure supply cord ground lead to machine in a location where if the cord is pulled the main power leads become taut before the ground lead can break loose.

SAFETY

Failure to follow these instructions may result in electrocution. Contact your local authorized Taylor distributor for service.



WARNING! This machine must **NOT** be installed in an area where a water jet or hose can be used. **NEVER** use a water jet or hose to rinse or clean the machine. Failure to follow this instruction may result in electrocution.



WARNING! Avoid injury.

- **DO NOT** allow untrained personnel to operate this machine.
- **DO NOT** operate the machine unless all service panels and access doors are fastened with screws.
- **DO NOT** remove any internal operating parts (including, but not limited to the freezer door, beater, or scraper blades) unless all control switches are in the OFF position.

Failure to follow these instructions may result in severe personal injury, especially to fingers or hands, from hazardous moving parts.



WARNING! This machine has many sharp edges that can cause severe injuries.

- **DO NOT** put objects or fingers in the door spout. This may contaminate the product and cause severe personal injury from blade contact.
- **USE EXTREME CAUTION** when removing the beater assembly. The scraper blades are very sharp.

Failure to follow these instructions can result in personal injury or damage to the machine.



CAUTION! This machine must be installed on a level surface to avoid the hazard of tipping. Extreme care should be taken in moving this machine for any reason. Two or more persons are required to safely move this machine. Failure to comply may result in personal injury or machine damage.



WARNING! Only install this machine in a location where its use and maintenance is restricted to trained personnel. Failure to comply may result in personal injury.



NOTICE! Cleaning and sanitizing schedules are governed by your federal, state, or local regulatory agencies and must be followed accordingly. Please refer to the cleaning section of this manual for the proper procedure to clean this machine.



CAUTION! This machine is designed to maintain product temperature under 41°F (5°C). Any product being added to this machine must be below 41°F (5°C). Failure to follow this instruction may result in health hazards and poor machine performance.

Do not run the machine without product. Failure to follow this instruction can result in damage to the machine.

Do not obstruct air intake and discharge openings:

Air-cooled machines require a minimum of 3 in. (76 mm) of clearance around all sides of the freezers and 3-1/2 in. (89 mm) on the bottom.

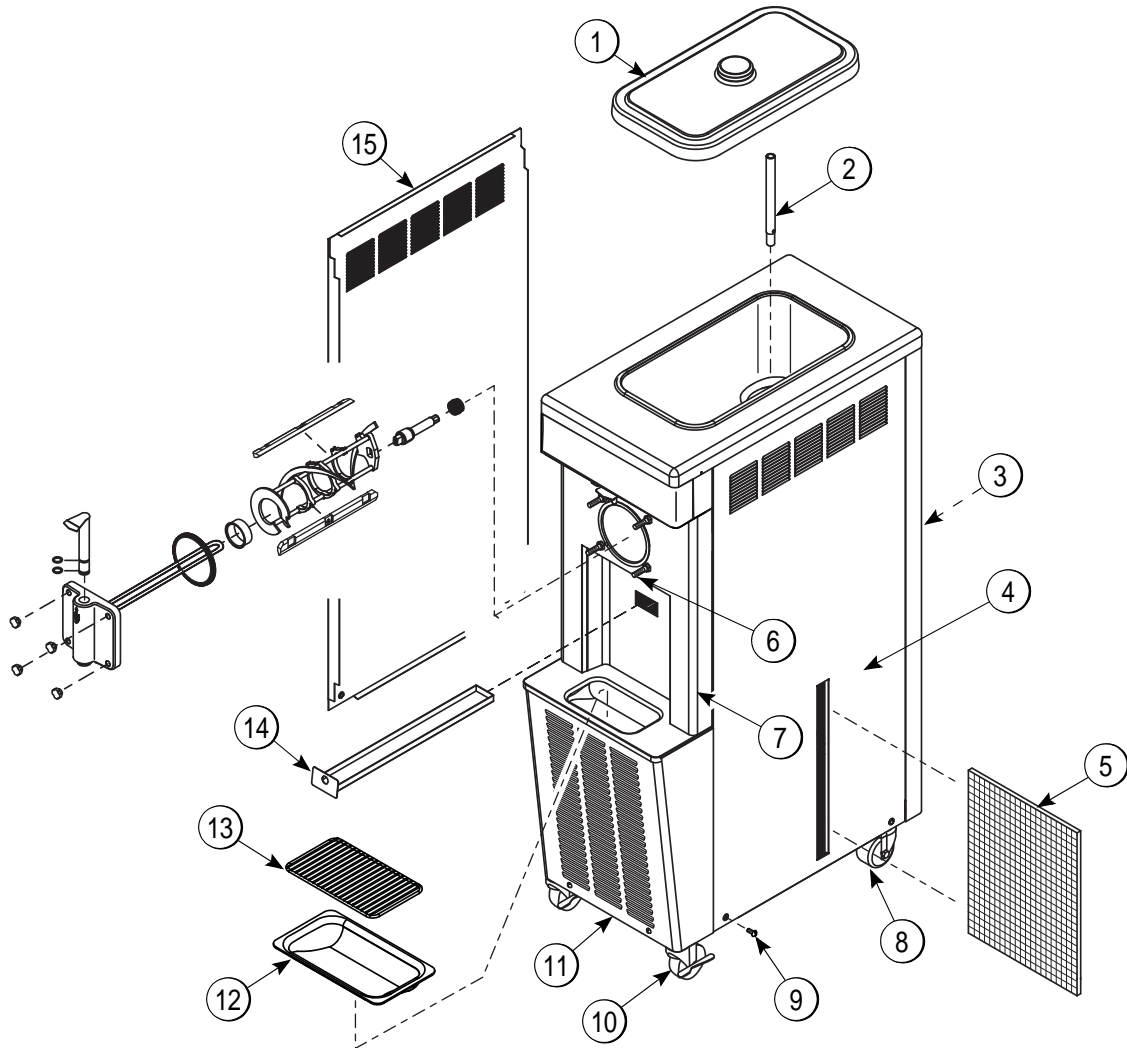
Model 359 only: Installation of the air deflector is required.

Failure to allow adequate clearance can reduce the refrigeration capacity of the freezers and possibly cause permanent damage to the compressors.

For Indoor Use Only: This machine is designed to operate indoors, under normal ambient temperatures of 70°F to 75°F (21°C to 24°C). The freezer has successfully performed in high ambient temperatures of 104°F (40°C) at reduced capacities.

NOISE LEVEL: Airborne noise emission does not exceed 78 dB(A) when measured at a distance of 39 in. (1.0 m) from the surface of the machine and at a height of 62 in. (1.6 m) from the floor.

Model 358



4

Figure 4-1

Item	Description	Part No.
1	Cover A.-Hopper Insul	X51152
2	Tube-Feed-Nonrevers	015176-5
3	Panel-Rear	046021
4	Panel-Side *358* Right	046023-SP1
5	Filter A.-13 x 16-7/8 x 7/16	046044
6	Stud-Nose Cone	054748
7	Panel A.-Front	X45987
8	Caster-Swivel 3/4 - 10 St.	021279

Item	Description	Part No.
9	Screw-1/4-20 x 5/8 Slotted	005542
10	Caster-Locking Swivel	030307
11	Panel-Service	048267
12	Tray-Drip	066696
13	Shield-Splash	066697
14	Pan A.-Drip	X50879
15	Panel-Side *Left	046022

Model 359

4

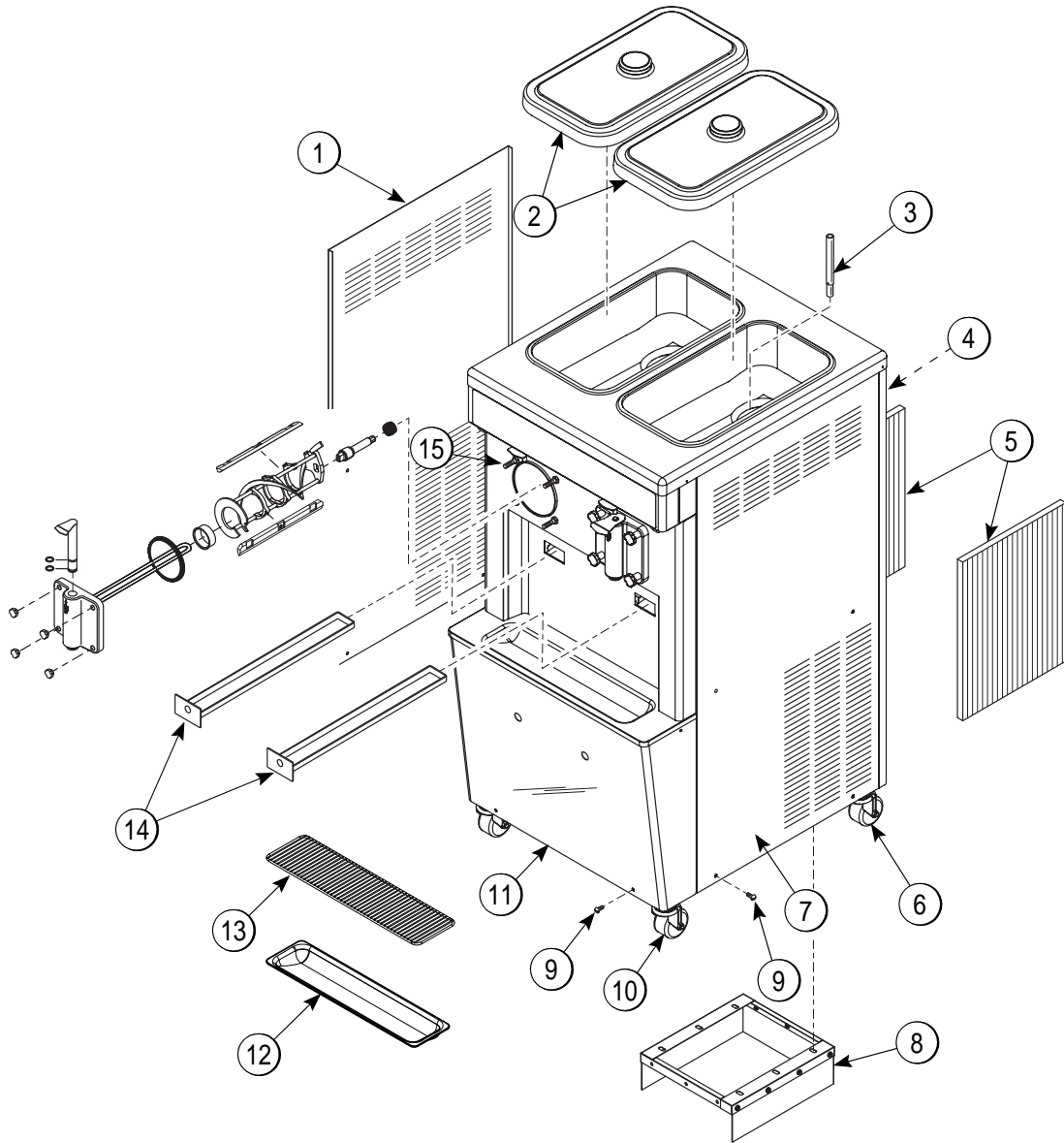
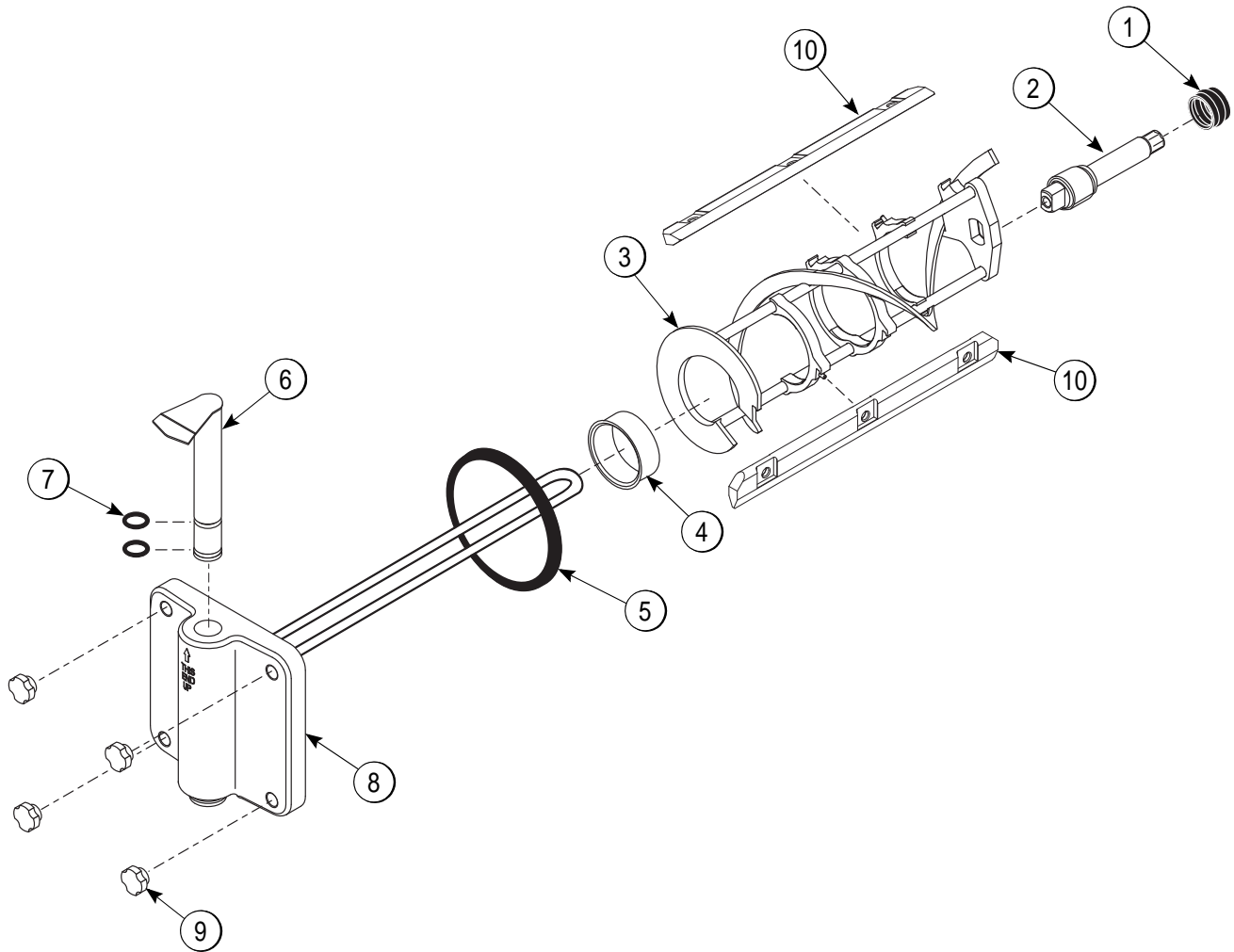


Figure 4-2

Item	Description	Part No.
1	Panel-Side-Left	065250
2	Cover Assembly-Hopper	X51152
3	Tube-Feed-Nonreversible	015176-5
4	Panel-Rear	065271
5	Filter-Air 18 L x 13.5 H x 70	052779-3
6	Caster-3" Swivel 3/4-10STM	021279
7	Panel-Side-Right	065251
8	Deflector-Air	X81693

Item	Description	Part No.
9	Screw-1/4-20 x 5/8 Slotted	005542
10	Caster-3" SWV 3/4-10 Lock	030307
11	Panel-Service Front	068705
12	Tray-Drip 19-5/8 L x 4-7/8	033812
13	Shield-Splash-Wire	033813
14	Pan A.-Drip	X50879
15	Stud-Nose Cone	054748

Beater and Door Assembly



4

Figure 4-3

Item	Description	Part No.
1	Seal-Drive Shaft	032560
2	Shaft-Beater	033235
3	Beater A.-7 Qt. - 1 Pin	X46233
4	Bearing-Front	013116
5	Gasket-Door - 5.177 ID x 5.9380	016672

Item	Description	Part No.
6	Valve A.-Draw	X46028
7	O-ring - 1-1/16 OD x .139 W	084545
8	Door-Partial 1 Spout	X30272-SER
9	Nut-Stud	021508
10	Blade-Scraper Plastic	084950

Accessories

4

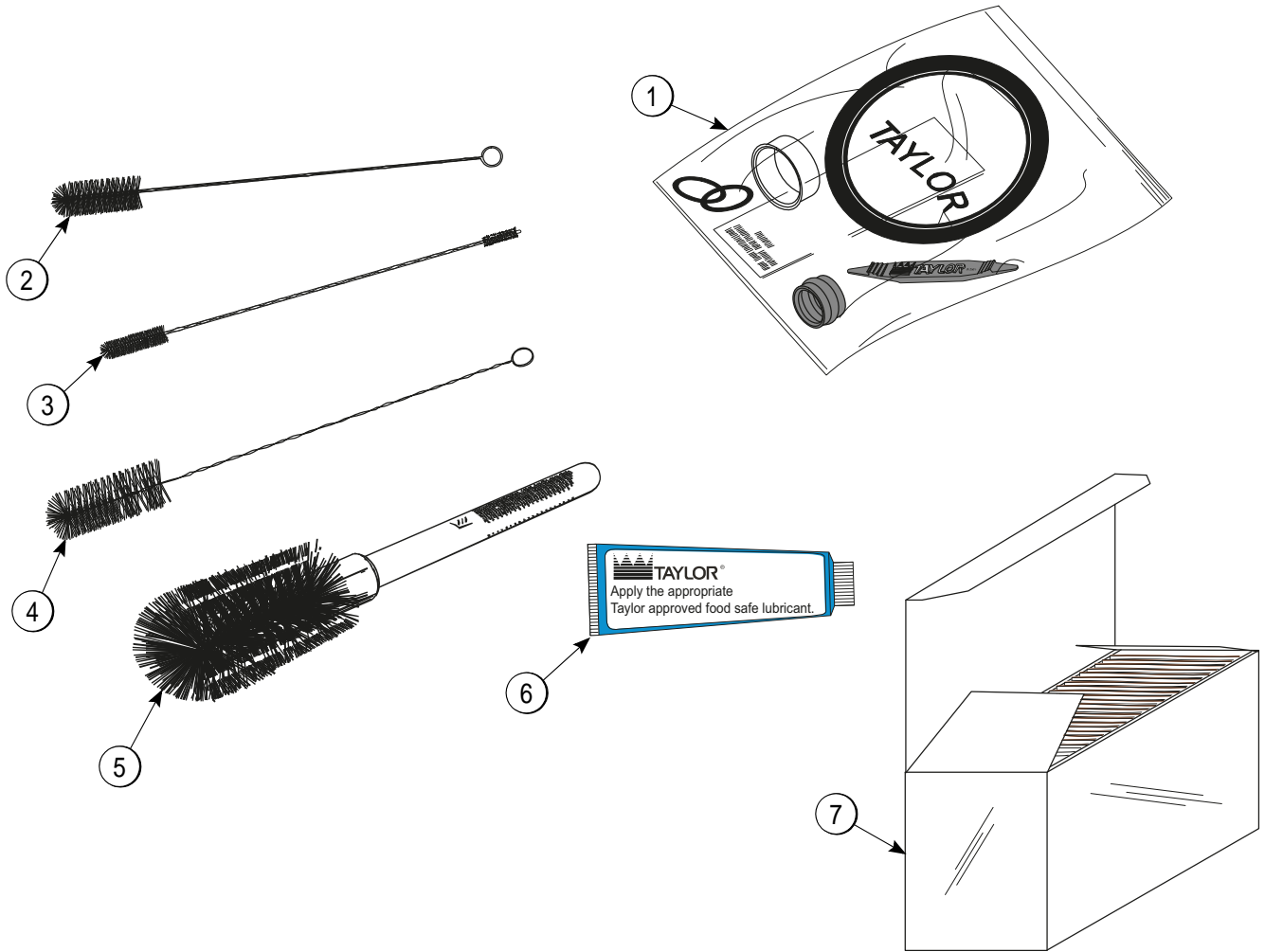


Figure 4-4

Item	Description	Part No.
1	Kit Assembly-Tune Up *358	X46050
	Kit Assembly-Tune Up *359	X36356
2	Brush-Rear Bearing	013071
3	Brush-Double Ended	013072

Item	Description	Part No.
4	Brush-Draw Valve	014753
5	Brush-Hopper 3" x 7"	023316
6	Lubricant-Taylor 4 Oz.	047518
*7	Sanitizer-Stera-Sheen	See Note

***Note:** A sample container of sanitizer is sent with the F unit. For reorders, order Stera-Sheen® part no. 055492 (100 packs) or Kay-5® part no. 041082 (125 packs).

Model 358

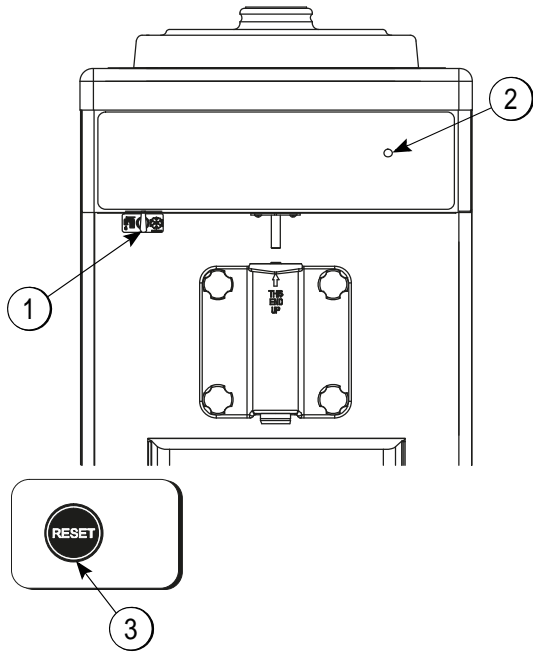


Figure 5-1

Item	Description
1	Power Switch
2	MIX OUT Indicator
3	RESET Button

Model 359

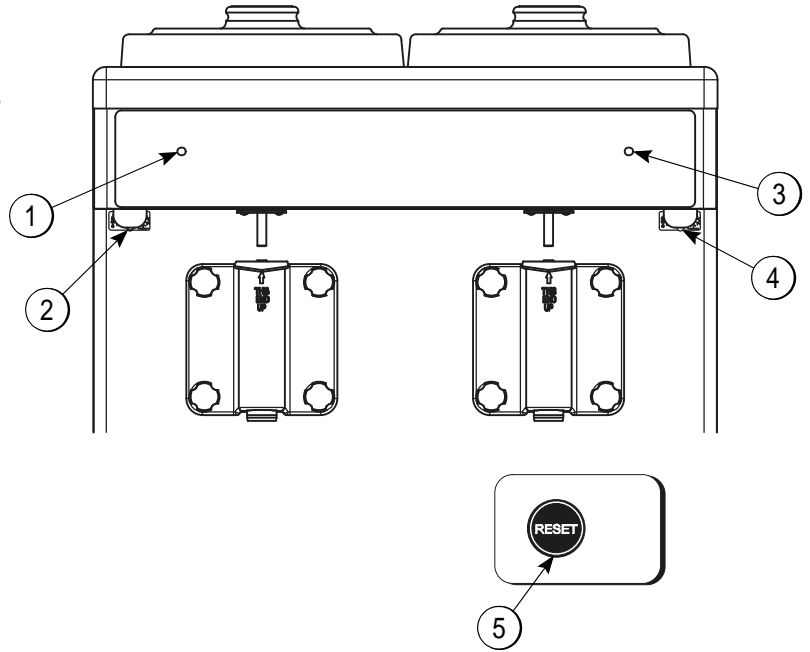


Figure 5-2

Item	Description
1	MIX OUT Indicator-Left Side
2	Power Switch-Left Side
3	MIX OUT Indicator-Right Side
4	Power Switch-Right Side
5	RESET Button

Power Switch

The middle position is OFF. The left position is Wash, which activates the beater motor only. The right position is Auto, which activates the beater motor and the refrigeration system.

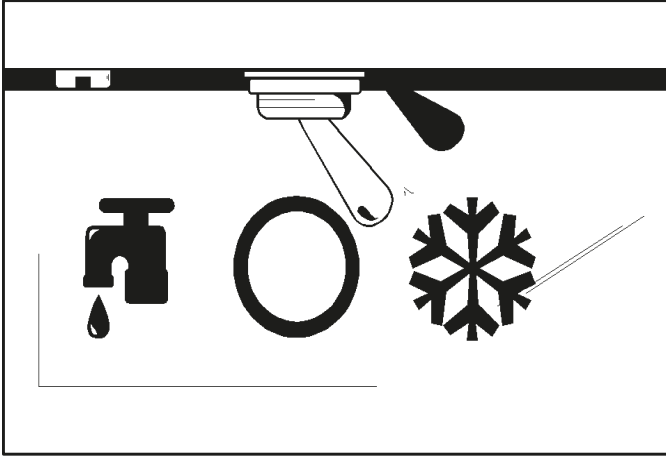


Figure 5-3

Indicator Light - MIX OUT

5 The MIX OUT light is on the front of the machine. When the MIX OUT light begins to flash, the mix hopper is almost completely exhausted and has an insufficient supply of mix to operate the freezer. Only a small amount of mix (less than 1 pint) is left in the hopper.

At this time the Auto mode is locked out and the freezer shuts down, protecting the freezer from damage due to a freeze-up. To initiate the refrigeration system, add mix to the mix hopper. The freezer will automatically begin operation.

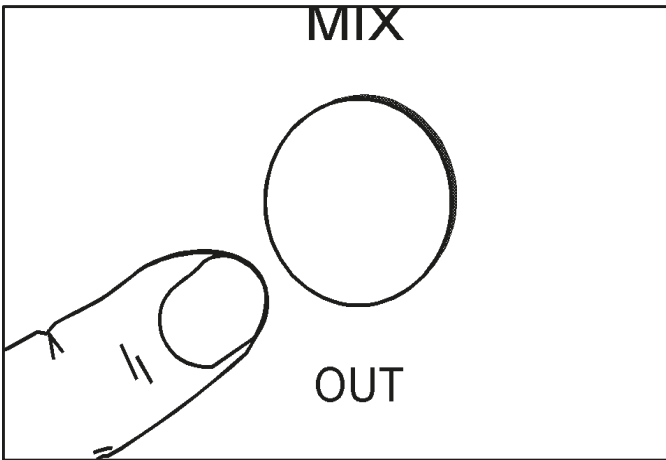


Figure 5-4

RESET Button



CAUTION! DO NOT use metal objects to press the reset button. Failure to follow this instruction may result in electrocution.

The RESET button is in the left-side panel on the Model 358. The RESET buttons are in the lower front panel on the Model 359. The reset mechanism protects the beater motor from overloading. Should an overload occur, the reset mechanism will trip.

To properly reset the freezer, place the power switch in the OFF position. Press the RESET button firmly. Place the power switch in the Wash position and observe the freezer's performance. Open the side access panel to check if the beater motor is turning the driveshaft in a clockwise (viewed from operator end) direction without binding.

If it is turning properly, place the power switch in the Auto position to resume normal operation. If the freezer shuts down again, contact a Taylor service technician.

Air Tube

The air tube is designed with a hole on one end. After priming the machine, install the air tube into the mix inlet hole with the hole end down. Every time the draw handle is raised, new mix and air from the hopper will flow down into the freezing cylinder. This will keep the freezing cylinder properly loaded and maintain overrun.

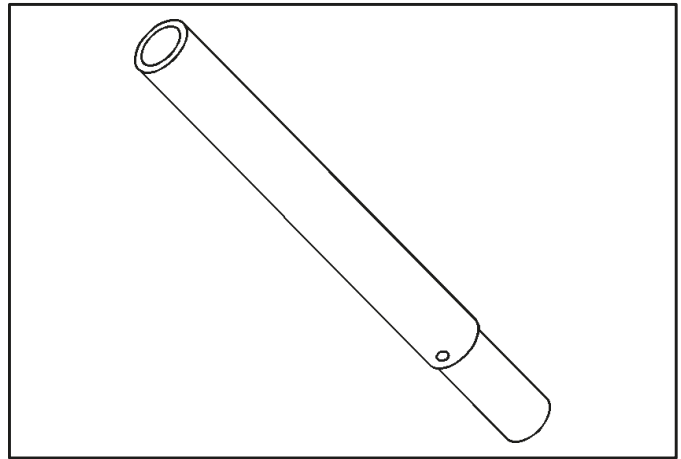


Figure 5-5

The Model 358 has been selected to show the step-by-step operating procedures for both models contained in this manual. These models, for practical purposes of operation, are the same.

These models store 20 qt. (18.9 L) of mix in each hopper. The mix flows by **gravity** from the hopper to the freezing cylinder through an air tube.

We begin our instructions at the point when we enter the store in the morning and find the parts disassembled and laid out to air-dry from the previous night's cleaning.

These opening procedures will show you how to assemble these parts into the freezer, sanitize them, and prime the freezer with **fresh** mix in preparation to serve your first portion.

If you are disassembling the machine for the first time or need information to get to this starting point in our instructions, turn to "Disassembly" on page 6-7 and start there.

Assembly

Note: When lubricating parts, use an approved food-grade lubricant (example: Taylor Lube).



WARNING! Make sure the power switch is in the OFF position before installing/removing any parts. Failure to follow this instruction may result in severe personal injury or electrocution.

1. Lubricate the groove and shaft portion that comes in contact with the bearing on the beater driveshaft. Slide the seal over the shaft and groove until it snaps into place. **Do not** lubricate the hex end of the driveshaft. Fill the inside portion of the seal with 1/4 in. (6.35 mm) more lubricant and lubricate the flat side of the seal that fits onto the rear shell bearing.

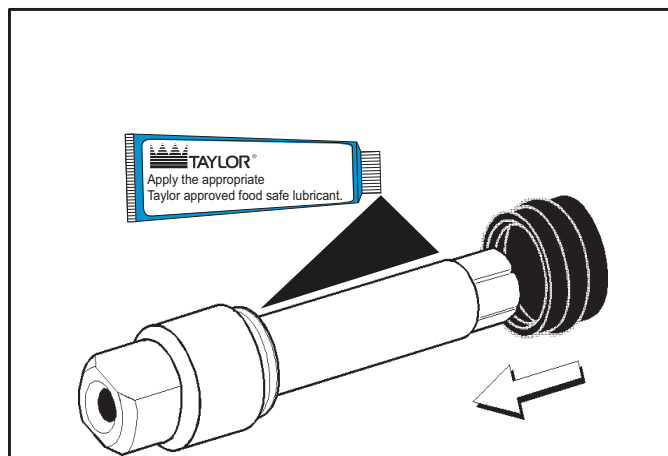


Figure 6-1

2. Install the driveshaft into the freezing cylinder, hex end first, and into the rear shell bearing until the seal fits securely over the rear shell bearing. Engage the hex end firmly into the drive coupling. Make sure the driveshaft fits into the drive coupling without binding.

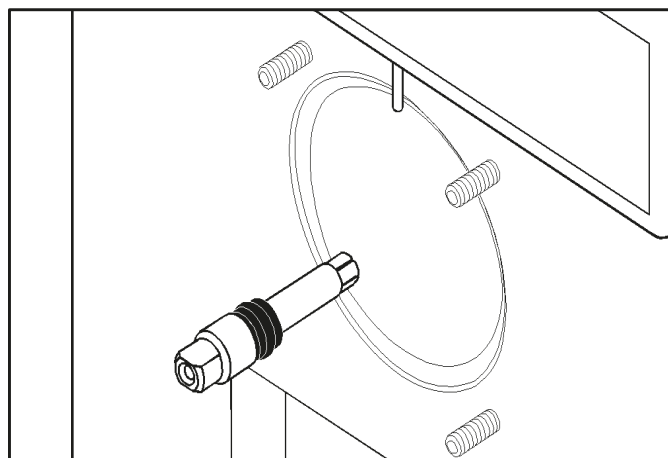


Figure 6-2

3. Before installing the beater assembly, inspect the scraper blades.

OPERATING PROCEDURES

Check the scraper blades for any signs of wear or damage. If a scraper blade is nicked or worn, replace both blades.

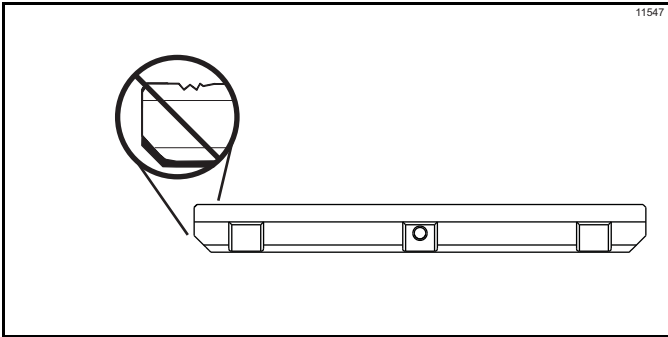


Figure 6-3

4. If the blades are in good condition, place the rear scraper blade over the rear holding pin on the beater.

Note: The hole on the scraper blade must fit securely over the pin to prevent damage.

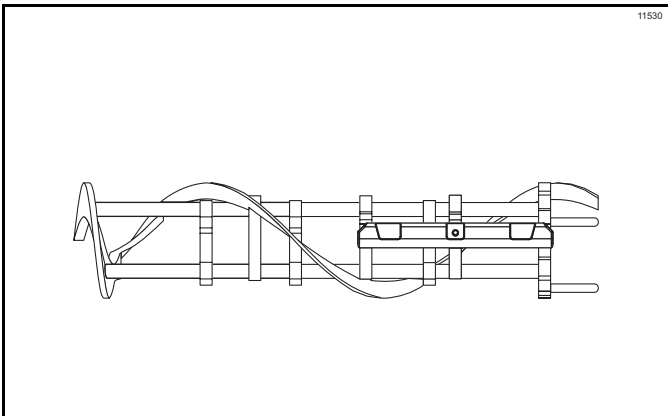


Figure 6-4

5. Holding the rear blade on the beater, slide the beater halfway into the freezing cylinder. Install the front scraper blade over the front holding pin. Slide the beater assembly the rest of the way into the freezing cylinder.

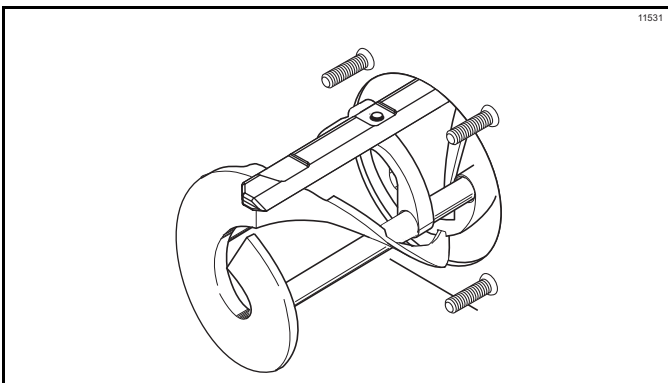


Figure 6-5

6. Make sure the beater assembly is in position over the driveshaft. Turn the beater slightly to make sure the beater is properly seated. When in position, the beater will not protrude beyond the front of the freezing cylinder.
7. Before assembling the freezer door, check the following for any nicks, cracks, or signs of wear: door bearing, door gasket, draw valve, O-rings, and all sides of the door assembly, including the inside of the draw valve bore. Replace any damaged parts.
8. Slide the two O-rings into the grooves on the draw valve and lubricate.

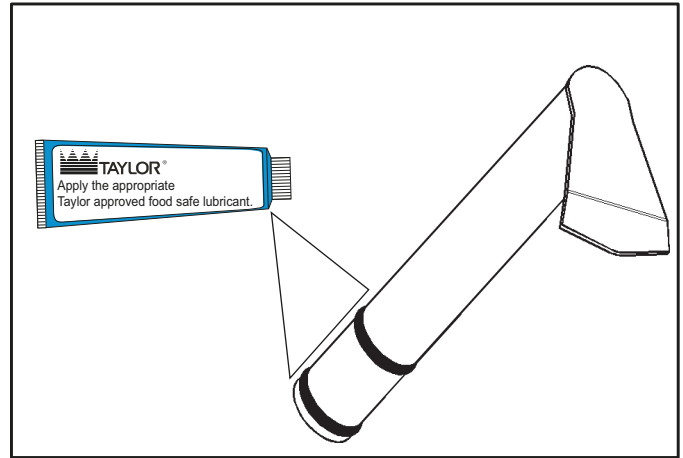


Figure 6-6

9. Lubricate the inside of the freezer door spout, top and bottom, and insert the draw valve into the freezer door from the top (THIS END UP).

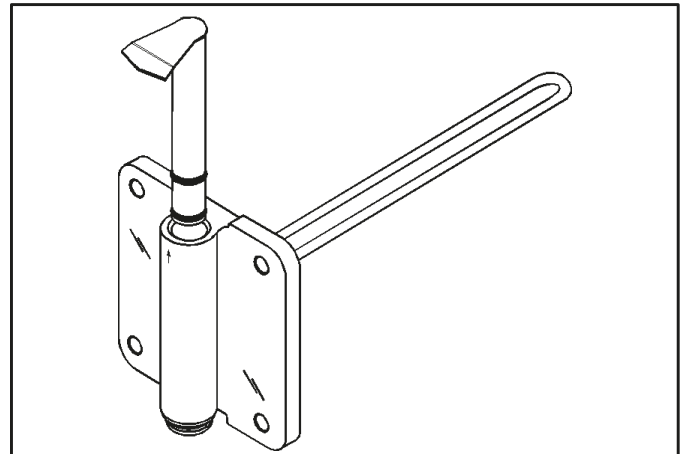


Figure 6-7

10. Place the freezer door gasket into the groove on the back of the freezer door. Slide the white plastic front bearing over the baffle rod onto the bearing hub, making sure the flanged end of the bearing is resting against the freezer door. **Do not lubricate the gasket or the front bearing.**

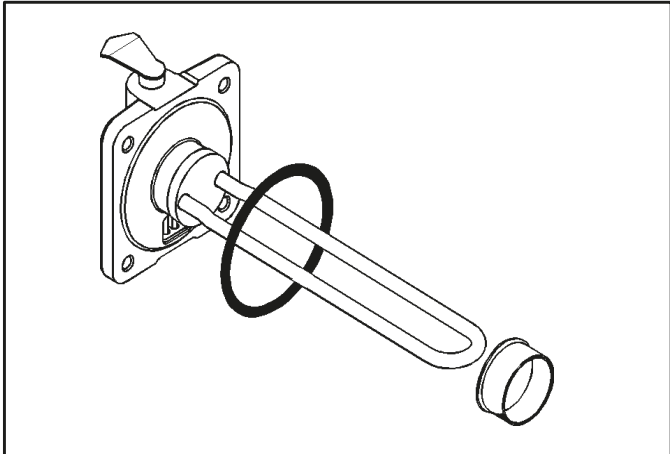


Figure 6-8

11. Insert the baffle rod through the opening in the beater and set the door flush with the freezing cylinder. With the door seated on the freezer studs, install the handscrews. Tighten the handscrews equally in a crisscross pattern to ensure the door is secure.

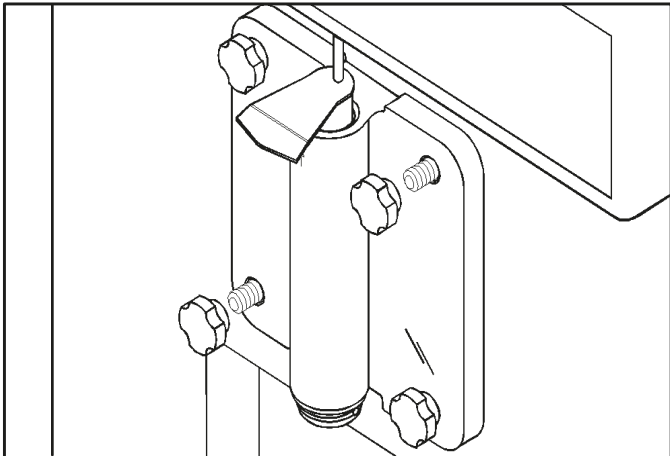


Figure 6-9

12. Lay the air tube in the bottom of the mix hopper for sanitizing.

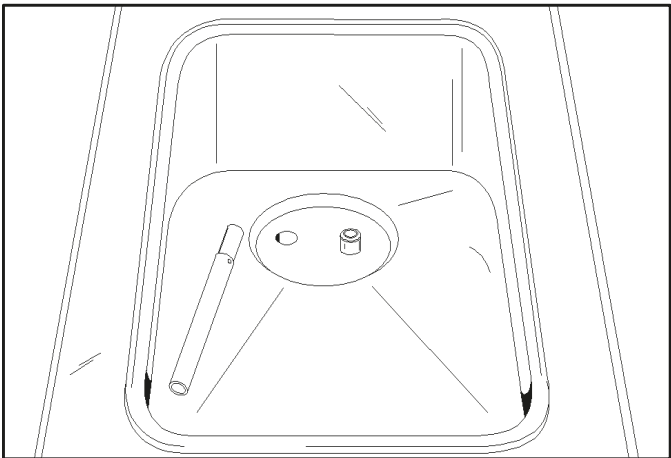


Figure 6-10

13. Slide the driveshaft drip pan into the hole in the front panel.

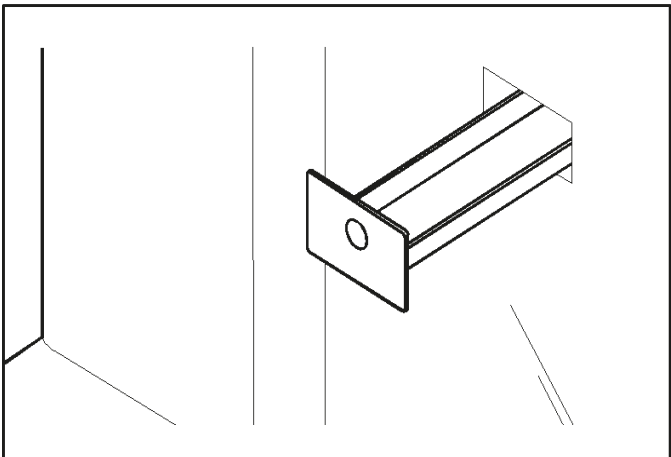


Figure 6-11

14. Repeat steps 1 through 13 for the other side of the freezer on the Model 359.

15. Install the front drip tray and splash shield under the door spout.

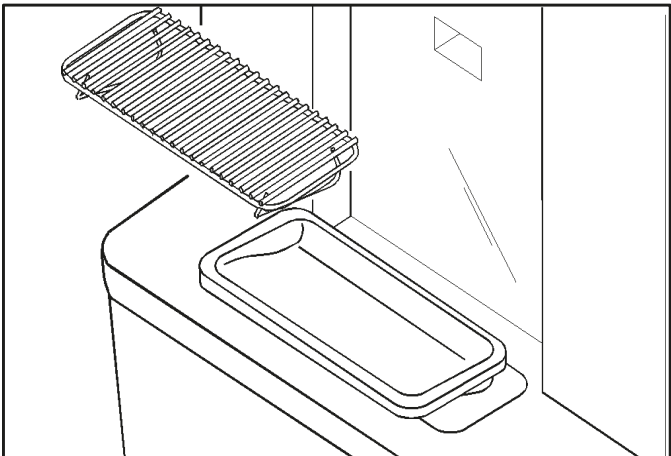


Figure 6-12

Sanitizing

1. Prepare an approved 100 ppm sanitizing solution (examples: 2-1/2 gal. [9.5 L] of Kay-5® or 2 gal. [7.6 L] of Stera-Sheen®). Use warm water and follow the manufacturer's specifications.
2. Pour the sanitizing solution into the hopper and allow it to flow into the freezing cylinder.

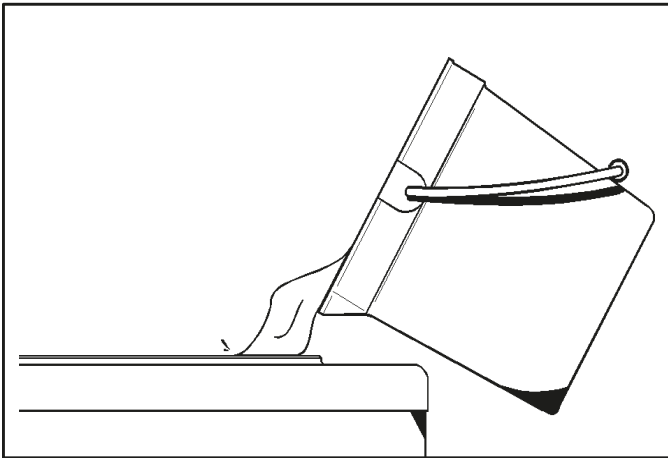


Figure 6-13

3. While the solution is flowing into the freezing cylinder, brush-clean the mix hopper. When cleaning the hopper, take particular care in brushing the mix-level sensing probe, mix inlet hole, and air tube.

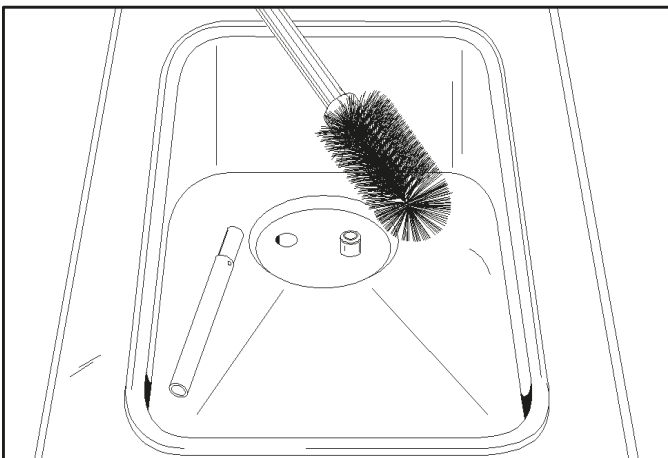


Figure 6-14

4. Place the power switch in the Wash position. This will cause the sanitizing solution in the freezing cylinder to be agitated. Allow it to agitate for 5 minutes.

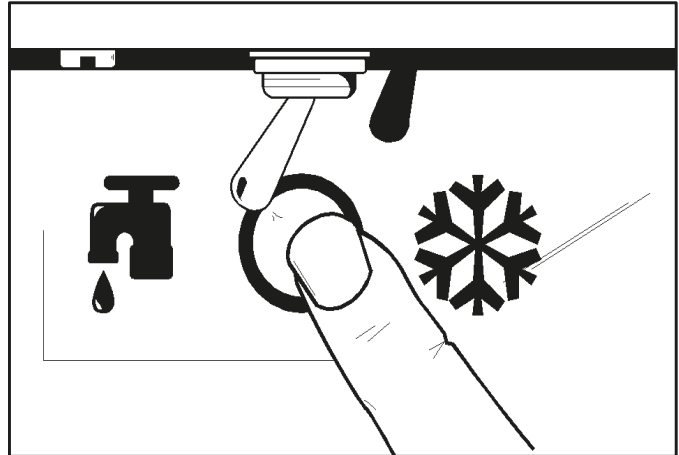


Figure 6-15

5. Place an empty pail beneath the door spout and raise the draw handle. Draw off all the sanitizing solution. When the sanitizer stops flowing from the door spout, lower the draw handle and place the power switch in the OFF position.

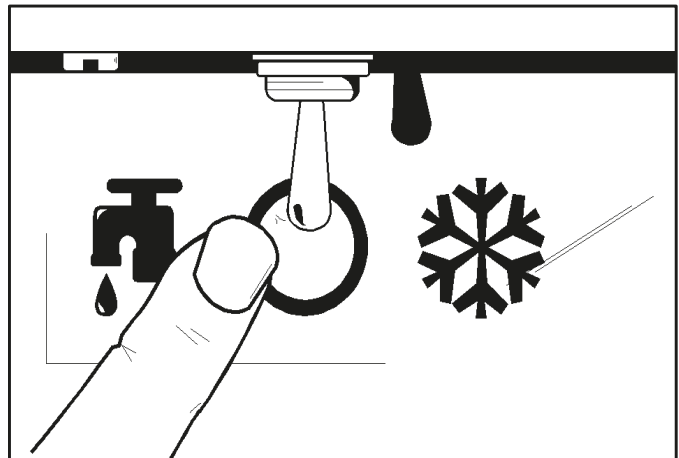


Figure 6-16

Important! The power switch must **not** be placed in the Auto position until all sanitizing solution has been removed from the freezing cylinder and proper priming procedures have been completed. Failure to follow this instruction may result in damage to the freezing cylinder.

Note: For a newly sanitized freezer, make sure your hands are sanitized before continuing with these instructions.

- Stand the air tube in the corner of the mix hopper.

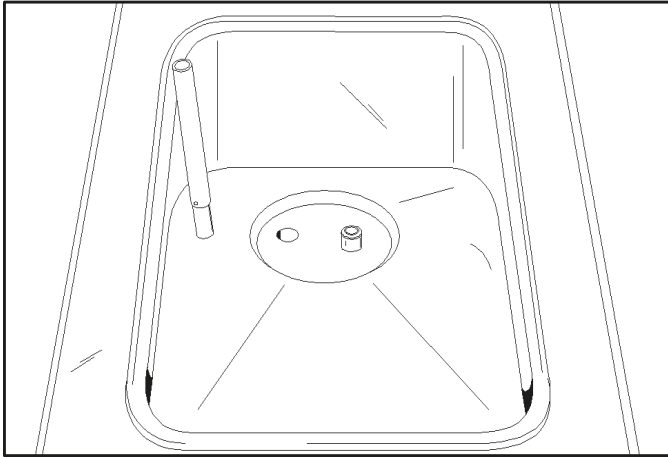


Figure 6-17

- Repeat steps 1 through 6 for the other side of the freezer on Model 359.

Priming

- With a pail beneath the door spout, raise the draw handle. Pour 2 gal. (7.6 L) of fresh mix into the mix hopper and allow it to flow into the freezing cylinder. This will force out any remaining sanitizing solution. When full-strength mix is flowing from the door spout, lower the draw handle.

Important! Failure to remove all sanitizing solution may result in damage to the freezing cylinder.

Note: Use only **fresh** mix when priming the freezer.

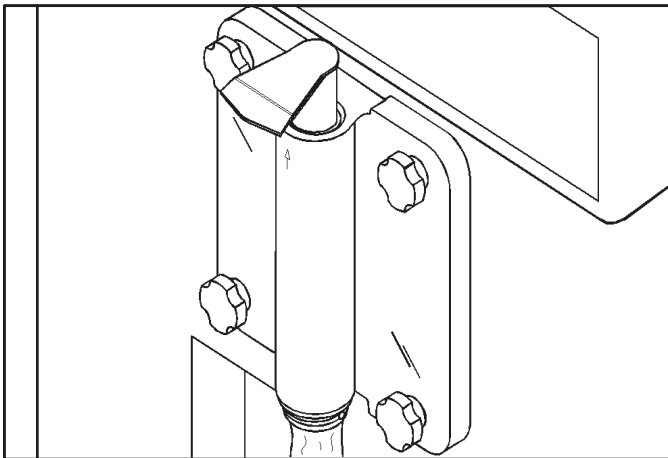


Figure 6-18

- When the mix stops bubbling down into the freezing cylinder, install the air tube in the mix inlet hole.

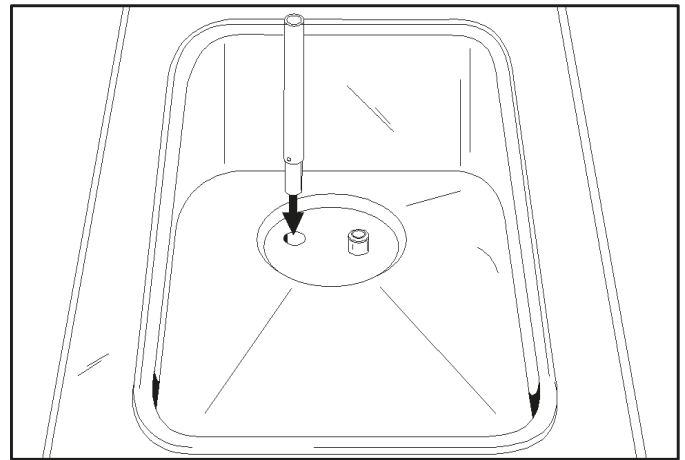


Figure 6-19

- Place the power switch in the Auto position. Raise the draw switch to activate the refrigeration system. When the machine cycles off, the product will be at serving viscosity.

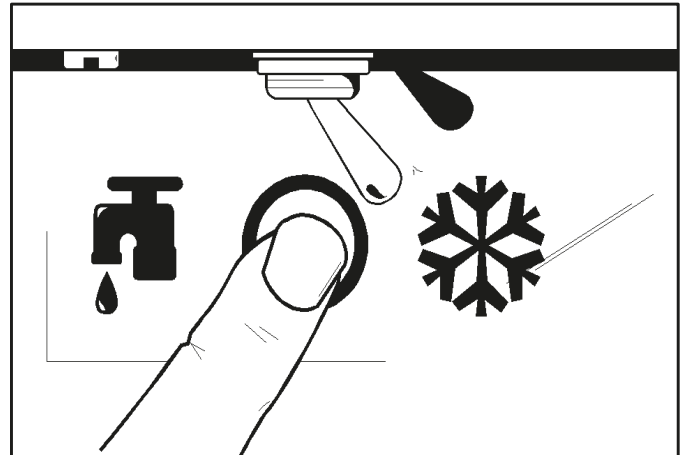


Figure 6-20

- Fill the hopper with **fresh** mix.
- Place the mix hopper cover in position over the mix hopper.

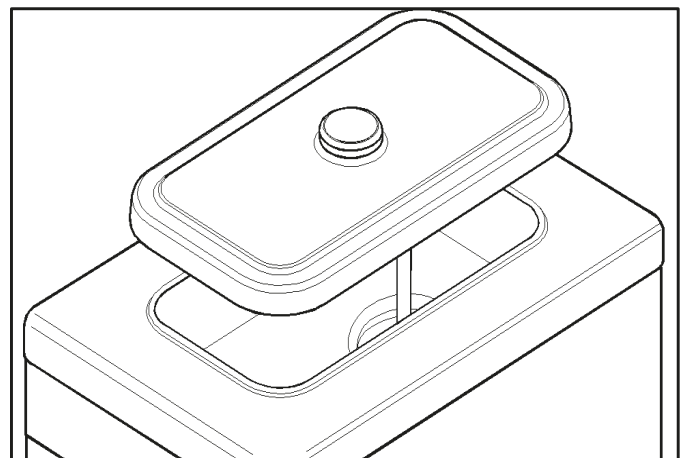


Figure 6-21

6. Repeat steps 1 through 5 for the other side of the freezer on the Model 359.

Closing Procedure

To disassemble your machine, the following items will be needed:

- Two cleaning pails
- Sanitized NSF-approved stainless-steel rerun can(s) with lid(s)
- Cleaning brushes (provided with freezer)
- Cleaner
- Single-service towels

Draining Product from Freezing Cylinder

1. Remove the hopper cover and the air tube. Take them to the sink for cleaning.
2. **If local health codes permit the use of rerun**, place a sanitized, NSF-approved stainless-steel rerun container beneath the door spout. Place the power switch in the Wash position. Raise the draw handle and drain the remaining product from the freezing cylinder and the mix hopper. When the flow of product stops, place the power switch in the OFF position and lower the draw handle. Place a sanitized lid on the rerun container and place it in the walk-in cooler.

Note: For additional information regarding the proper use of rerun, see *Troubleshooting Bacterial Count* on page 7-1.



ALWAYS FOLLOW LOCAL HEALTH CODES.

Important! If local health codes do not permit the use of rerun, the product must be discarded. Follow the instructions in the previous step, except drain the product into a pail and properly discard the mix.

3. Repeat step 1 through 2 for the other side of the freezer on Model 359.

Rinsing

1. Pour 2 gal. (7.6 L) of cool, clean water into the mix hopper. With the brushes provided, scrub the mix hopper, mix-level sensing probe, and mix inlet hole.
2. With a pail beneath the door spout, place the power switch in the Wash position and raise the draw handle. Drain all the rinse water from the freezing cylinder and the mix hopper. When the rinse water stops flowing from the door spout, lower the draw handle and place the power switch in the OFF position.

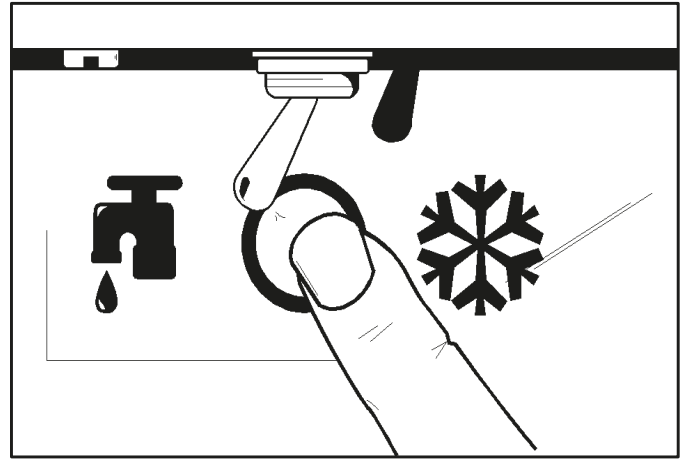


Figure 6-22

3. Repeat steps 1 and 2 until the rinse water being drawn from the freezing cylinder is clear.
4. Repeat step 1 through 3 for the other side of the freezer on Model 359.

Cleaning

1. Prepare an approved 100 ppm cleaning solution (examples: 2-1/2 gal. [9.5 L] of Kay-5® or 2 gal. [7.6 L] of Stera-Sheen®). Use warm water and follow the manufacturer's specifications.
2. Pour the cleaning solution into the mix hopper.

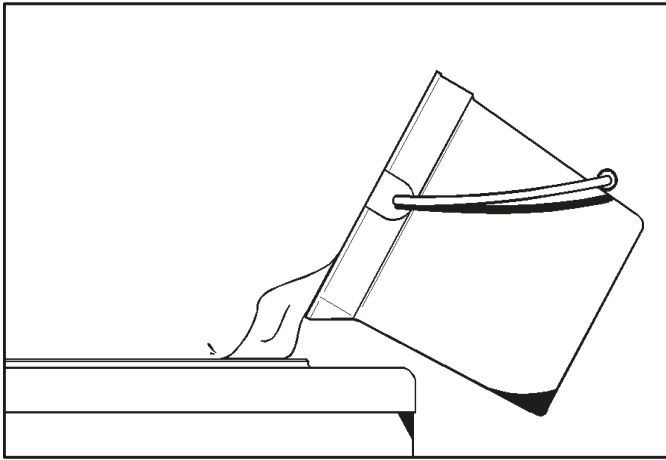


Figure 6-23

3. While the solution is flowing into the freezing cylinder, brush-clean the mix hopper, mix-level sensing probe, and mix inlet hole.
4. Place the power switch in the Wash position. This will cause the cleaning solution in the freezing cylinder to be agitated.
5. Place an empty pail beneath the door spout and raise the draw handle. Draw off all the cleaning solution. When the solution stops flowing from the door spout, lower the draw handle and place the power switch in the OFF position.
6. **Repeat steps 1 through 5** for the other side of the freezer on Model 359.

Disassembly



WARNING! Make sure the power switch is in the OFF position before installing/removing any parts. Failure to follow this instruction may result in severe personal injury or electrocution.

Remove the freezer door, beater, scraper blades, and driveshaft from the freezing cylinder. Take them to the sink for cleaning.

1. **Repeat for the other side** of the freezer on Model 359.
2. Remove the front drip tray and the splash shield.

Brush-Cleaning

1. Prepare a sink with an approved cleaning solution (example: Kay-5[®] or Stera-Sheen[®]). Use warm water and follow the manufacturer's specifications.

Important! Follow label directions, since too **strong** of a solution can cause parts damage, while too **mild** of a solution will not provide adequate cleaning. Make sure all brushes provided with the freezer are available for brush-cleaning.

2. Remove the seal(s) from the driveshaft(s).
3. From the freezer door(s), remove:
 - Gasket(s)
 - Front bearing(s)
 - Draw valve(s)

Remove all O-rings.

Note: To remove O-rings, use a single-service towel to grasp the O-ring. Apply pressure upward until the O-ring pops out of its groove. With the other hand, push the top of the O-ring forward. It will roll out of the groove and can be easily removed. If there is more than one O-ring to be removed, always remove the rear O-ring first. This will allow the O-ring to slide over the forward rings without falling into the open grooves.

4. Return to the freezer with a small amount of cleaning solution. With the black bristle brush, brush-clean the rear shell bearing(s) at the back of the freezing cylinder(s).

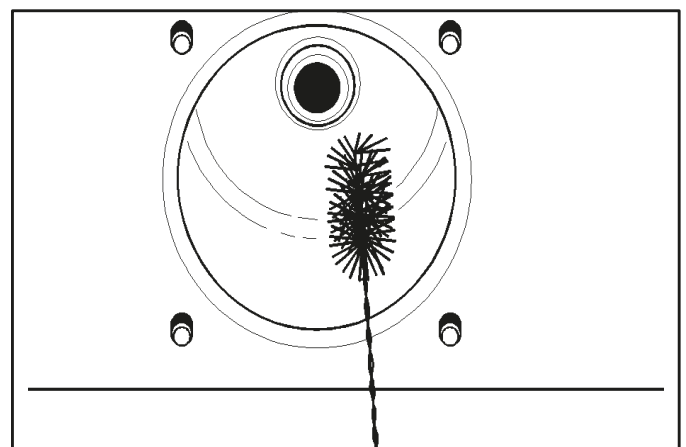


Figure 6-24

OPERATING PROCEDURES

5. Remove the driveshaft drip pan(s) from the front panel and take to the sink for cleaning.

Note: *If the driveshaft drip pan is filled with an excessive amount of mix, refer to the Troubleshooting Guide.*

6. Thoroughly brush-clean all disassembled parts in the cleaning solution, making sure all lubricant and mix film is removed. Take particular care to brush-clean the draw valve core in the freezer door. Place all the cleaned parts on a clean, dry surface to air-dry overnight.
7. Wipe clean all exterior surfaces of the freezer.

During Cleaning and Sanitizing



ALWAYS FOLLOW LOCAL HEALTH CODES.

Note: *Cleaning and sanitizing schedules are governed by federal, state, or local regulatory agencies, and must be followed accordingly. If the machine has a Standby mode, it must not be used instead of proper cleaning and sanitizing procedures and frequencies set forth by the ruling health authority. The following checkpoints should be stressed during the cleaning and sanitizing operations.*



IMPORTANT! *Cleaning and sanitizing must be performed daily.*

Troubleshooting Bacterial Count

- Thoroughly clean and sanitize the machine regularly, including complete disassembly and brush-cleaning.
 - Use all brushes supplied for thorough cleaning. The brushes are specially designed to reach all mix passageways.
 - Use the white bristle brush to clean the mix inlet hole which extends from the mix hopper down to the rear of the freezing cylinder.
 - Use the black bristle brush to thoroughly clean the rear shell bearing at the rear of the freezing cylinder. Use a generous amount of cleaning solution on the brush.
 - If local health codes permit the use of rerun**, make sure the mix rerun is stored in a sanitized, covered, NSF-approved stainless-steel rerun container and used the following day. **Do not** prime the machine with rerun. When using rerun, skim off the foam and discard. Then mix the rerun with **fresh** mix in a ratio of 50:50 during the day's operation.
- On a designated day of the week, run the mix as low as feasible and discard after closing. This will break the rerun cycle and reduce the possibility of high bacteria and coliform counts.
 - Properly prepare the cleaning and sanitizing solutions. Read and follow the label directions carefully. Too **strong** of a solution may damage the parts, and too **weak** of a solution will not do an adequate job of cleaning or sanitizing.
 - Temperature of mix in the mix hopper and walk-in cooler should be below 40°F (4.4°C).

Regular Maintenance Checks

- Replace scraper blades that are nicked or damaged. Before installing the beater, make sure the scraper blades are properly attached.
- Check the rear shell bearing for signs of wear (excessive mix leakage in the driveshaft drip pan) and make sure it is properly cleaned.
- Using a screwdriver and cloth towel, clean the rear shell bearing and the female hex drive socket of lubricant and mix deposits.
- Dispose of O-rings and seals if they are worn, torn, or fit too loosely, and replace them with new ones.
- Follow all lubricating procedures as outlined in Assembly on page 6-1.



WARNING! Always disconnect electrical power prior to cleaning the condenser. Failure to follow this instruction may result in electrocution.

- If your machine is air-cooled, check the condenser for dirt and lint. Dirty condensers will reduce the efficiency and capacity of the machine. Condensers should be cleaned **monthly** with a soft brush. **Never** use screwdrivers or other metal probes to clean between the fins.
- For machines equipped with an air filter, it will be necessary to vacuum-clean the filters monthly.

Winter Storage

If the place of business is to be closed during the winter months, it is important to protect the freezer by following certain precautions, particularly if the building is subject to freezing conditions.

Disconnect the freezer from the main power source to prevent possible electrical damage.

On water-cooled freezers, disconnect the water supply. Use air pressure to blow out any water remaining in the condensers.

Important! Failure to follow this procedure may cause severe damage to the refrigeration system.

Your local Taylor distributor can perform this service for you.

Wrap detachable parts of the freezer (such as beater, blades, driveshaft, and freezer door) and place these parts in a protected, dry place. Rubber trim parts and gaskets can be protected by wrapping them with moisture-proof paper. All parts should be thoroughly cleaned of dried mix or lubrication, which can attract mice and other vermin.

Table 8-1

Problem	Probable Cause	Remedy	Page Ref.
1. No product is being dispensed with the draw valve open and the machine in the Auto mode.	a. Beater motor is out on reset.	a. Reset the freezer.	5-2
	b. Circuit breaker tripped to OFF or blown fuse.	b. Turn breaker to ON position or replace fuse.	--
	c. Inadequate mix in the mix hopper.	c. Fill the mix hopper with mix.	6-5
	d. Freeze-up in mix inlet hole.	d. Contact a Taylor service technician to adjust the mix hopper temperature.	--
	e. Beater is rotating counterclockwise (from operator end).	e. Contact a Taylor service technician to correct rotation to clockwise.	--
2. The product is too stiff.	a. Inadequate mix in hopper.	a. Fill the hopper with mix.	6-5
	b. Thermistor control is set too cold.	b. Contact a Taylor service technician.	--
3. The product is too soft.	a. Worn scraper blades.	a. Replace regularly.	6-1
	b. Not enough airspace is around the machine.	b. Allow for adequate airflow across the condenser.	1-1
	c. Dirty condenser.	c. Clean monthly.	7-2
	d. Out-of-date mix.	d. Use only fresh mix.	--
	e. Thermistor control is set too warm.	e. Contact a Taylor service technician.	--
4. The mix in the mix hopper is too cold.	a. The temperature is out of adjustment.	a. Contact a Taylor service technician.	--
5. The mix in the mix hopper is too warm.	a. The mix hopper cover is not in position.	a. Place the hopper cover in the correct position.	6-6
	b. Warm mix was placed in the hopper.	b. Mix should be below 40°F (4.4°C) when placed in hopper.	7-1
	c. The temperature is out of adjustment.	c. Contact a Taylor service technician.	--
6. The driveshaft is stuck in the drive coupling.	a. Mix and lubricant is collected in the drive coupling.	a. Brush-clean the rear shell bearing area regularly.	6-8
	b. Rounded corners of driveshaft, coupling, or both.	b. Call a Taylor service technician to correct the cause and replace the necessary components. Do not lubricate the hex end of the driveshaft.	--
7. The freezing cylinder walls are scored.	a. Scraper blades are damaged.	a. Replace scraper blades.	6-1 / 6-2
	b. Machine was placed in Auto before all sanitizing solution was removed from freezing cylinder.	b. Place machine in Auto only after priming is complete and all sanitizing solution has been removed.	6-3 / 6-5
	c. Missing or worn front bearing on freezer door.	c. Install or replace the front bearing.	6-3
	d. The beater assembly is bent.	d. Call a Taylor service technician to repair or replace the beater and to correct cause of insufficient mix in freezing cylinder.	--

TROUBLESHOOTING GUIDE

Problem	Probable Cause	Remedy	Page Ref.
8. Excessive mix leakage in the driveshaft drip pan.	a. Missing or worn driveshaft seal on driveshaft.	a. Install or replace regularly.	6-1
	b. The driveshaft seal is installed inside out.	b. Install the seal properly.	6-1
	c. Lack of lubrication.	c. Lubricate properly.	6-1
	d. Worn rear shell bearing.	d. Contact a Taylor service technician to replace the rear shell bearing.	--
9. Excessive mix leakage from the door spout.	a. Missing or worn draw valve O-rings.	a. Install or replace regularly.	6-2
	b. Inadequate lubrication of draw valve O-rings.	b. Lubricate properly.	6-2
	c. Wrong type of lubricant is being used (example: petroleum-based lubricant).	c. Use proper lubricant (example: Taylor Lube).	6-1
10.No freezer operation after placing the machine in Auto.	a. The machine is unplugged.	a. Plug into wall receptacle.	--
	b. There is no mix in the mix hopper.	b. Fill the mix hopper with mix.	6-5
	c. Circuit breaker tripped to OFF or blown fuse.	c. Turn breaker to ON position or replace fuse.	--
	d. Beater motor out on reset.	d. Reset the freezer.	5-2
11.Product is not feeding into the freezing cylinder.	a. Inadequate level of mix in the mix hopper.	a. Fill the mix hopper with mix.	6-5
	b. Mix inlet hole frozen up.	b. Mix hopper temperature needs adjustment. Contact a Taylor service technician.	--

Section 9

Parts Replacement Schedule

Table 9-1

Part Description	Every 3 Months	Every 4 Months	Every 6 Months	Annually	358 Qty.	359 Qty.
Driveshaft Seal	X				1	2
Scraper Blade		X			2	4
Freezer Door Gasket	X				1	2
Front Bearing	X				1	2
Draw Valve O-ring	X				2	4
Black Bristle Brush - 1" x 2"			Inspect and replace if necessary.	Minimum	1	1
Double-Ended Brush			Inspect and replace if necessary.	Minimum	1	1
White Bristle Brush - 1" x 2"			Inspect and replace if necessary.	Minimum	1	1
White Bristle Brush - 3" x 7"			Inspect and replace if necessary.	Minimum	1	1

TAYLOR COMPANY LIMITED WARRANTY ON FREEZERS

Taylor Company is pleased to provide this limited warranty on new Taylor-branded freezer equipment available from Taylor to the market generally (the "Product") to the original purchaser only.

LIMITED WARRANTY

Taylor warrants the Product against failure due to defect in materials or workmanship under normal use and service as follows. All warranty periods begin on the date of original Product installation. If a part fails due to defect during the applicable warranty period, Taylor, through an authorized Taylor distributor or service agency, will provide a new or remanufactured part, at Taylor's option, to replace the failed defective part at no charge for the part. Except as otherwise stated herein, these are Taylor's exclusive obligations under this limited warranty for a Product failure. This limited warranty is subject to all provisions, conditions, limitations, and exclusions listed below and on the reverse (if any) of this document.

Product	Part	Limited Warranty Period
Soft Serve	Insulated shell assembly	Five (5) years
Frozen Yogurt Shakes	Refrigeration compressor (except service valve)	Five (5) years
Smoothies	Beater motors	Two (2) years
Frozen Beverage	Beater drive gear	Two (2) years
Batch Desserts	Printed circuit boards and Softech controls beginning with serial number H8024200	Two (2) years
	Parts not otherwise listed in this table or excluded below	One (1) years

LIMITED WARRANTY CONDITIONS

1. If the date of original installation of the Product cannot be verified, then the limited warranty period begins ninety (90) days from the date of Product manufacture (as indicated by the Product serial number). Proof of purchase may be required at time of service.
2. This limited warranty is valid only if the Product is installed and all required service work on the Product is performed by an authorized Taylor distributor or service agency, and only if genuine, new Taylor parts are used.
3. Installation, use, care, and maintenance must be normal and in accordance with all instructions contained in the Taylor Operator's Manual.
4. Defective parts must be returned to the authorized Taylor distributor or service agency for credit.
5. The use of any refrigerant other than that specified on the Product's data label will void this limited warranty.

LIMITED WARRANTY EXCEPTIONS

This limited warranty does **not** cover:

1. Labor or other costs incurred for diagnosing, repairing, removing, installing, shipping, servicing, or handling of defective parts, replacement parts, or new Products.
2. Normal maintenance, cleaning, and lubrication as outlined in the Taylor Operator's Manual, including cleaning of condensers.
3. Replacement of wear items designated as Class "000" parts in the Taylor Operator's Manual.
4. External hoses, electrical power supplies, and machine grounding.

LIMITED WARRANTY ON EQUIPMENT

5. Parts not supplied or designated by Taylor, or damages resulting from their use.
6. Return trips or waiting time required because a service technician is prevented from beginning warranty service work promptly upon arrival.
7. Failure, damage, or repairs due to faulty installation, misapplication, abuse, no or improper servicing, unauthorized alteration, or improper operation or use as indicated in the Taylor Operator's Manual, including but not limited to the failure to use proper assembly and cleaning techniques, tools, or approved cleaning supplies.
8. Failure, damage, or repairs due to theft, vandalism, wind, rain, flood, high water, water, lightning, earthquake, or any other natural disaster, fire, corrosive environments, insect or rodent infestation, or other casualty, accident or condition beyond the reasonable control of Taylor; operation above or below the electrical or water supply specification of the Product; or components repaired or altered in any way so as, in the judgment of the Manufacturer, to adversely affect performance, or normal wear or deterioration.
9. Any Product purchased over the Internet.
10. Failure to start due to voltage conditions, blown fuses, open circuit breakers, or damages due to the inadequacy or interruption of electrical service.
11. Electricity or fuel costs, or increases in electricity or fuel costs from any reason whatsoever.
12. Damages resulting from the use of any refrigerant other than that specified on the Product's data label will void this limited warranty.
13. Any cost to replace, refill, or dispose of refrigerant, including the cost of refrigerant.
14. **ANY SPECIAL, INDIRECT, OR CONSEQUENTIAL PROPERTY OR COMMERCIAL DAMAGE OF ANY NATURE WHATSOEVER.** Some jurisdictions do not allow the exclusion of incidental or consequential damages, so this limitation may not apply to you.

This limited warranty gives you specific legal rights, and you may also have other rights which vary from jurisdiction to jurisdiction.

LIMITATION OF WARRANTY

THIS LIMITED WARRANTY IS EXCLUSIVE AND IS IN LIEU OF ALL OTHER WARRANTIES, CONDITIONS, AND/OR REMEDIES UNDER THE LAW, INCLUDING ANY IMPLIED WARRANTIES OR CONDITIONS OF MERCHANTABILITY OR FITNESS FOR A PARTICULAR PURPOSE. THE ORIGINAL OWNER'S SOLE REMEDY WITH RESPECT TO ANY PRODUCTS SHALL BE REPAIR OR REPLACEMENT OF DEFECTIVE COMPONENTS UNDER THE TERMS OF THIS LIMITED WARRANTY. ALL RIGHTS TO CONSEQUENTIAL OR INCIDENTAL DAMAGES (INCLUDING CLAIMS FOR LOST SALES, LOST PROFITS, PRODUCT LOSS, PROPERTY DAMAGES, OR SERVICE EXPENSES) ARE EXPRESSLY EXCLUDED. THE EXPRESS WARRANTIES MADE IN THIS LIMITED WARRANTY MAY NOT BE ALTERED, ENLARGED, OR CHANGED BY ANY DISTRIBUTOR, DEALER, OR OTHER PERSON, WHATSOEVER.

LEGAL REMEDIES

The owner **must** notify Taylor in writing, by certified or registered letter to the following address, of any defect or complaint with the Product, stating the defect or complaint and a specific request for repair, replacement, or other correction of the Product under warranty, mailed at least thirty (30) days before pursuing any legal rights or remedies.

Taylor Company
750 N. Blackhawk Blvd.
Rockton, IL 61072, U.S.A.

TAYLOR COMPANY LIMITED WARRANTY ON TAYLOR GENUINE PARTS

Taylor Company is pleased to provide this limited warranty on new Taylor genuine replacement components and parts available from Taylor to the market generally (the “Parts”) to the original purchaser only.

LIMITED WARRANTY

Taylor warrants the Parts against failure due to defect in materials or workmanship under normal use and service as follows. All warranty periods begin on the date of original installation of the Part in the Taylor unit. If a Part fails due to defect during the applicable warranty period, Taylor, through an authorized Taylor distributor or service agency, will provide a new or remanufactured Part, at Taylor’s option, to replace the failed defective Part at no charge for the Part. Except as otherwise stated herein, these are Taylor’s exclusive obligations under this limited warranty for a Part failure. This limited warranty is subject to all provisions, conditions, limitations, and exclusions listed below and on the reverse (if any) of this document.

Table 11-1

Parts Warranty Class Code or Part	Limited Warranty Period
Class 103 Parts ¹	Three (3) Months
Class 212 Parts ²	Twelve (12) Months
Class 512 Parts	Twelve (12) Months
Class 000 Parts	No Warranty

LIMITED WARRANTY CONDITIONS

1. If the date of original installation of the Part cannot be otherwise verified, proof of purchase may be required at time of service.
2. This limited warranty is valid only if the Part is installed and all required service work in connection with the Part is performed by an authorized Taylor distributor or service agency.
3. The limited warranty applies only to Parts remaining in use by their original owner at their original installation location in the unit of original installation.
4. Installation, use, care, and maintenance must be normal and in accordance with all instructions contained in the Taylor Operator’s Manual.
5. Defective Parts must be returned to the authorized Taylor distributor or service agency for credit.
6. This warranty is not intended to shorten the length of any warranty coverage provided pursuant to a separate Taylor Limited Warranty on freezer or grill equipment.
7. The use of any refrigerant other than that specified for the unit in which the Part is installed will void this limited warranty.

^{1, 2} Except that Taylor Part #032129SER2 (Compressor-Air-230V SERV) and Taylor Part #075506SER1 (Compressor-Air-115V 60HZ) shall have a limited warranty period of twelve (12) months when used in Taylor freezer equipment and a limited warranty period of two (2) years when used in Taylor grill equipment.

LIMITED WARRANTY ON PARTS

LIMITED WARRANTY EXCEPTIONS

This limited warranty does **not** cover:

1. Labor or other costs incurred for diagnosing, repairing, removing, installing, shipping, servicing, or handling of defective Parts, replacement Parts, or new Parts.
2. Normal maintenance, cleaning, and lubrication as outlined in the Taylor Operator's Manual, including cleaning of condensers or carbon and grease buildup.
3. Required service, whether cleaning or general repairs, to return the cooking surface assemblies, including the upper platen and lower plate, to an operational condition to achieve proper cooking or allow proper assembly of release sheets and clips as a result of grease buildup on the cooking surfaces, including but not limited to the platen and plate, sides of the shroud, or top of the shroud.
4. Replacement of cooking surfaces, including the upper platen and lower plate, due to pitting or corrosion (or in the case of the upper platen, due to loss of plating) as a result of damage due to the impact of spatulas or other small wares used during the cooking process or as a result of the use of cleaners, cleaning materials, or cleaning processes not approved for use by Taylor.
5. Replacement of wear items designated as Class "000" Parts in the Taylor Operator's Manual, as well as any release sheets and clips for the Product's upper platen assembly.
6. External hoses, electrical power supplies, and machine grounding.
7. Parts not supplied or designated by Taylor, or damages resulting from their use.
8. Return trips or waiting time required because a service technician is prevented from beginning warranty service work promptly upon arrival.
9. Failure, damage, or repairs due to faulty installation, misapplication, abuse, no or improper servicing, unauthorized alteration, or improper operation or use as indicated in the Taylor Operator's Manual, including but not limited to the failure to use proper assembly and cleaning techniques, tools, or approved cleaning supplies.
10. Failure, damage, or repairs due to theft, vandalism, wind, rain, flood, high water, water, lightning, earthquake, or any other natural disaster, fire, corrosive environments, insect or rodent infestation, or other casualty, accident or condition beyond the reasonable control of Taylor; operation above or below the gas, electrical, or water supply specification of the unit in which a part is installed; or Parts or the units in which they are installed, repaired, or altered in any way so as, in the judgment of Taylor, to adversely affect performance, or normal wear or deterioration.
11. Any Part purchased over the Internet.
12. Failure to start due to voltage conditions, blown fuses, open circuit breakers, or damages due to the inadequacy or interruption of electrical service.
13. Electricity, gas, or other fuel costs, or increases in electricity or fuel costs from any reason whatsoever.
14. Damages resulting from the use of any refrigerant other than that specified for the unit in which the Part is installed will void this limited warranty.
15. Any cost to replace, refill, or dispose of refrigerant, including the cost of refrigerant.
16. **ANY SPECIAL, INDIRECT, OR CONSEQUENTIAL PROPERTY OR COMMERCIAL DAMAGE OF ANY NATURE WHATSOEVER.** Some jurisdictions do not allow the exclusion of incidental or consequential damages, so this limitation may not apply to you.

This limited warranty gives you specific legal rights, and you may also have other rights which vary from jurisdiction to jurisdiction.

LIMITATION OF WARRANTY

THIS LIMITED WARRANTY IS EXCLUSIVE AND IS IN LIEU OF ALL OTHER WARRANTIES, CONDITIONS, AND/OR REMEDIES UNDER THE LAW, INCLUDING ANY IMPLIED WARRANTIES OR CONDITIONS OF MERCHANTABILITY OR FITNESS FOR A PARTICULAR PURPOSE. THE ORIGINAL OWNER'S SOLE REMEDY WITH RESPECT TO ANY PRODUCTS SHALL BE REPAIR OR REPLACEMENT OF DEFECTIVE PARTS UNDER THE TERMS OF THIS LIMITED WARRANTY. ALL RIGHTS TO CONSEQUENTIAL OR INCIDENTAL DAMAGES (INCLUDING CLAIMS FOR LOST SALES, LOST PROFITS, PRODUCT LOSS, PROPERTY DAMAGES, OR SERVICE EXPENSES) ARE EXPRESSLY EXCLUDED. THE EXPRESS WARRANTIES MADE IN THIS LIMITED WARRANTY MAY NOT BE ALTERED, ENLARGED, OR CHANGED BY ANY DISTRIBUTOR, DEALER, OR OTHER PERSON, WHATSOEVER.

LEGAL REMEDIES

The owner **must** notify Taylor in writing by certified or registered letter to the following address of any defect or complaint with the Part, stating the defect or complaint and a specific request for repair, replacement, or other correction of the Part under warranty, mailed at least thirty (30) days before pursuing any legal rights or remedies.

Taylor Company
750 N. Blackhawk Blvd.
Rockton, IL 61072, U.S.A.

